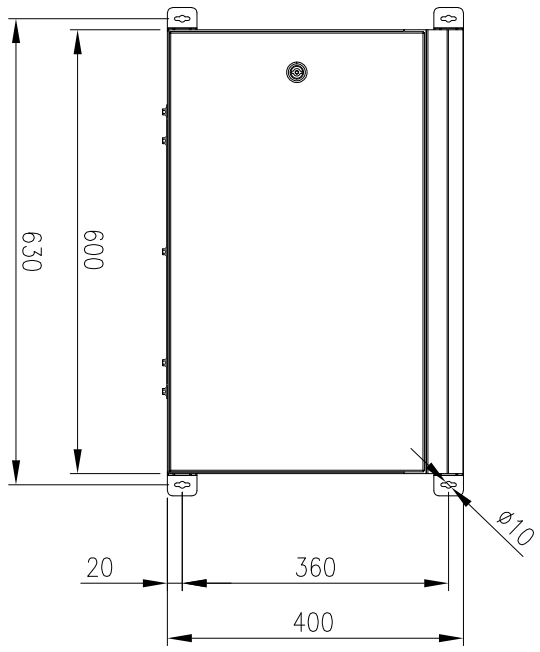
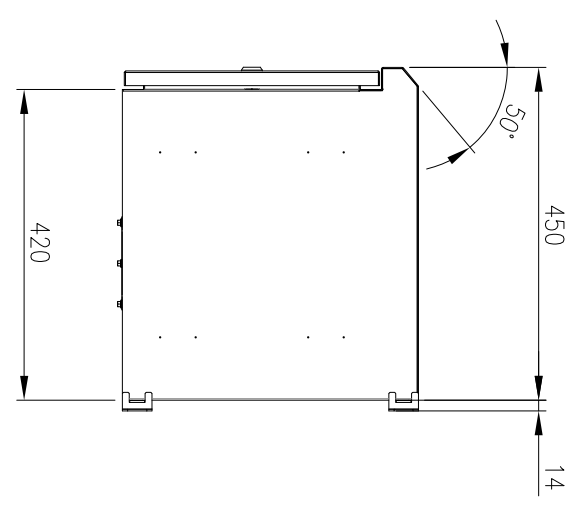


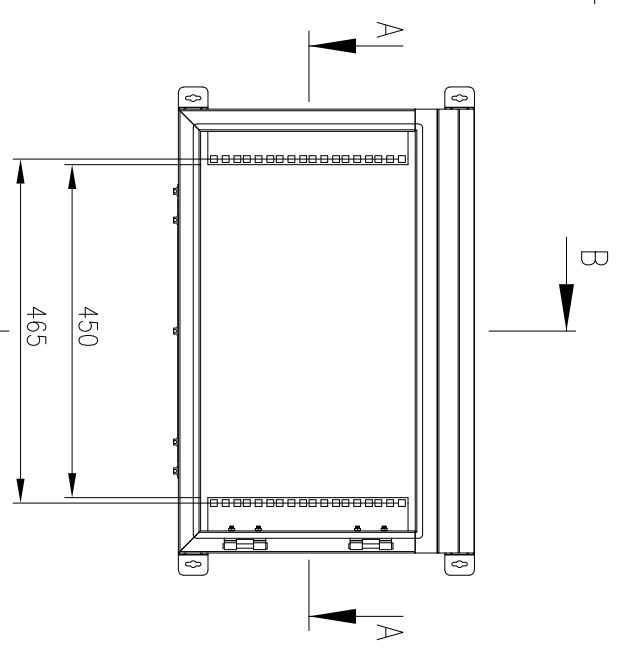
PLAN



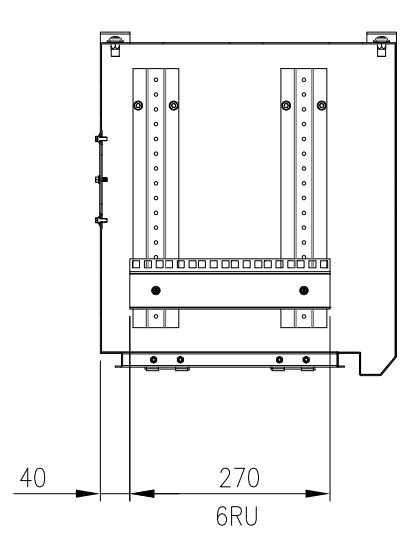
FRONT VIEW



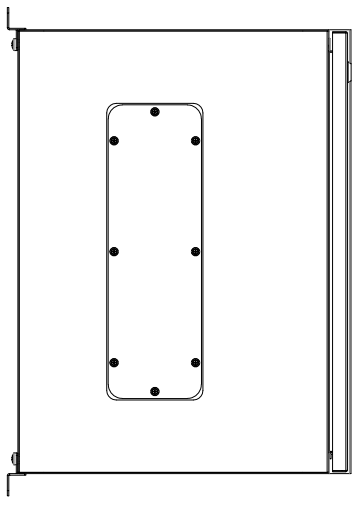
SIDE VIEW



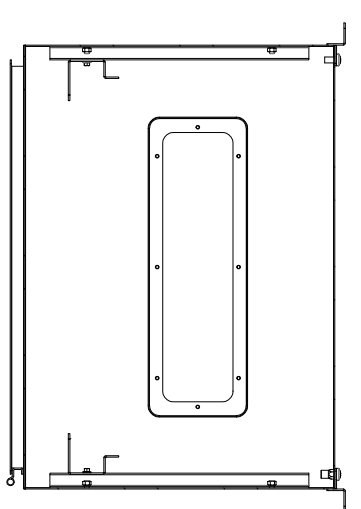
FRONT VIEW - DOOR REMOVED



SECTION BB



BOTTOM VIEW



SECTION AA

**MATERIAL**  
 BODY: MARINE GRADE ALUMINIUM  
 DOOR: MARINE GRADE ALUMINIUM  
 19" RAILS: 1.5mm GALVANISED STEEL SHEET  
 SEAL: POLYURETHANE

PROTECTION: IP66  
 STANDARD: EIA-310-D, IEC/EN/AS60529

© IP ENCLOSURES 2016.  
 THIS DRAWING SHALL NOT BE COPIED OR REPRODUCED  
 WITHOUT AUTHORISATION FROM IP ENCLOSURES.  
 www.ipenclosures.com.au

Item#	Quantity	PartName, designation, material, dimension etc.	Article No/Reference	Scale
IP		Designed by		1:10
IP		Checked by		
IP		Approved by - date		
		03/08/21		
		Filename		
		IP-ADWGRU45		
		Date		
		03/08/21		
		ALUMINIUM 6RU 19" DATA RACK 450 DEEP		
		IP-ADWGRU45		
		Edition		
		0		
		Sheet		
		1/1		