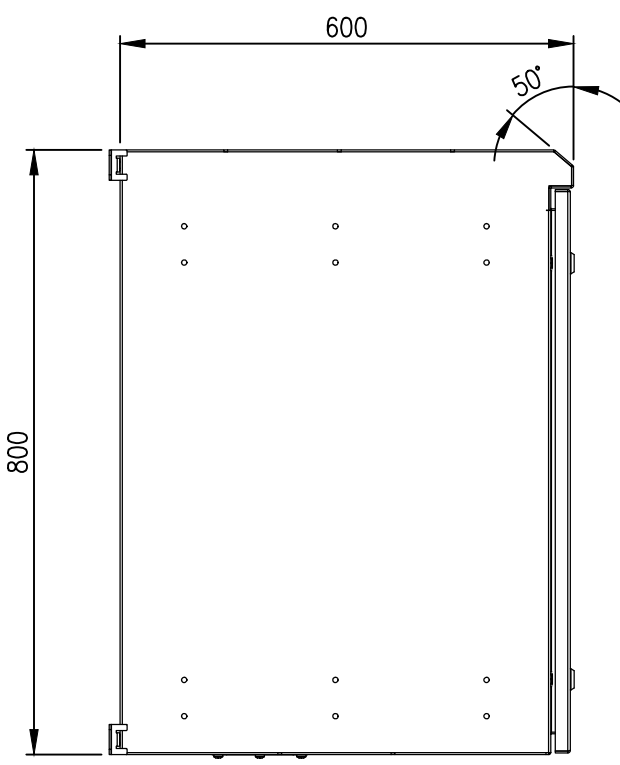
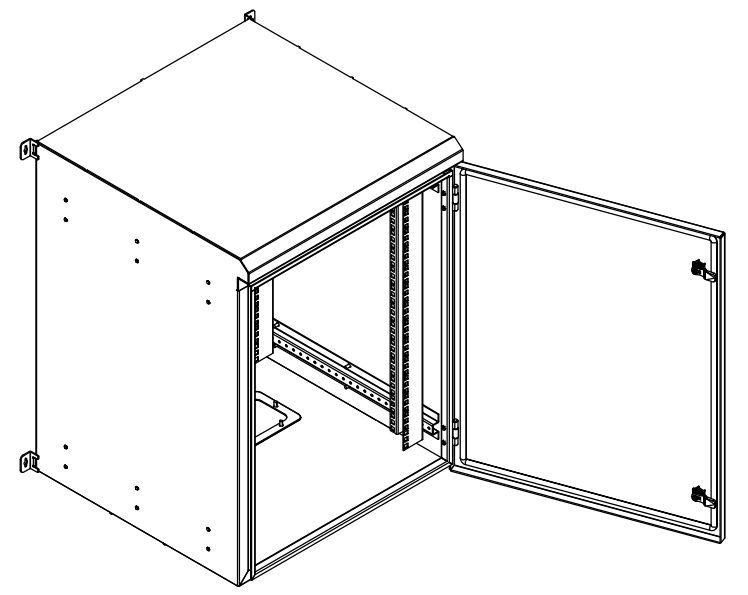
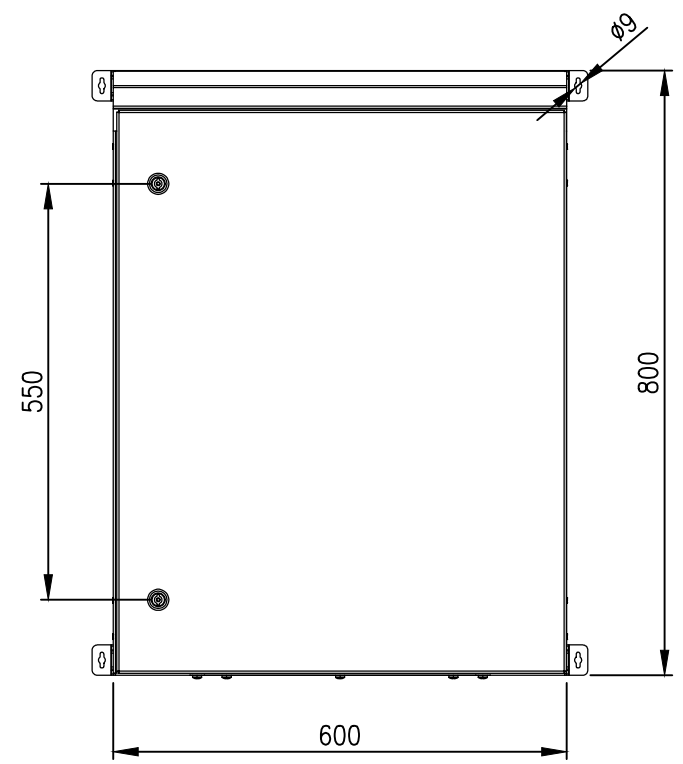


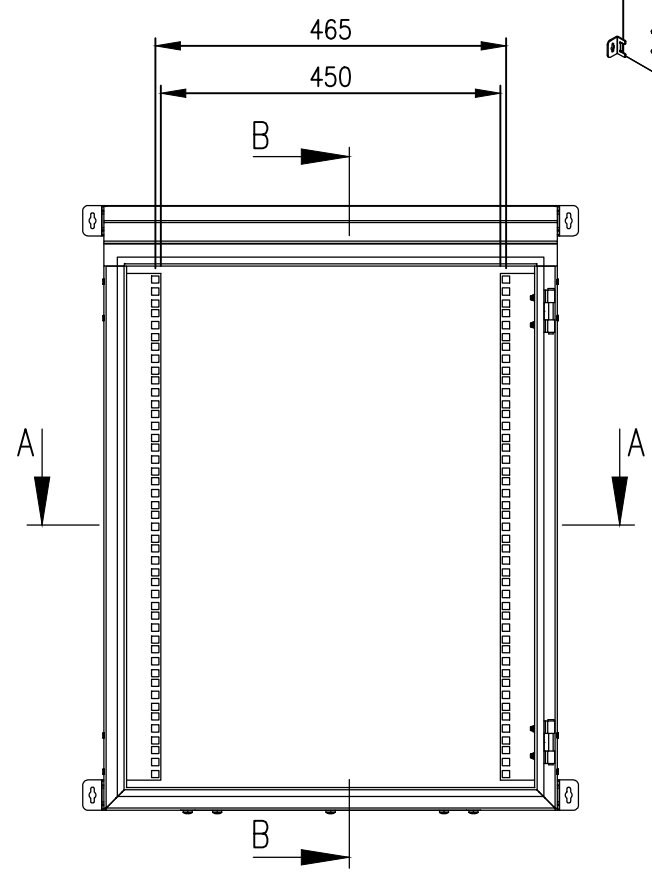
TOP VIEW



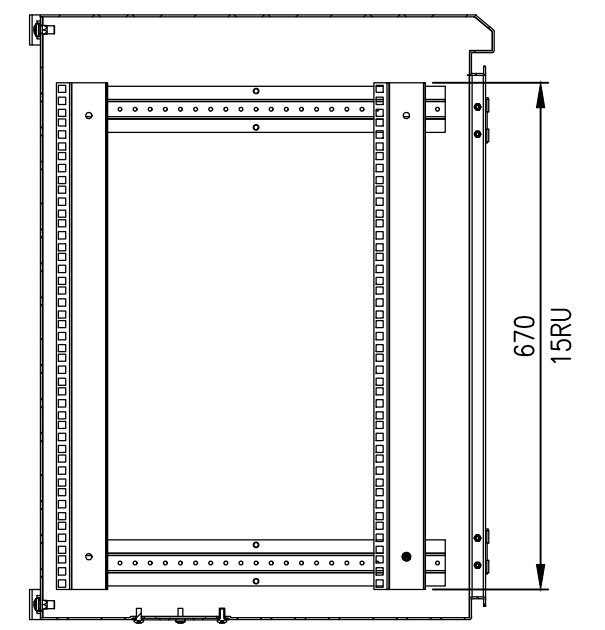
LEFT SIDE VIEW



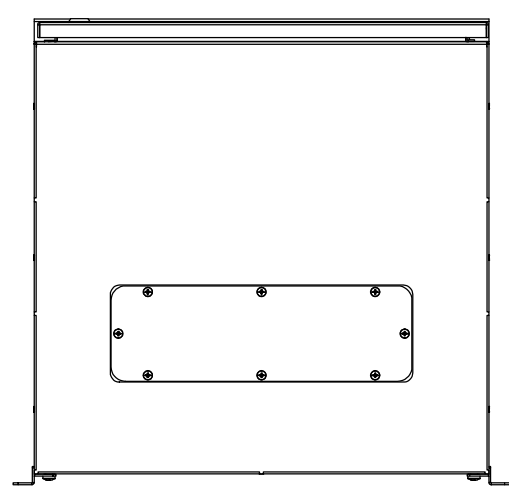
FRONT VIEW



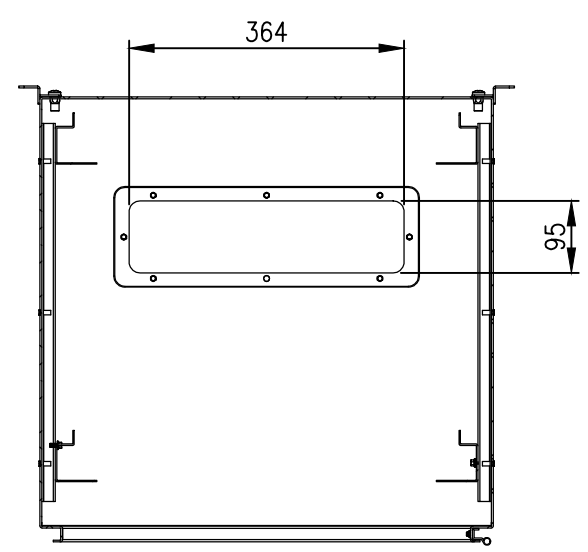
FRONT VIEW - DOOR REMOVED



SECTION BB



BOTTOM VIEW




SECTION AA

MATERIAL
 BODY: 1.5mm MARINE GRADE ALUMINIUM
 DOOR: 1.5mm MARINE GRADE ALUMINIUM
 19" RAILS: 1.5mm GALVANISED STEEL SHEET
 SEAL: POLYURETHANE
 SURFACE TREATMENT: POWDER-COAT 80-120micron
 COLOUR: RAL7035 GREY

PROTECTION: IP66 IK10, NEMA 4
STANDARD: EIA-310-D, IEC/EN/AS60529

© IP ENCLOSURES 2023.
 THIS DRAWING SHALL NOT BE COPIED OR REPRODUCED
 WITHOUT AUTHORISATION FROM IP ENCLOSURES.
 www.ipenclosures.com.au

Itemref	Quantity	Title/Name, designation, material, dimension etc	Article No./Reference
Designed by IP	Checked by IP	Approved by - date 27/02/23	Filename IP-ADW15RU60
		Date 27/02/23	Scale 1:10
			ALUMINIUM 15RU 19" DATA RACK 600 DEEP IP-ADW15RU60
		Edition 0	Sheet 1/1