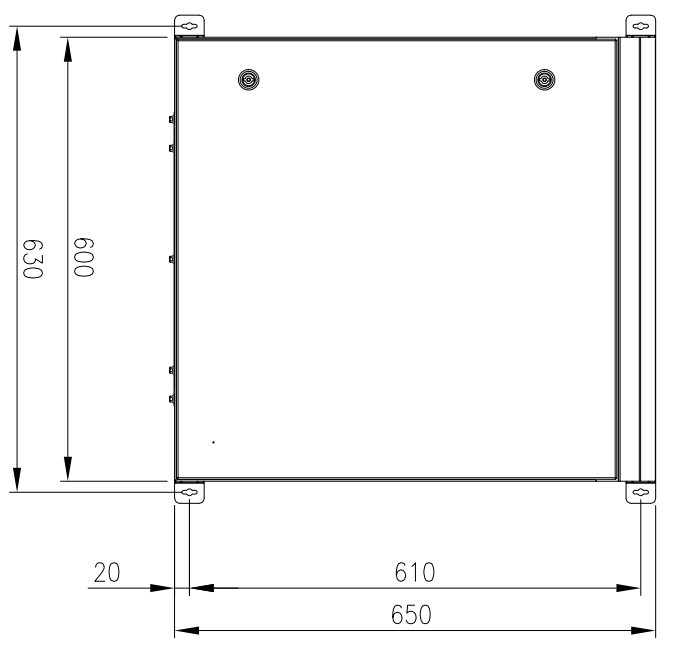
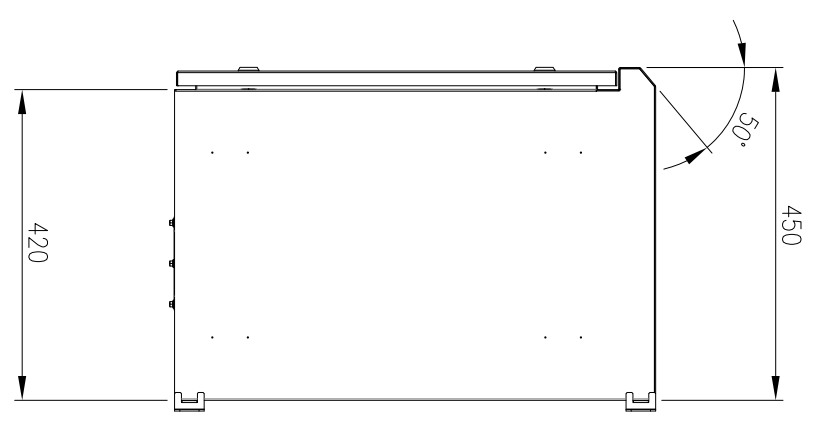


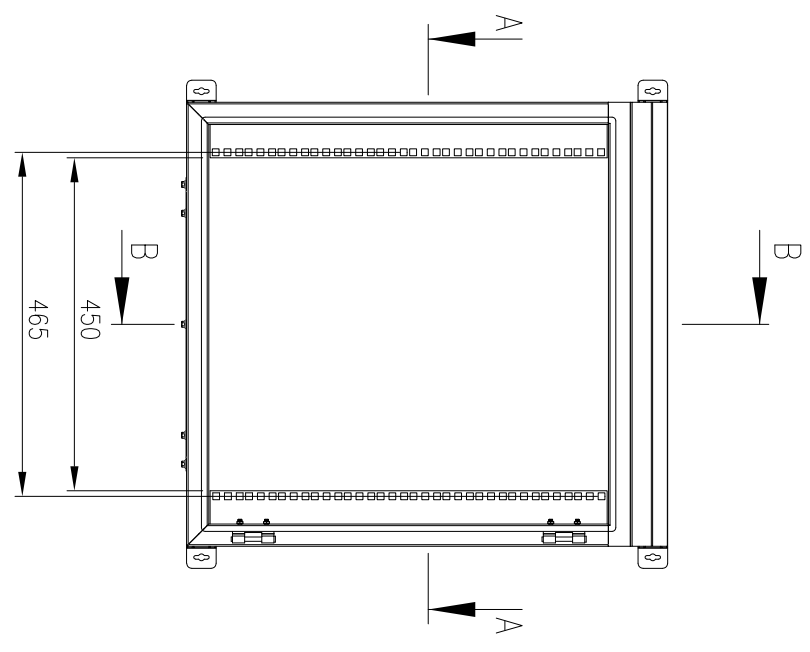
PLAN



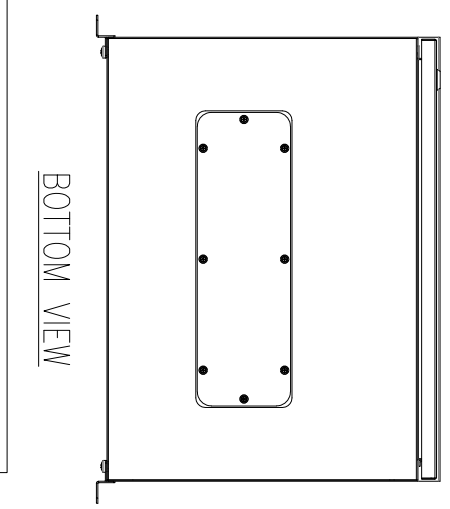
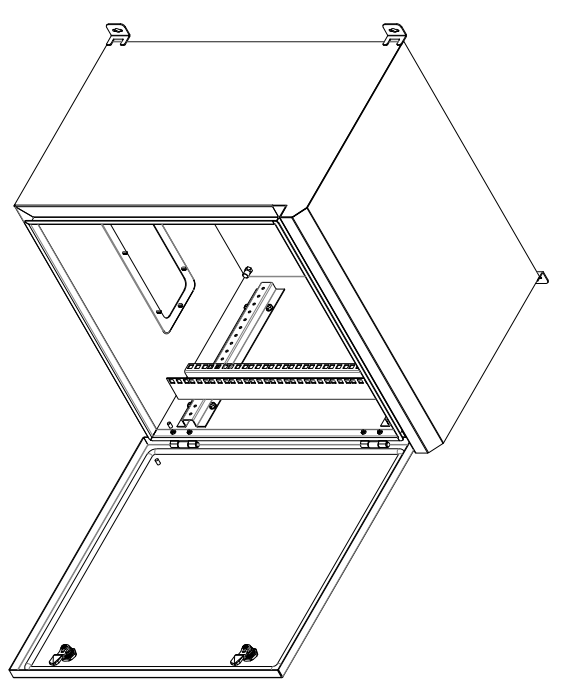
FRONT VIEW



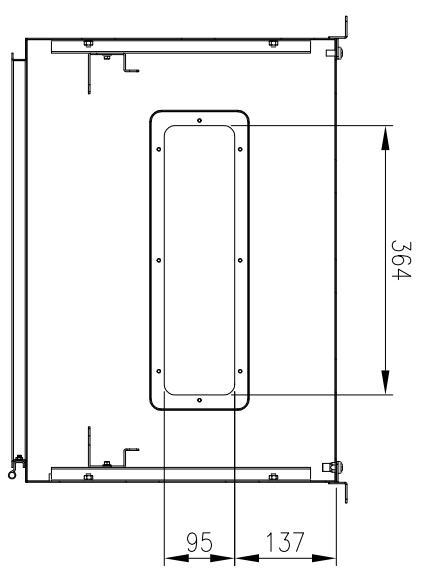
SIDE VIEW



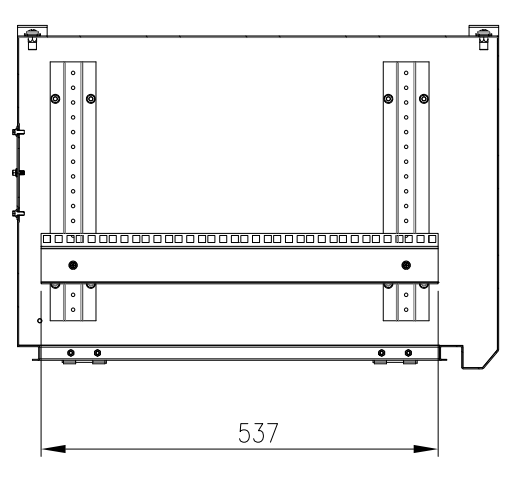
FRONT VIEW - DOOR REMOVED



BOTTOM VIEW



SECTION AA



SECTION BB

MATERIAL
 BODY: MARINE GRADE ALUMINIUM
 DOOR: MARINE GRADE ALUMINIUM
 19" RAILS: 1.5mm GALVANISED STEEL SHEET
 SEAL: POLYURETHANE
 PROTECTION: IP66
 STANDARD: EIA-310-D, IEC/EN/AS60529

© IP ENCLOSURES 2016.
 THIS DRAWING SHALL NOT BE COPIED OR REPRODUCED
 WITHOUT AUTHORISATION FROM IP ENCLOSURES.
 www.ipenclosures.com.au

Item#	Quantity	ItemName, designation, material, dimension etc.	Article No./Reference	Scale
IP		ALUMINIUM 19RU 19" DATA RACK 450 DEEP		1:10
IP		IP-ADM12RU45		1/1"

