

---

# USER'S MANUAL (PART 2)

## AIR CONDITIONER FOR ELECTRICAL ENCLOSURE INDOOR APPLICATION

# IP-ACIWM200.001



Document: UMA-CDZ-IP-ACIWM200.001-00		Date	Name
Description Original user's manual for air conditioner IP-ACIWM200.001 series Language: English	ISSUE	23/05/2021	
	REV. 01		
	REV. 02		
	REV. 03		



## WARNING

- Safety of AIR CONDITIONER is warranted only by proper use of these instruction which must be kept.
- Installation must be done by qualified personnel only after enclosure power supply disconnecting.
- Before any operation, switch off the power supply.
- The appliance is classified as not accessible to the general public
- The air conditioner is not to be used by persons (including children) with reduced physical, sensory or mental capabilities, or lack of experience and knowledge, unless they have been given supervision or instruction.
- Children being supervised not to play with the air conditioner.
- The air conditioner must be installed in accordance with national wiring regulations (IEC 60335-2-40:2018)
- Upstream of the electrical connection, an efficient disconnection system must be provided in compliance with the AS / NSZ 3000 standard
- Internal and external components of electrical enclosure don't have to affect the proper installation of air conditioner.
- Inside of electrical enclosure there must not be components that could affect the proper ventilation.
- Provide a proper fixing of the electrical enclosure to the floor to prevent accidental tipping due to the supplementary weight of installed AIR CONDITIONER.
- Installation position of AIR CONDITIONER must be selected to ensure good ventilation. Take care that any internal/external components of enclosure don't obstruct air passage. (see section 2.2 GENERAL CHECKS BEFORE INSTALLATION)
- The heat loss of the components installed inside of the electrical enclosure must be lower than useful cooling power of the AIR CONDITIONER.
- AIR CONDITIONER IP-ACIW series must be handled in upright position and protected against accidental tipping over.
- Do not modify the AIR CONDITIONER structure if it is not specified in these instruction or associated instructions.
- During transportation of enclosures with installed air conditioner a proper bracket must be used to support the cooling unit weight.
- Install only original spare parts and accessories.
- Protection against access to live parts must be warranty by installer.
- The supply connector of the AIR CONDITIONER must only be connected and disconnected when electrical enclosure is electrically disconnected.
- Follow all technical data shown in this manual

# TABLE OF CONTENTS

WARNING .....	2
1 - TECHNICAL DATA.....	3
2 - INSTALLATION .....	4
2.1 PRODUCT HANDLING.....	4
2.2 GENERAL CHECKS BEFORE INSTALLATION .....	4
2.3 FITTING .....	5
3 - ELECTRICAL CONNECTION.....	7
3.1 WIRING DIAGRAM.....	8
3.1.1 IP-ACIWM200.001.....	8
4 - STARTING AND ADJUSTMENT .....	9
4.1 DIGITAL THERMOSTAT.....	9
5 - SPARE PARTS LIST.....	12
WARRANTY.....	13
UE DECLARATION OF CONFORMITY .....	14
SAA CERTIFICATE.....	15

## 1 - TECHNICAL DATA

CONTROL TYPE			ARTICLE CODE
Digital thermostat			IP-ACIWM200.001
FEATURES		Unit	
Power supply		V   ph   Hz	230   1   50/60
Cooling capacity EN14511	A35-A35	W	2000/2100
	A35-A50	W	1200/1250
Absorbed electric power EN14511	A35-A35	W	1060 /1100
	A35-A50	W	1240/1300
Rated current		A	6.6/6.9
Motor circuit breaker / Delayed pre fuse (advised)		A	10
Electrical connection		-	Three-pole connector
Air flow rate (free blow)	enclosure	m3/h	600/625
Operating temperature	ambient	°C (°F)	+20   +55 (+68/+ 131)
	enclosure	°C (°F)	+20   +45 (+68/+ 113)
Refrigerant		-   g	R134a   600
Protection degree EN60529/1	ambient	-	IP34
	enclosure	-	IP54 (when installed on enclosure with the same protection degree)
Design	casing	-	Galvanised sheet steel
	cover	-	Galvanised sheet steel powder coated RAL7035
Weight		kg	49
Conformity / Certifications		-	CE, SAA 203165

# 2 - INSTALLATION

## 2.1 PRODUCT HANDLING



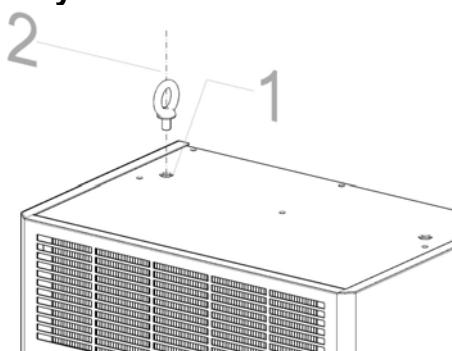
**AIR CONDITIONER IP-ACIW series must be handled in upright position and protected against accidental tipping over.**

Air conditioners IP-ACIW series are fitted with female blind threaded insert to screw male lifting eye bolts.

The air conditioner handling, when unpacked, can be done thanks to lifting eye bolt. If lifting eye bolts are not included, please provide an adequate M6 male lifting eye bolt (2) and screw it inside blind threaded (1) insert placed on top of the air conditioner



**Check the proper fixing of eye bolts before lift the air conditioner.**



## 2.2 GENERAL CHECKS BEFORE INSTALLATION

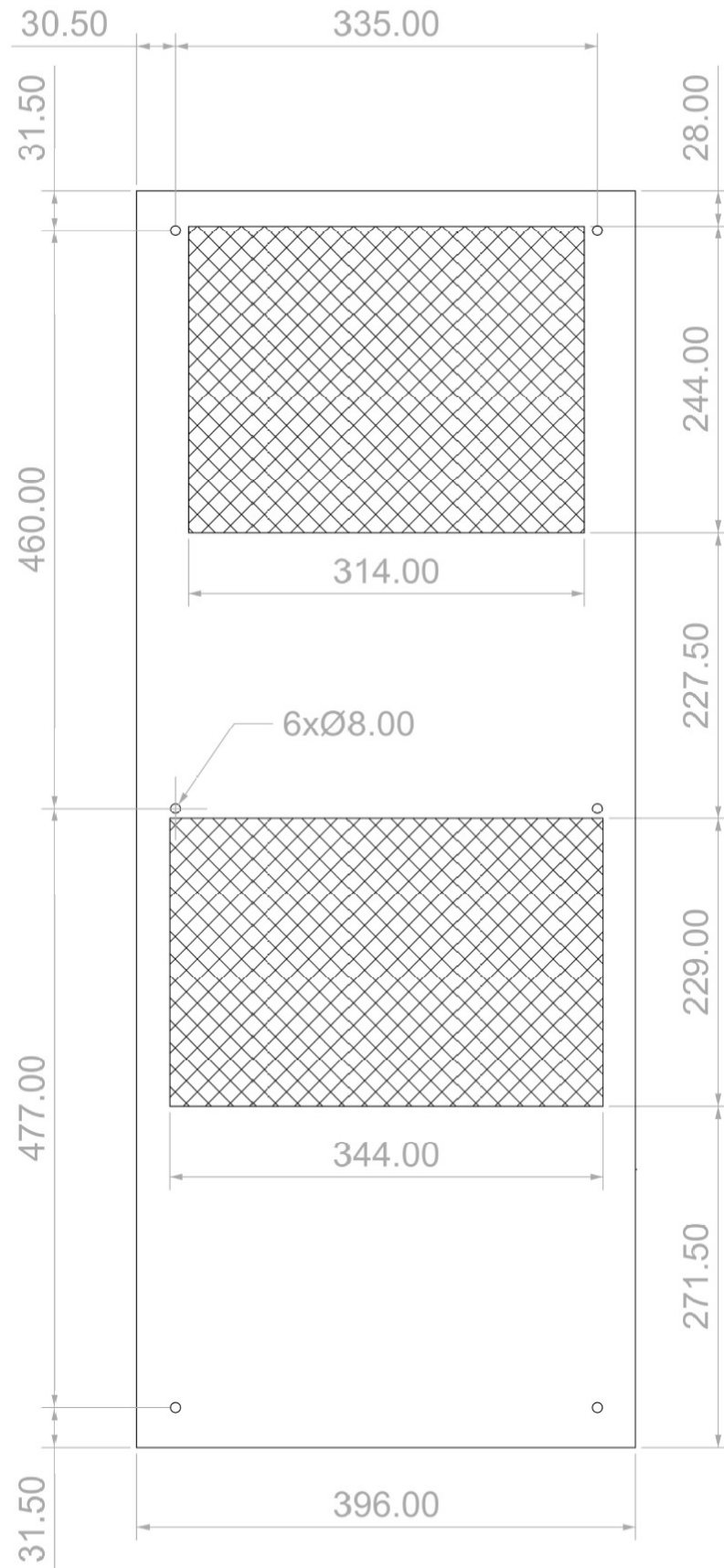


**Before the installation make sure that the cabinet is disconnected from the electrical supply.**

GENERAL CHECKS
- electrical enclosure must be disconnected form power supply
- electrical data shown on rating label pasted on air conditioner side must be guaranteed
- Electrical enclosure must be sized according to air conditioner dimensions and weight.
- Electrical enclosure must have at least IP54 protection degree
- Internal and external components of electrical enclosure don't have to affect the proper installation of air conditioner
- The installation site must be free from excessive dirt, aggressive ambient conditions and moisture.
- The installation site must be free from hot air flows
- The internal side of electrical enclosure must be free from dirt and moisture
- The environment temperature must be within the range specified on label pasted on air conditioner side
- Inside of electrical enclosure there must not be components that could affect the proper ventilation
- the enclosure positioning with installed air conditioner must be carefully selected to ensure good ventilation (clearance between the air conditioner and the near walls must be at least 500 mm in each side).
- Proper disposing of condensate discharge

## 2.3 FITTING

1) Make the fixing hole on the enclosure as is shown in the drilling template



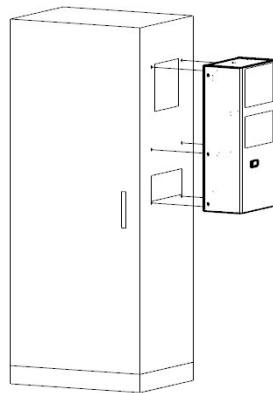
**Deburr all sharp edges to avoid accidental injuries**

2) Apply the gasket (included in fixing kit) on the back panel of the air conditioner.

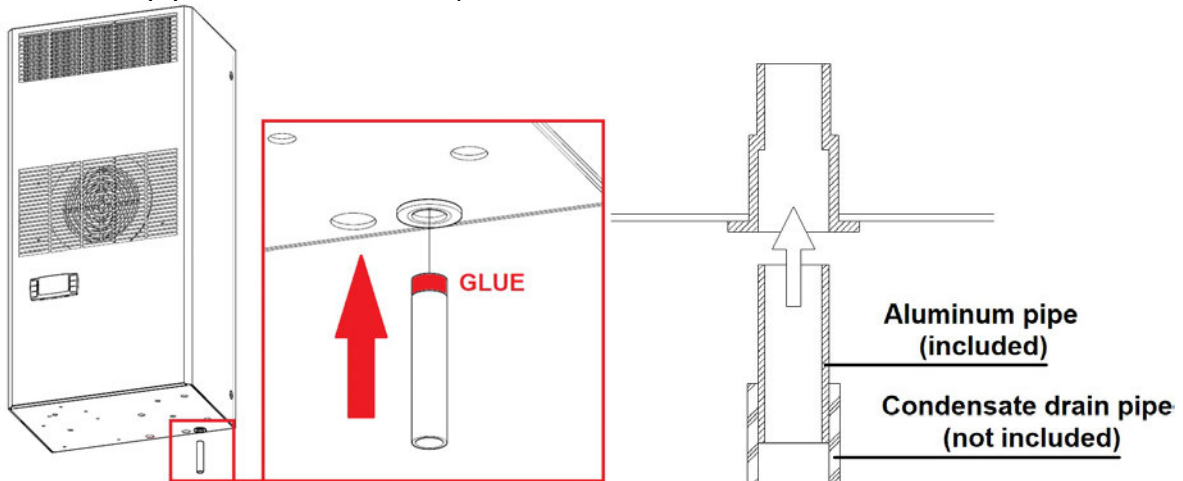


3) Lift the air conditioner by lifting eyebolt and place it near the enclosure wall

4) Mount the air conditioner on the electrical cabinet according to the drilling template with M6X16 screws and washers against unscrewing (included in mounting kit)



5) Connect the condensate drain pipe like is shown in picture below. (Put some glue on aluminium pipe before to insert it)



**Air conditioner produces condensate because the moist air inside of the enclosure meets cold heat exchanger (evaporator) and then it becomes water; water production decreases during air conditioner working because enclosure air becomes dry.**



**The enclosure must be IP 54 protected, if enclosure is not airtight, condensate production could increase.**



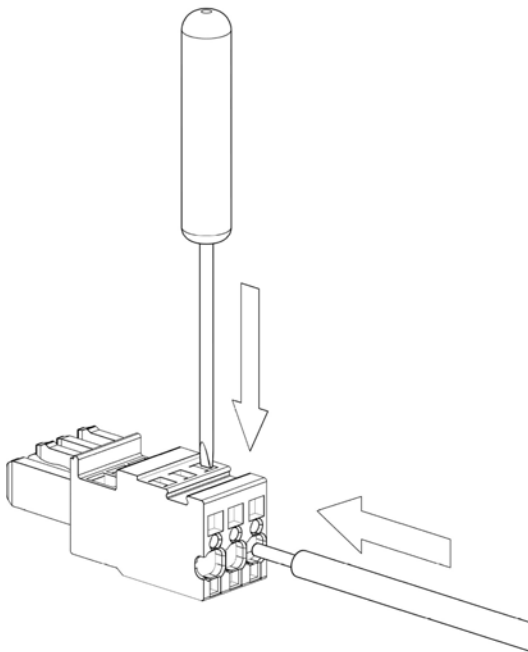
**The enclosure IP54 degree is guaranteed only if the air conditioner is proper mounted.**

## 3 - ELECTRICAL CONNECTION



The electrical installation must be carried out by a qualified electrician who is responsible for compliance with the applicable standards and regulations.

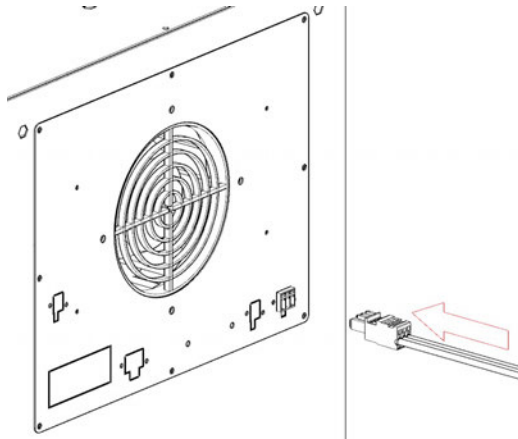
Wire male plug (included) with an adequate cable as is shown by following picture



**Cable section must be at least 1,5mm<sup>2</sup>**

The male plug is fitted with spring terminals:

- 1) Push the spring with a screwdriver and then insert the wire.
- 2) Check the proper wire insertion.
- 3) Connect the unit with the power supply



**Electrical data shown on rating label pasted on air conditioner side must be guaranteed.**



**Install the delayed fuse recommended on rating plate pasted on air conditioner side to protect the line and enclosure components against short-circuit.**



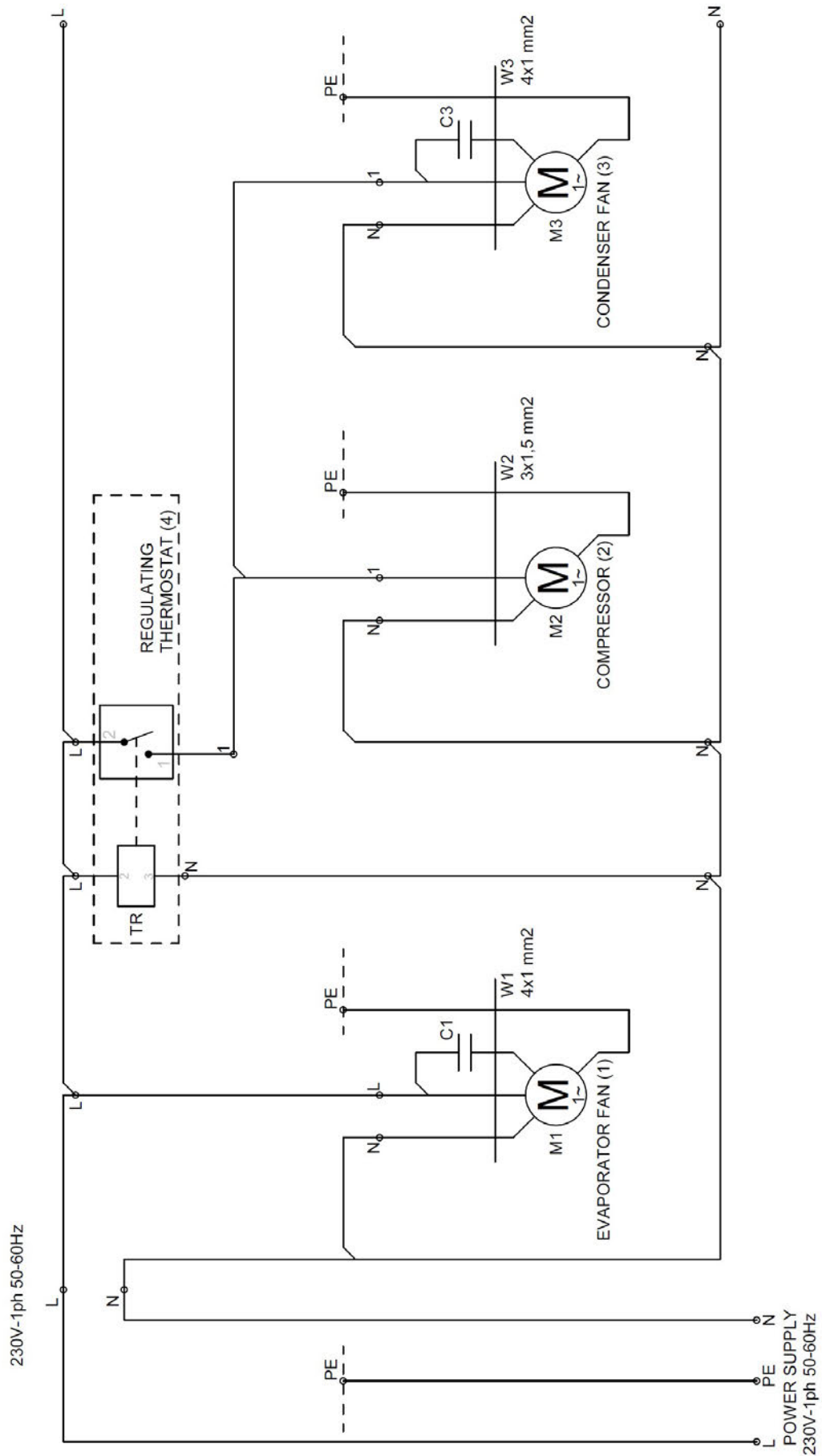
**Upstream of the electrical connection, an efficient disconnection system must be provided and it must be clearly identified**



**Air conditioner is already fitted with a temperature controller, no additional temperature control must be connected upstream of the unit.**

# 3.1 WIRING DIAGRAM

## 3.1.1 IP-ACIWM200.001





# 4 - STARTING AND ADJUSTMENT

After finishing assembly of the conditioner, wait approx. 30 min. before starting it (the oil must collect in the compressor to ensure lubrication and cooling).

The air conditioner operates automatically, that is to say, after insertion, the evaporator fan operates continuously making the air inside the cabinet circulate. This way a uniform distribution of temperature inside the cabinet itself is attained. The built-in thermostat drives compressor and condenser fan according to set point value.

**Compressor and condenser fan turn ON when internal enclosure temperature rises up to set point value + hysteresis and the minimum interval of two successive switch-on of the compressor (parameter C2) is elapsed.**

**Compressor and condenser fan turn OFF when internal enclosure temperature decreases below set point value.**

## 4.1 DIGITAL THERMOSTAT



Indicator	Symbol	Status	Meaning
Set	set	On	Set parameters
		Off	Measuring & controlling
Cooling	❄️	On	Cooling starts
		Off	Cooling stops.
		Flash	Cooling delays.

### Parameter list

Menu	Function	Setting range	Default	Unit
St	Temperature set-point	C5 / C6	31°C	°C/°F
Po	Admin. password	0 / 99	55	-
C1	Temperature differential	1 / 15°C	4°C	°C/°F
		1 / 30°F		
C2	The minimum interval of two successive switch-on of the compressor	1 / 60	3	min
C4	Temperature calibration of cabinet sensor	-10 / +10°C	0°C	°C/°F
		-20 / +20°F		
C5	Lower set-point. Min possible set-point	-50°C/(C6-1)	20	°C/°F
		58°F/(C6-1)		
C6	Higher set-point. Max possible set-point	(C5+1)/90°C	45	°C/°F
		(C5+1)/194°F		
d1	Select evaporator sensor [1]	0 : disable 1 : enable	0	-

<b>d2</b>	Temperature calibration of evaporator sensor [1]	<b>-10 / +10°C</b>	<b>0°C</b>	<b>°C/°F</b>
		<b>-20 / +20°F</b>		
<b>d4</b>	Defrost cycle	<b>0 / 60</b> 0: cancel defrost function	<b>0</b>	<b>30min</b>
<b>d7</b>	Maximum defrost time	<b>1 / 99</b>	<b>20</b>	<b>min</b>
<b>d8</b>	Defrost stop temperature	<b>0 / +45°C</b>	<b>7°C</b>	<b>°C/°F</b>
		<b>+32 / +115°F</b>		
<b>A1</b>	Compressor start and stop in the mode of “run/stop in a proportional time”	<b>00 : disable</b> <b>01 : enable</b>	<b>01</b>	<b>-</b>
<b>A2</b>	Compressor start time in case of cabinet sensor fault	<b>01 /60</b>	<b>10</b>	<b>min</b>
<b>A3</b>	Compressor stop time in case of cabinet sensor fault	<b>01 /60</b>	<b>20</b>	<b>min</b>
<b>A4</b>	Buzzer switch [2]	0 : disable buzzer beeping 1 : enable buzzer beeping	<b>0</b>	<b>-</b>
<b>A5</b>	Lower alarm. Min temp alarm value	<b>-50°C/A6</b>	<b>-50°C</b>	<b>°C/°F</b>
		<b>58°F/A6</b>		
<b>A6</b>	Higher alarm. Max temp alarm value	<b>A5/90°C</b>	<b>90°C</b>	<b>°C/°F</b>
		<b>A5/194°F</b>		
<b>A7</b>	Temperature alarm override	<b>0/60</b>	<b>20</b>	<b>min</b>
<b>A8</b>	Power-ON alarm override	<b>0/60</b>	<b>40</b>	<b>min</b>
<b>U1</b>	Select temperature display sensor [1]	00 : display cabinet sensor 01 : display evaporator sensor	<b>0</b>	<b>-</b>
<b>U2</b>	Switch between Fahrenheit and Celsius [3]	00 : Fahrenheit 01 : Celsius	<b>01</b>	<b>-</b>
<b>U3</b>	Select defrost or light relay function	00 : defrost out. 01 : light output	<b>00</b>	<b>-</b>


[1]: no evaporator sensor available



[2]: no buzzer available

[3]: After switch between Celsius/Fahrenheit, the temperature set-point of parameter item St automatically adjusts to the corresponding temperature value of Celsius/Fahrenheit, and the temperature set-points of other parameter items related to Celsius/Fahrenheit automatically adjust accordingly.

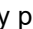
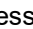
For example, St is set to 0°C, and it will automatically adjust to 32°F after switch; C4 (calibration value of cabinet sensor) is set to +8°C, and it will automatically adjust to +20\*(8/10)=+16°F.

Suggestion: Switch Celsius/Fahrenheit first, then adjust the value of related parameter items to ensure correct parameter configuration.

Button name	Function	Action
Set	Set parameters	Press it for 3 sec.
	Switch between menu and parameters	Press it and the controller responds.
	Adjust menu and parameters	Press it and the controller responds.



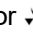

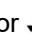
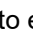


Button name	Function	Action
	Adjust menu and parameters	Press it and the controller responds.
	Exit setting parameters	Press it and the controller responds.


## Set-point adjustment

- 1) Press the **Set** button for 3 sec in status of measuring and controlling to enter user menu, the panel will display **St**.
- 2) Press the **Set** button again to display the parameter value of **St**, and modify the temperature set-point by pressing  or .

**WARNING:** temperature which unit starts to work is St+C1. For example: St=31, C1=4 compressor and condenser fan turn on at 35°C (31°C+4°C)

## Parameter adjustment

- 1) When **St** shows, press  to display **Po**, and press **Set** to display **00**; at this moment, use the button  or  to input the password of administrator menu (**55**).
- 2) After inputting the password **55**, press **Set** to display **Po**. The controller will automatically verify whether the password is correct.
- 3) When it passes verification, press  or  to select parameter items **St, Po, C1, C2.....** (i.e. any parameter item of user menu and administrator menu); otherwise, the controller will only stay at the parameter items St and Po without displaying other parameter items.
- 4) After selecting the menu, press **Set** to enter the current menu and set its parameters. Use  or  to adjust parameter values, then press **Set** again to return to menu selection status.
- 5) Under any parameter setting status, press  or press no button for 30 sec to exit parameter setting and save the current parameter value automatically.

**Note:** The password of administrator menu is valid for once. After exiting parameter settings by pressing , correct password must be entered again before adjusting parameters.

## View temperature

- 1) When **U1** (temperature display) =00, the controller displays the current temperature of cabinet sensor.
- 2) When **U1**=01, the controller displays the current temperature of evaporator sensor.  
(**WARNING: no evaporator probe available on air conditioner**)

## Control output

### Cooling:

In normal status:

Refrigeration starts when the cabinet temperature > temperature set-point **St** + control differential **C1**, and the indicated time must elapse between two successive minimum switch-on of the compressor.

Refrigeration stops when the cabinet temperature < temperature set-point **St**.

In case of cabinet sensor fault,

When **A1**=0, compressor start and stop time in the mode of “run/stop in a proportional time” is disabled, refrigeration stops.

When **A1**=1, compressor start and stop time in the mode of “run/stop in a proportional time” is enabled, refrigeration performs in cycle according to the set refrigeration start **A2** and stop **A3** time in the mode of “run/stop in a proportional time”.

## Alarm

Displayed code	Cause
E1	Cabinet sensor fault
E2	Evaporator sensor fault (shown if parameter d1=1)
E2C	Evaporator sensor is shut down, but the measured temperature value of evaporator sensor is selected to show. (shown if parameter U1=1)
rH	when temperature >A6 and alarm delay time run out, controller will display rH
rL	when temperature <A5 and alarm delay time run out, controller will display rL

## 5 – SPARE PARTS LIST

REFERRED TO WIRING DIAGRAM	DESCRIPTION	CODE
1	Evaporator fan	VCENT190D230V
2	Compressor	CMPNT6217Z220
3	Condenser fan	VCENT220D230V
C1	Evaporator fan capacitor	CON2UFS2M8F
C3	Condenser fan capacitor	CON2UFS2M8F
4	Regulating thermostat	ALFADT01S1
	Supply connector (male plug)	SPINALIM3

# WARRANTY

WE  
IP ENCLOSURES



**guarantees that the product is free from any quality defects.**

The product is guaranteed for a period of 12 months from the date of delivery, provided it operates under the following conditions:

1. value of power supply indicated in the data plate is completely respected;
2. requirements specified on user's manual are completely respected;
3. cabinet temperature is not higher or lower than its rated temperature;
4. ambient temperature is not higher or lower than its rated temperature;
5. the product is mounted on cabinets with a minimum IP54 protection level;
6. the product is mounted on cabinets that not requiring higher cooling power than expected;
7. the product is clearly identifiable by serial number.

The warranty does not apply if :

1. the cooling circuit has been modified about type and quantity of refrigerant or composition;
2. the unit operates in acid or corrosive ambient;
3. the unit has been modified without IP ENCLOSURES consent.

This warranty shall become null as soon as the product is altered or modified in its structure or in circuits.

The terms of this warranty (commencement and termination dates) are not modified by any repair or replacement of products.

For every part that results defective during the period of this warranty, IP ENCLOSURES shall repair or replace it. Any others charges arising from removal, handling and installation of the products shall not be refunded by IP ENCLOSURES.

Like is specified on user's manual, installation, handling, the correct earthing in accordance with all current standards are under the responsibility of costumer.

In the event of any damage caused by a defective product shall apply the EEC85.374 standard.

The malfunction must be communicated in writing to IP ENCLOSURES.

Warranty is void if the costumer is not in good standing with the payments

# UE DECLARATION OF CONFORMITY



WE  
IP ENCLOSURES



DECLARE THAT THE AIR CONDITIONER FOR ELECTRICAL CABINETS

## IP-ACIW series

DO COMPLY WITH THE FOLLOWING DIRECTIVES

**2006/42/CE** MACHINERY DIRECTIVE (17 May 2006)

**2014/35/UE** LOW VOLTAGE DIRECTIVE (26 February 2014)

**2014/30/UE** EMC DIRECTIVE (26 February 2014)

**2011/65/UE** ROHS DIRECTIVE (8 June 2011)

STANDARDS APPLIED TO MEET THE PRINCIPAL ELEMENTS OF THE DIRECTIVE

**EN 60335-2-40:2003; A1; A2** (IEC 60335-2-40: 2002; A1; A2)

**EN 60335-1: 2010; A11; A13; A14; A1; A2** (IEC 60335-1; A1; A2)

OTHER STANDARDS APPLIED

**EN 55014-1: 2017**

**EN 55014-2: 2015**

**EN IEC 61000-3-2: 2019**

**EN 61000-3-3: 2013**

	Date	Name
<b>Description</b> Declaration of Conformity for air conditioner IP-ACIW	ISSUE	01/06/2020
	REV. 1	
	REV. 2	
	REV. 3	

# SAA CERTIFICATE



## Certificate of Suitability

**\*Addendum\***

**Certificate No.:** SAA203165

**Date of Issue:** 1 April 2021

**Regulatory Definition:** Non-Declared  
**Product Description:** Air-conditioning unit for cabinet

Additional Models	Trade Name	Rating/Marking
IP-ACIWM145	IP Enclosures	230Vac, 50/60Hz, Max.800W R134a/700g, Max. Pressure: 2400kPA Class I, IP34 (External side), IP54 (Internal side)
IP-ACIWM145.001	IP Enclosures	230Vac, 50/60Hz, Max.800W R134a/700g, Max. Pressure: 2400kPA Class I, IP34 (External side), IP54 (Internal side)
IP-ACOWM145	IP Enclosures	230Vac, 50/60Hz, Max.800W R134a/700g, Max. Pressure: 2400kPA Class I, IP34 (External side), IP54 (Internal side)
IP-ACOWM145.001	IP Enclosures	230Vac, 50/60Hz, Max.800W R134a/700g, Max. Pressure: 2400kPA Class I, IP34 (External side), IP54 (Internal side)
IP-ACIWM200	IP Enclosures	230Vac, 50/60Hz, Max.1240W R134a/600g, Max. Pressure: 2400kPA Class I, IP34 (External side), IP54 (Internal side)
IP-ACIWM200.001	IP Enclosures	230Vac, 50/60Hz, Max.1240W R134a/600g, Max. Pressure: 2400kPA Class I, IP34 (External side), IP54 (Internal side)
IP-ACOWM200	IP Enclosures	230Vac, 50/60Hz, Max.1240W R134a/450g, Max. Pressure: 2400kPA Class I, IP34 (External side), IP54 (Internal side)

For and on Behalf of  
SAA Approvals Pty Ltd

SAA certifies the product nominated in this certificate  
complies with standard/s listed above.

For SAA Contact Details and to verify this Certificate go to:  
[www.saaapprovals.com.au](http://www.saaapprovals.com.au)



Issued: 01-04-21 203165/3

