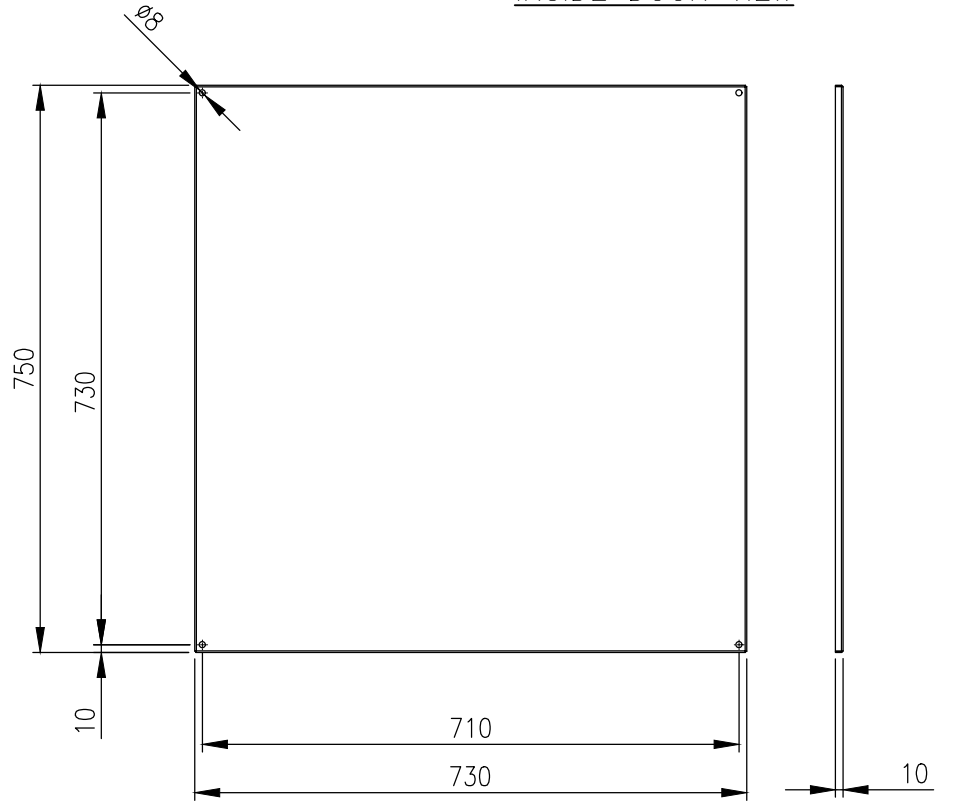
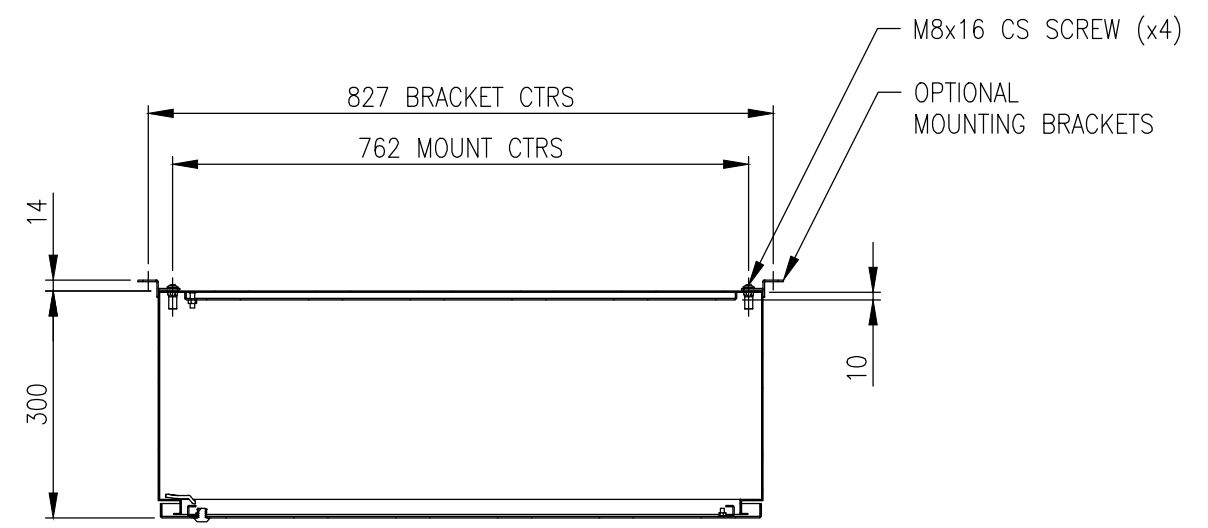
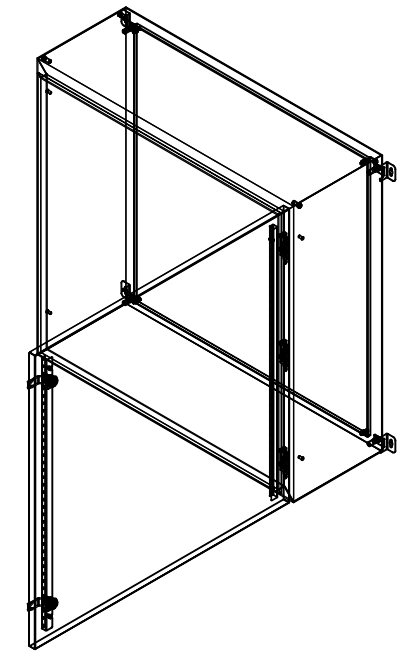
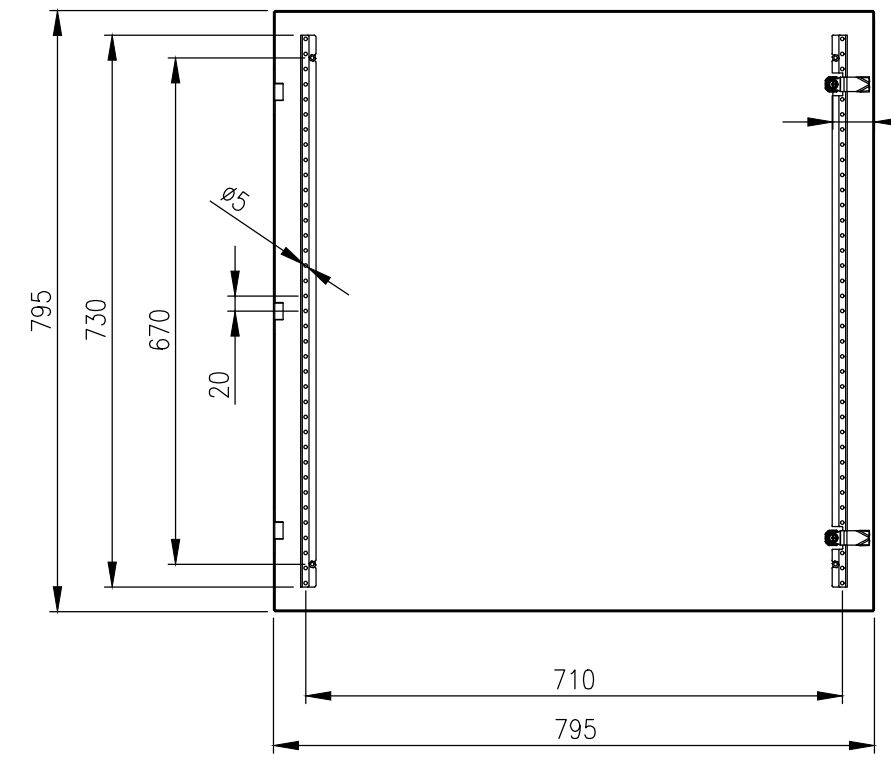
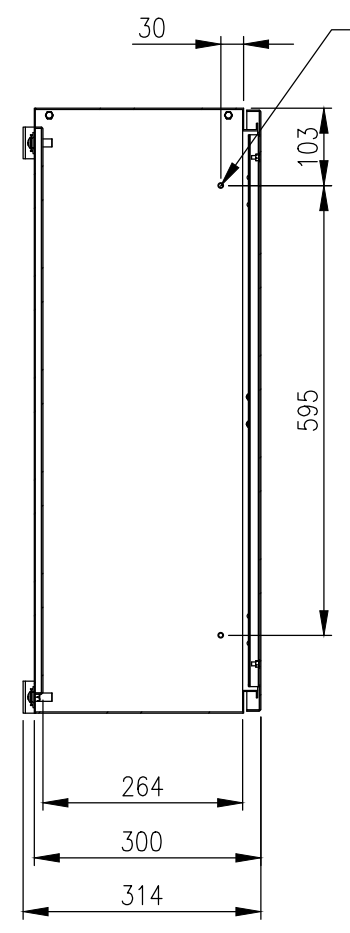
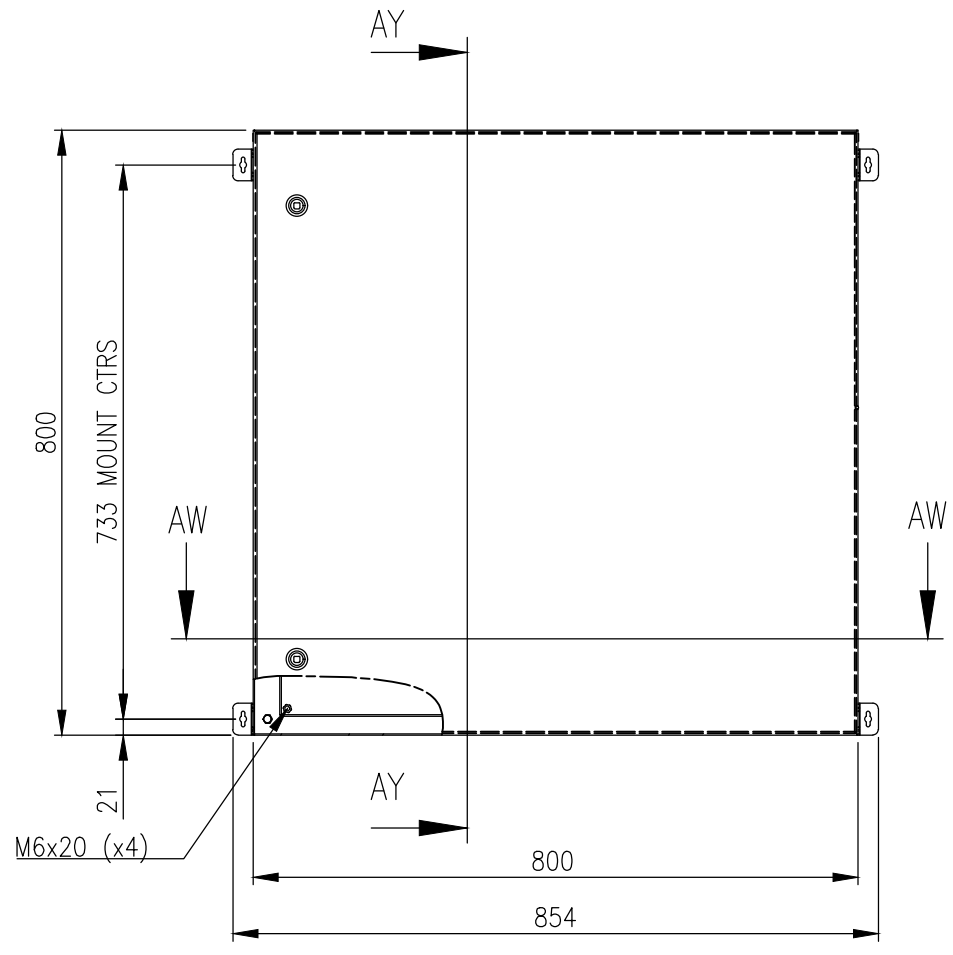


RevNo	Revision note	Date	Signature	Checked
1	GENERAL REVISION	26/03/25	IP	IP



MATERIAL
 BODY: 2.5mm MARINE GRADE ALUMINUM
 DOOR: 2.5mm MARINE GRADE ALUMINUM
 DEVICE PLATE: 1.5mm GALVANISED STEEL SHEET
 SEAL: POLYURETHANE
 SURFACE TREATMENT: POWDER-COAT 80-120micron
 COLOUR RAL7035 LIGHT GREY

MASS: 32.0Kg.

PROTECTION: IP66 IK10
 STANDARD: IEC/EN62208, IEC/EN/AS60529

© IP ENCLOSURES 2016.
 THIS DRAWING SHALL NOT BE COPIED OR REPRODUCED
 WITHOUT AUTHORISATION FROM IP ENCLOSURES.
 www.ipenclosures.com.au

IMPORTANT NOTE:
 WALL MOUNTING BRACKETS ARE NOT INCLUDED
 AND MUST BE ORDERED SEPARATELY.

Itemref	Quantity	Title/Name, designation, material, dimension etc	Article No./Reference
IP	1	800x800x300 ALUMINIUM ENCLOSURE	IP-A808030
Designed by	Checked by	Approved by - date	Filename
IP	IP	05/07/21	IP-A808030
Date	Scale	Edition	
05/07/21	1:10	1	
Sheet		1/1	