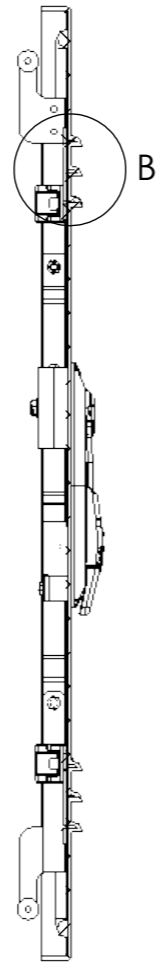
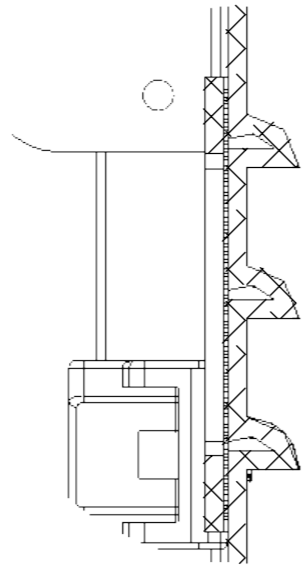
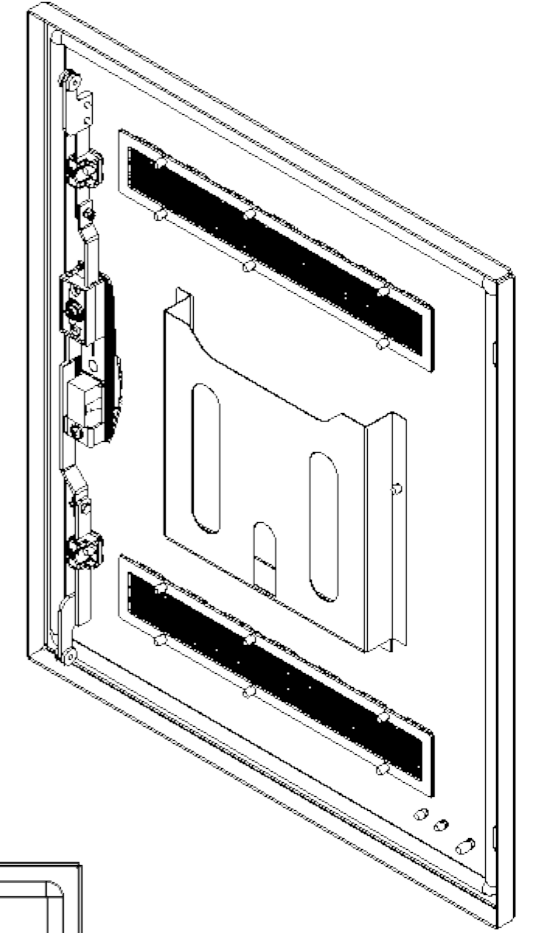
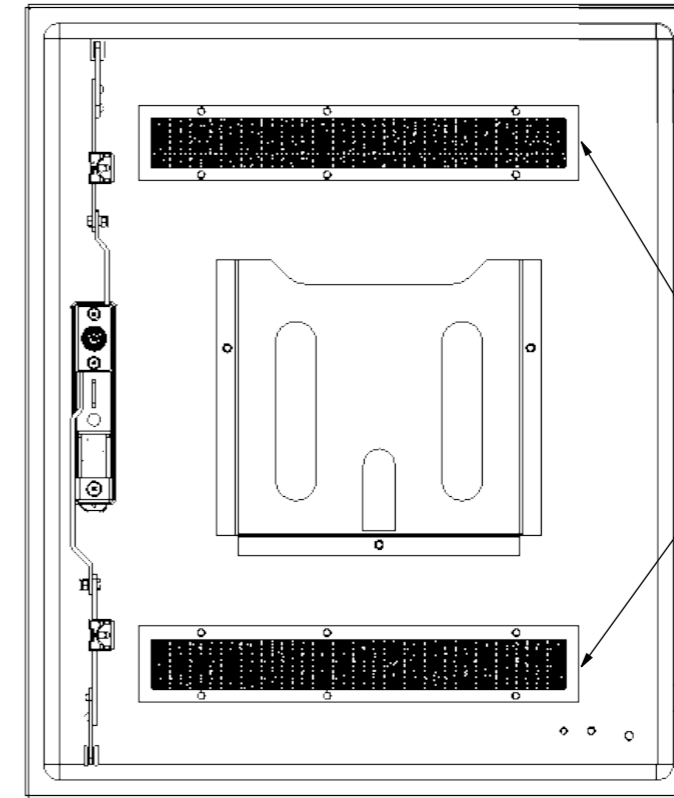
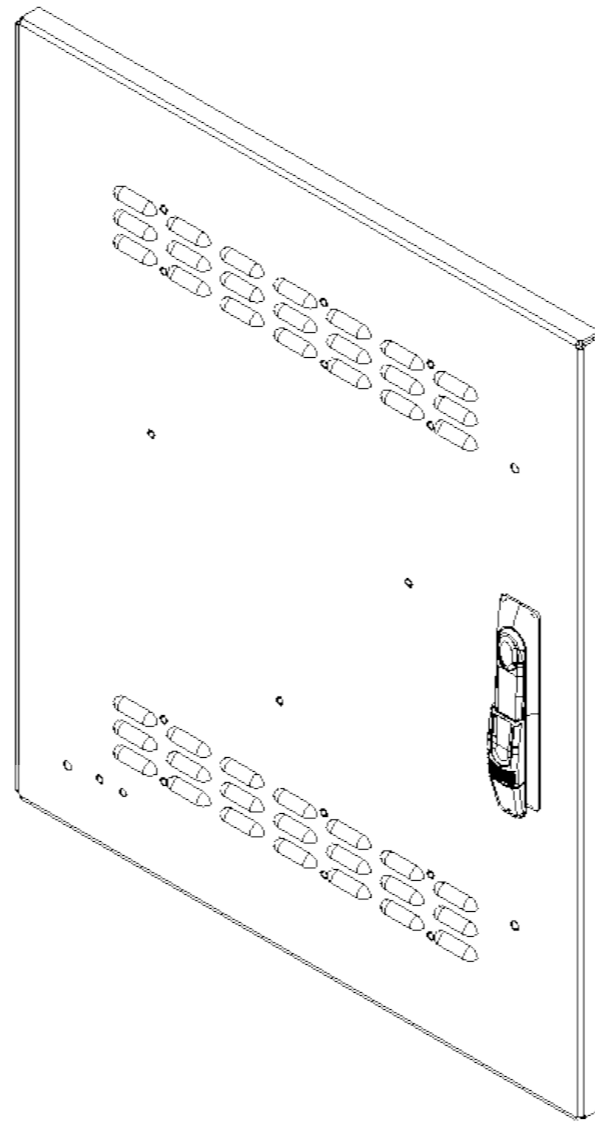


DETAIL B



SECTION A-A



steel wire mesh

		Dimensions in mm SCALE: 1:10	CLIENT		
TOLERANCE/ TOLERANS	(+,-)0,5 MM	MATERIAL	TITLE IP-A7060VENTDOOR-T33		
		PAINT CODE	DWG NO		Pag. A4
DESIGNER	ISMAIL BOLAT	SIGNATURE	DATE	8.10.2021	
CHECKED				THICKNESS	SHEET OF 1