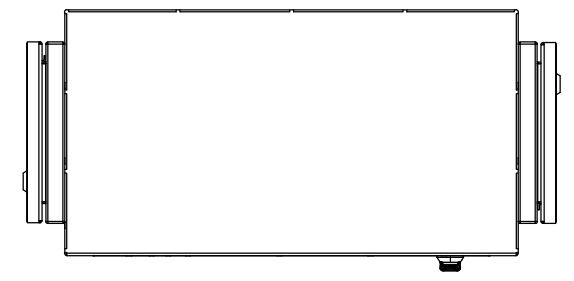
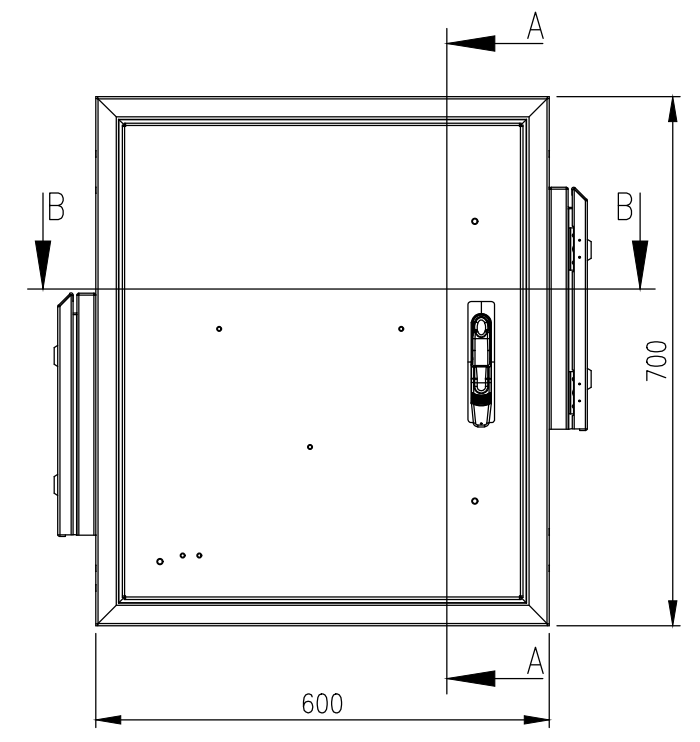


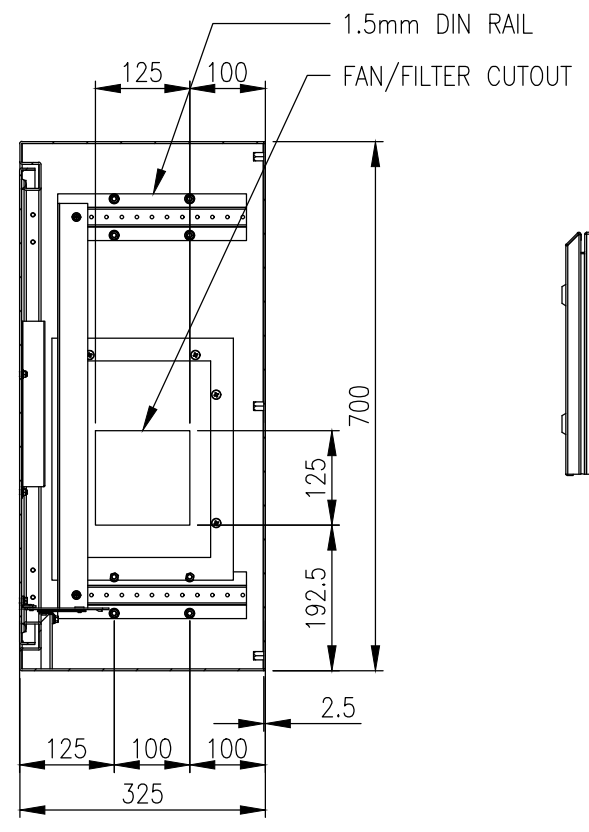
RevNo	Revision note	Date	Signature	Checked
2	GENERAL REVISION	15/04/25	IP	IP



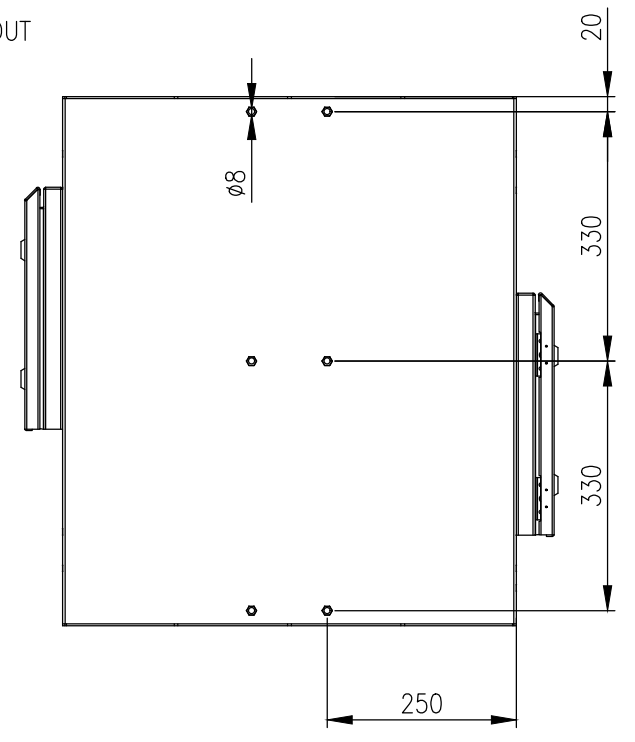
TOP VIEW



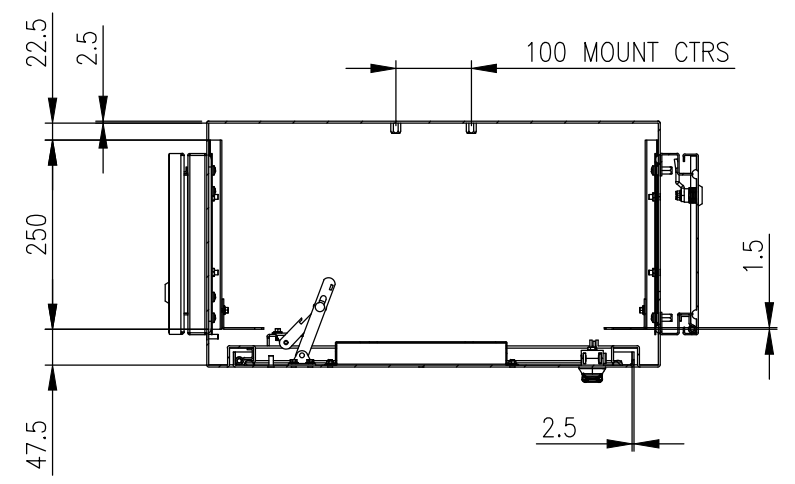
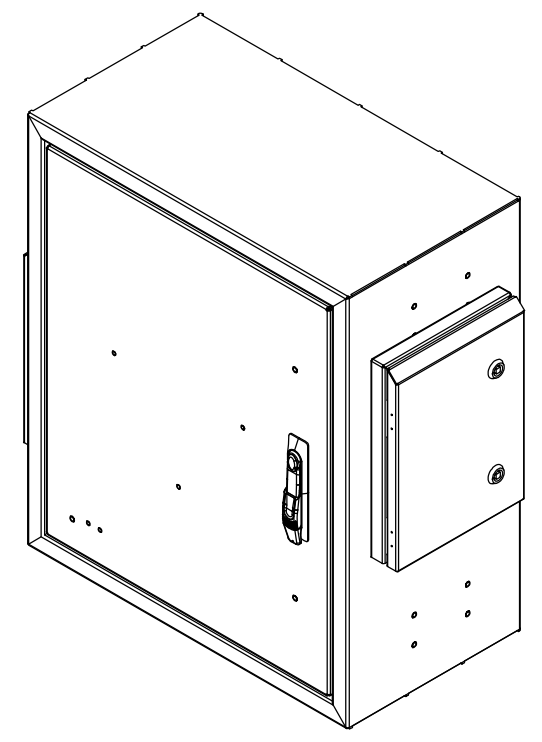
FRONT VIEW



SECTION A-A



REAR VIEW



SECTION B-B

MATERIAL
 BODY: 2.5mm MARINE GRADE ALUMINIUM 5754-H111
 DOOR: 2.5mm MARINE GRADE ALUMINIUM 5754-H111
 19" DATA RACK RAILS: 1.5mm GALV. STEEL SHEET
 SEAL: POLYURETHANE
 SURFACE TREATMENT: POWDER-COAT 80-120micron
 COLOUR: T33 SMOKE BLUE

MASS: 20.0Kg.

PROTECTION: IP55 IK10
 STANDARD: IEC/EN62208, IEC/EN/AS60529

© IP ENCLOSURES 2016.
 THIS DRAWING SHALL NOT BE COPIED OR REPRODUCED
 WITHOUT AUTHORISATION FROM IP ENCLOSURES.
 www.ipenclosures.com.au

IMPORTANT NOTE:
 POLE MOUNTING BRACKETS ARE NOT INCLUDED
 AND MUST BE ORDERED SEPARATELY.

Itemref	Quantity	Title/Name, designation, material, dimension etc	Article No./Reference
IP	1	700x600x325 ALUM. FIELD CABINET-T33 (VENTILATED)	IP-A706032-T33
Designed by	Checked by	Approved by - date	Filename
IP	IP	15/04/25	IP-A706032-T33
			Date
			15/04/25
			Scale
			1:10
IP Enclosures			Edition
			2
			Sheet
			1/1