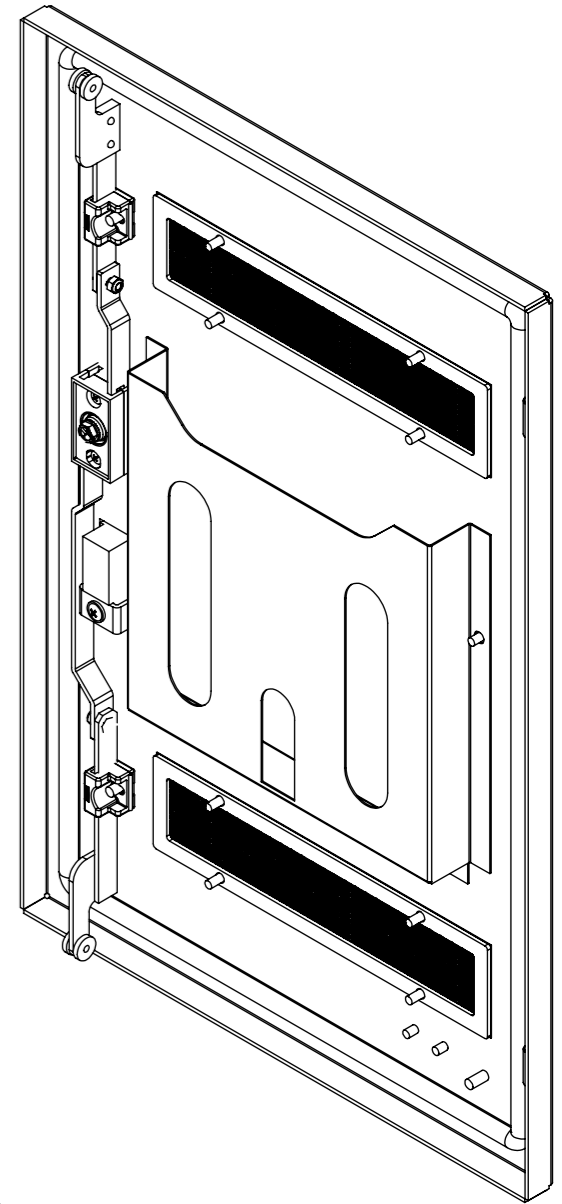
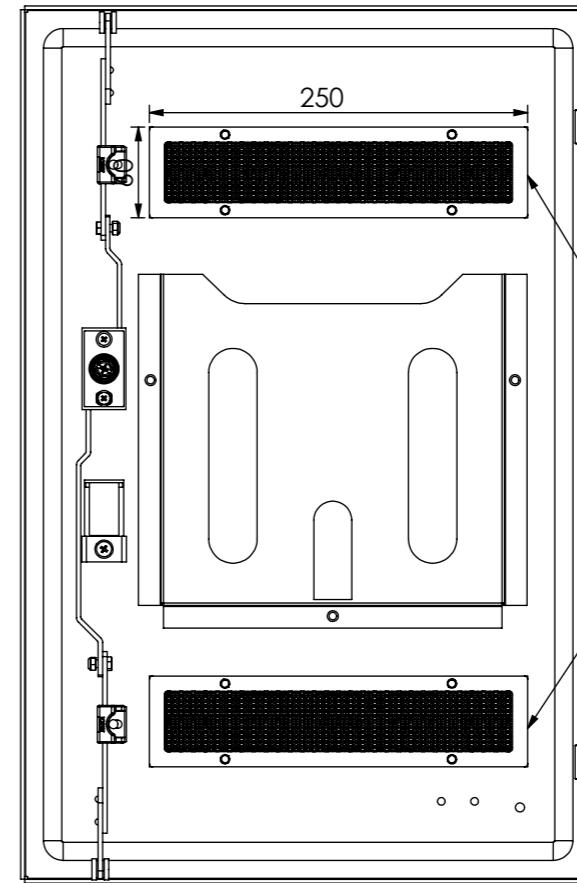
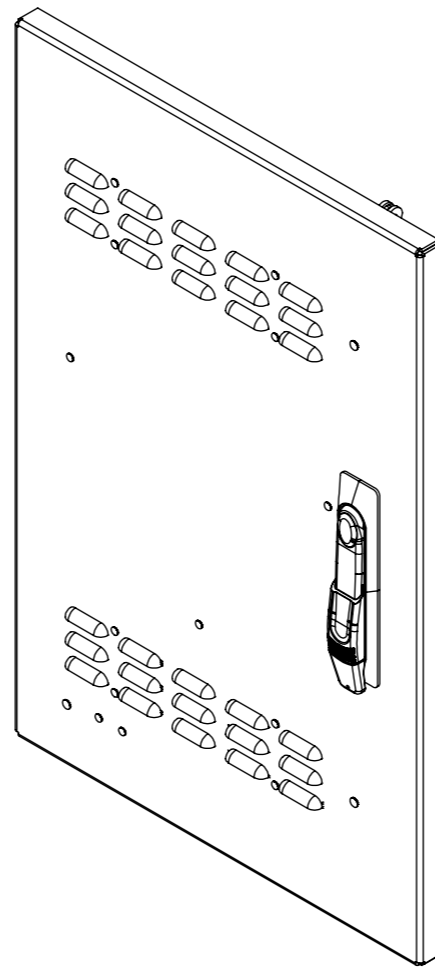
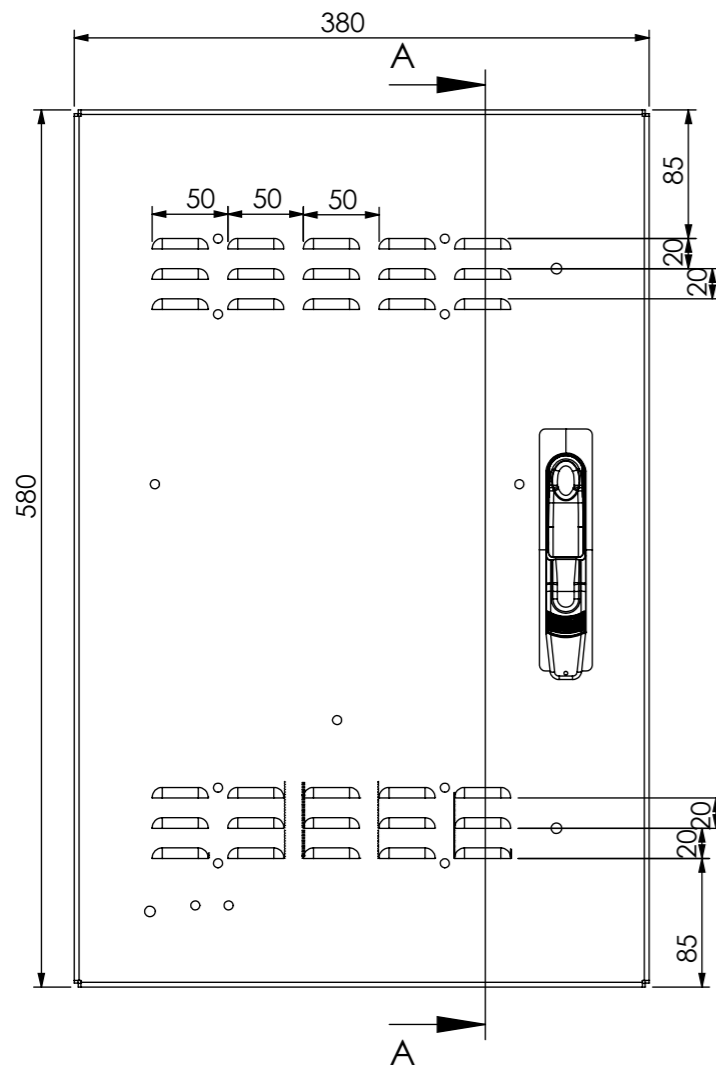


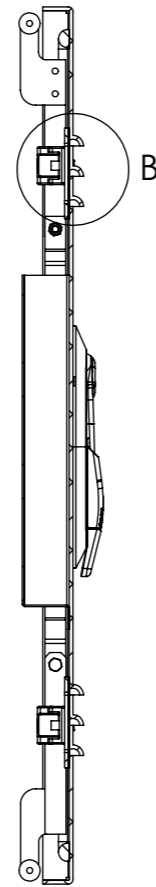
DETAIL B



steel wire mesh



SECTION A-A



		Dimensions in mm SCALE: <b>1:10</b>	CLIENT		
TOLERANCE/TOLERANS (+,-)0,5 MM		MATERIAL PAINT CODE		TITLE <b>IP-A6545VENTDOOR-T33</b>	
DESIGNER	NAME ISMAIL BOLAT	SIGNATURE	DATE 8.10.2021	DWG NO	Pag. A4
CHECKED				THICKNESS	SHEET OF 1