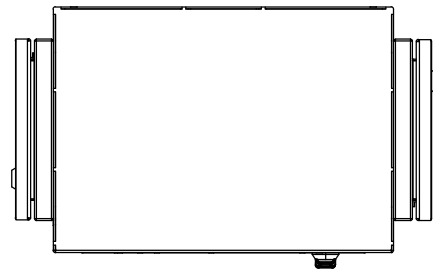
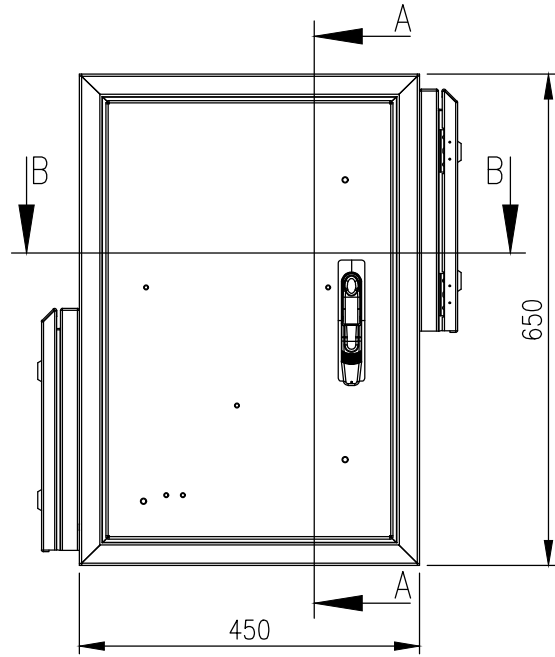


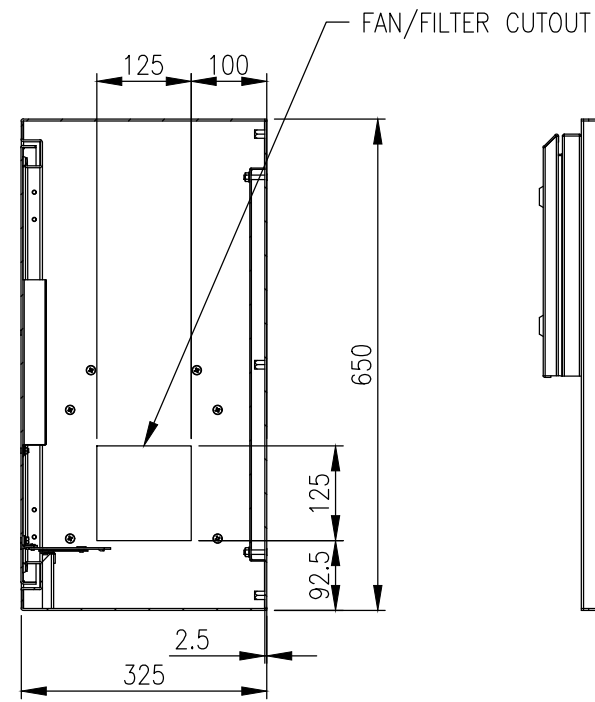
RevNo	Revision note	Date	Signature	Checked
2	GENERAL REVISION	15/04/25	IP	IP



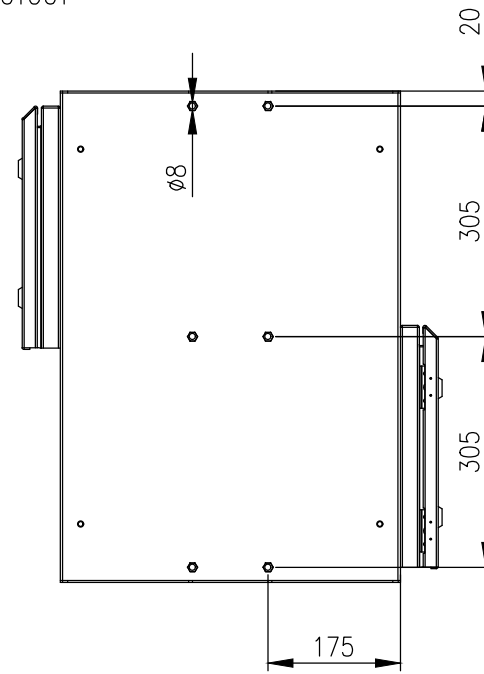
FRONT VIEW



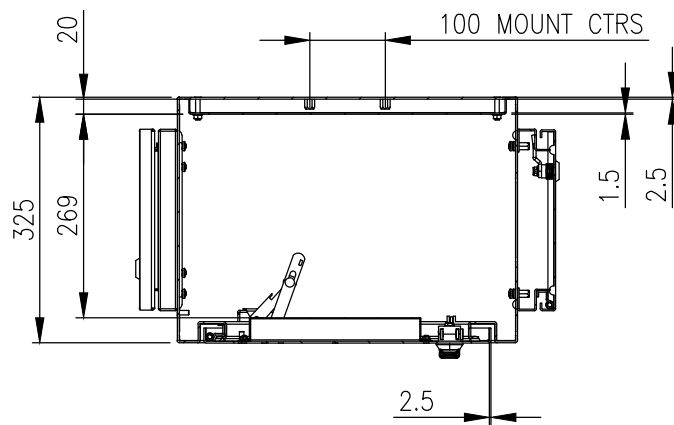
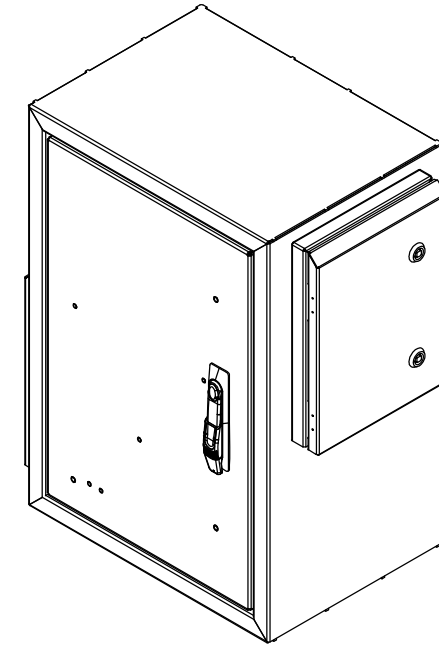
FRONT VIEW



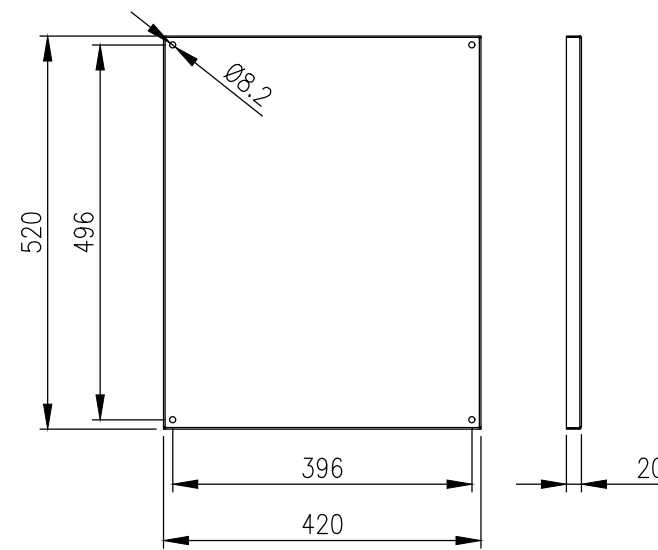
SECTION A-A



REAR VIEW



SECTION B-B



DEVICE MOUNTING PLATE

MATERIAL
 BODY: 2.5mm MARINE GRADE ALUMINIUM 5754-H111
 DOOR: 2.5mm MARINE GRADE ALUMINIUM 5754-H111
 DEVICE PLATE: 1.5mm GALVANISED STEEL SHEET
 SEAL: POLYURETHANE
 SURFACE TREATMENT: POWDER-COAT 80-120micron
 COLOUR: T33 SMOKE BLUE

MASS: 19.5Kg.

PROTECTION: IP55 IK10
 STANDARD: IEC/EN62208, IEC/EN/AS60529

© IP ENCLOSURES 2025.
 THIS DRAWING SHALL NOT BE COPIED OR REPRODUCED
 WITHOUT AUTHORISATION FROM IP ENCLOSURES.
 www.ipenclosures.com.au

IMPORTANT NOTE:

POLE MOUNTING BRACKETS ARE NOT INCLUDED
 AND MUST BE ORDERED SEPARATELY.

Itemref	Quantity	Title/Name, designation, material, dimension etc	Article No./Reference
IP	1	650x450x325 ALUM. FIELD CABINET-T33	IP-A654532-T33
Designed by	Checked by	Approved by - date	Date
IP	IP	15/04/25	15/04/25
			650x450x325 ALUM. FIELD CABINET-T33 (VENTILATED)
			IP-A654532-T33
			Edition 2
			Sheet 1/1