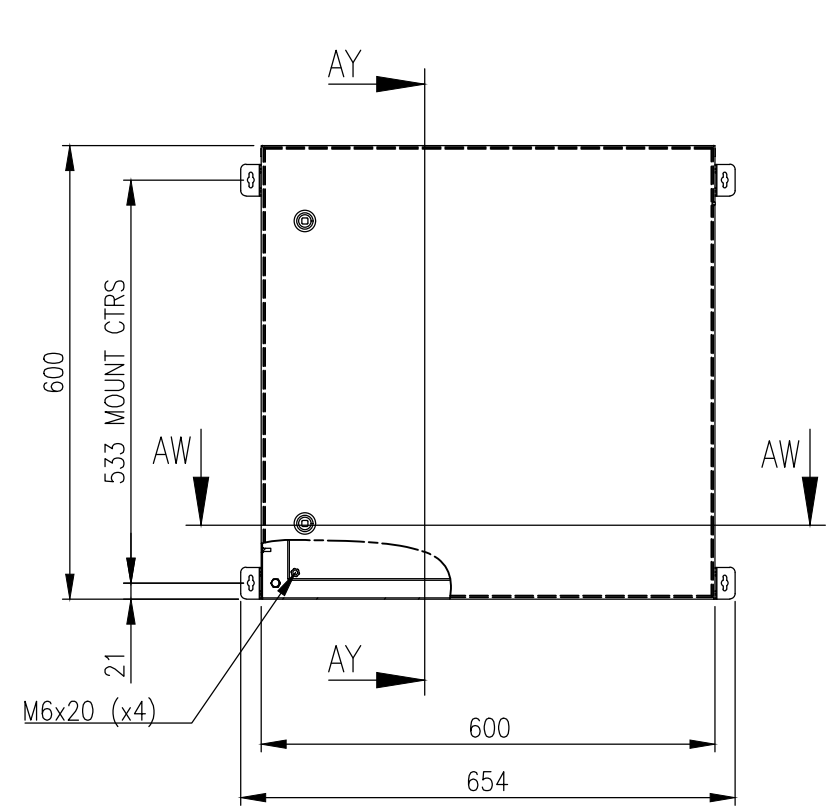
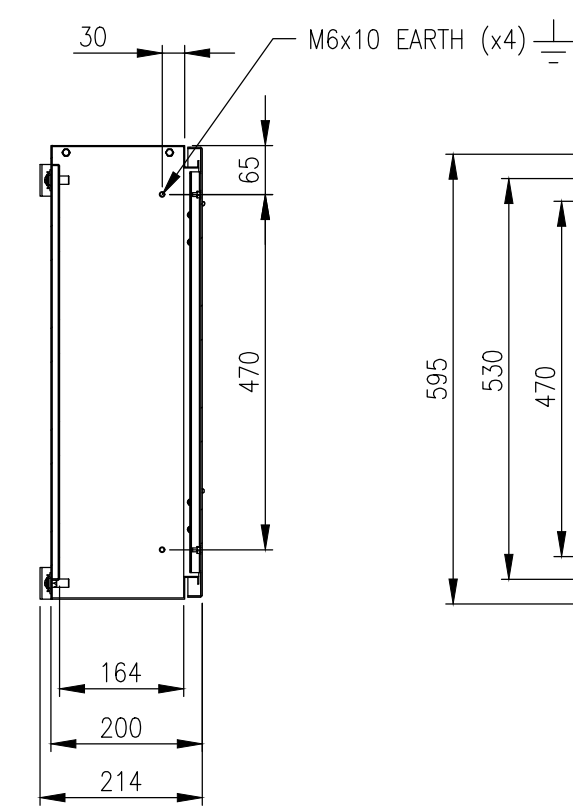


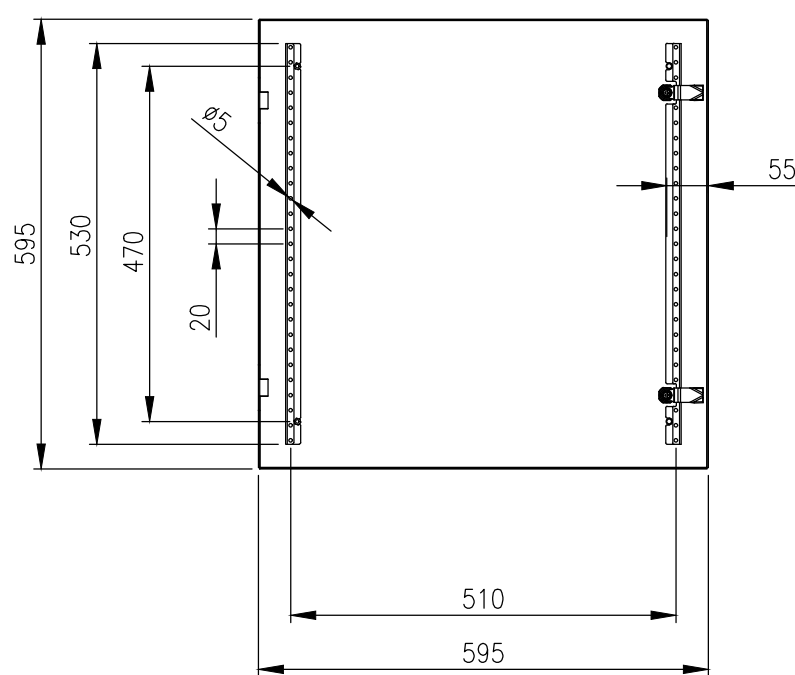
RevNo	Revision note	Date	Signature	Checked
1	GENERAL REVISION	26/03/25	IP	IP



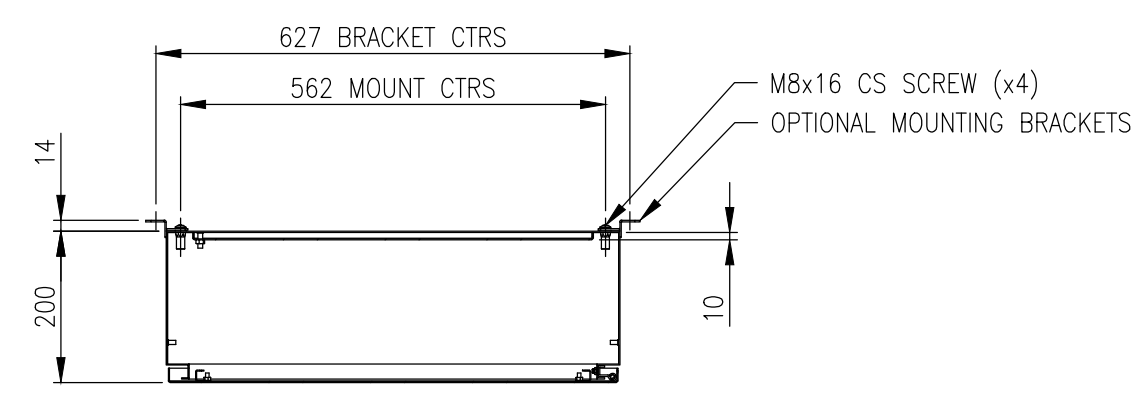
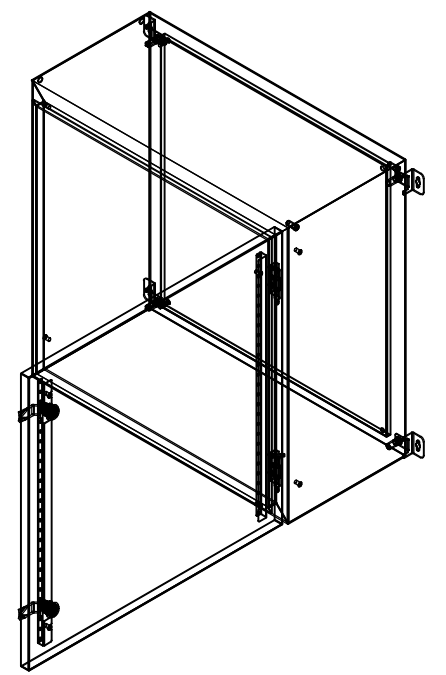
FRONT VIEW



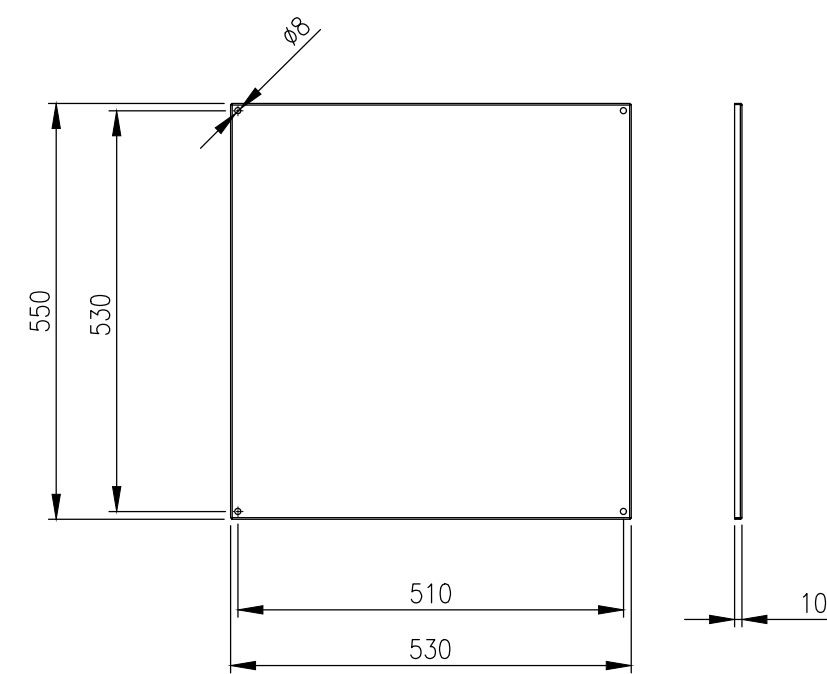
SECTION AY-AY



INSIDE DOOR VIEW



SECTION AW-AW



DEVICE MOUNTING PLATE

MATERIAL
 BODY: 2.5mm MARINE GRADE ALUMINUM
 DOOR: 2.5mm MARINE GRADE ALUMINUM
 DEVICE PLATE: 1.5mm GALVANISED STEEL SHEET
 SEAL: POLYURETHANE
 SURFACE TREATMENT: POWDER-COAT 80-120micron
 COLOUR RAL7035 LIGHT GREY

MASS: 18.0Kg.

PROTECTION: IP66 IK10
 STANDARD: IEC/EN62208, IEC/EN/AS60529

© IP ENCLOSURES 2016.
 THIS DRAWING SHALL NOT BE COPIED OR REPRODUCED
 WITHOUT AUTHORISATION FROM IP ENCLOSURES.
 www.ipenclosures.com.au

IMPORTANT NOTE:
 WALL MOUNTING BRACKETS ARE NOT INCLUDED
 AND MUST BE ORDERED SEPARATELY.

Itemref	Quantity	Title/Name, designation, material, dimension etc	Article No./Reference
IP	1	600x600x200 ALUMINIUM ENCLOSURE	IP-A606020
IP	1	600x600x200 ALUMINIUM ENCLOSURE	IP-A606020
IP	1	600x600x200 ALUMINIUM ENCLOSURE	IP-A606020



600x600x200 ALUMINIUM ENCLOSURE
 IP-A606020

Edition 1
 Sheet 1/1