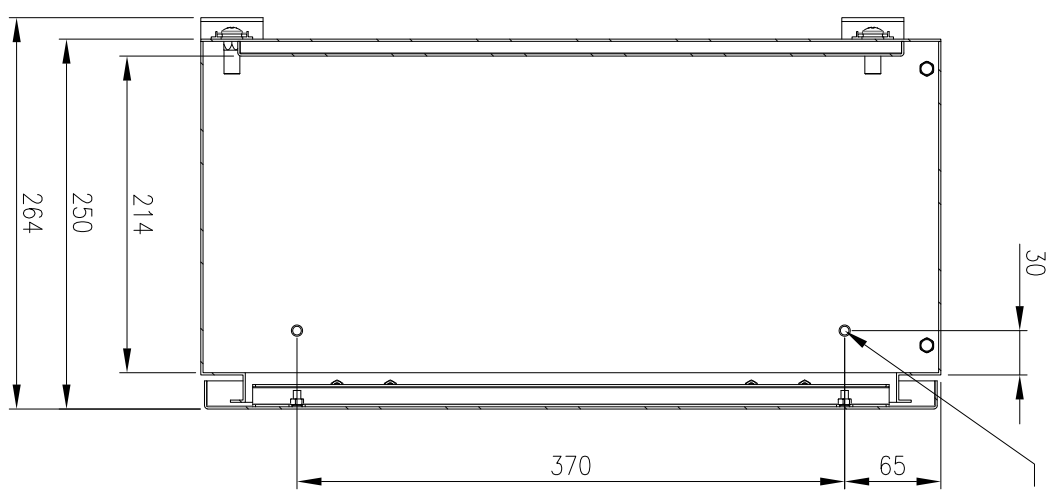
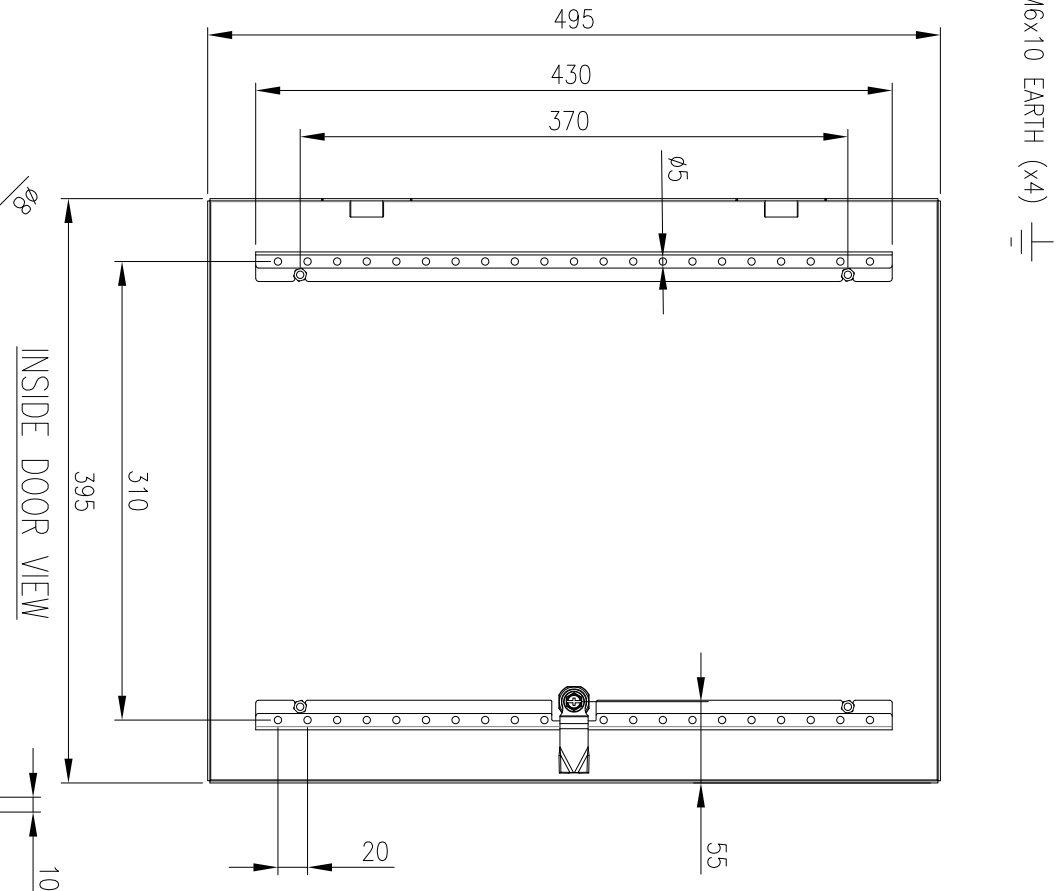


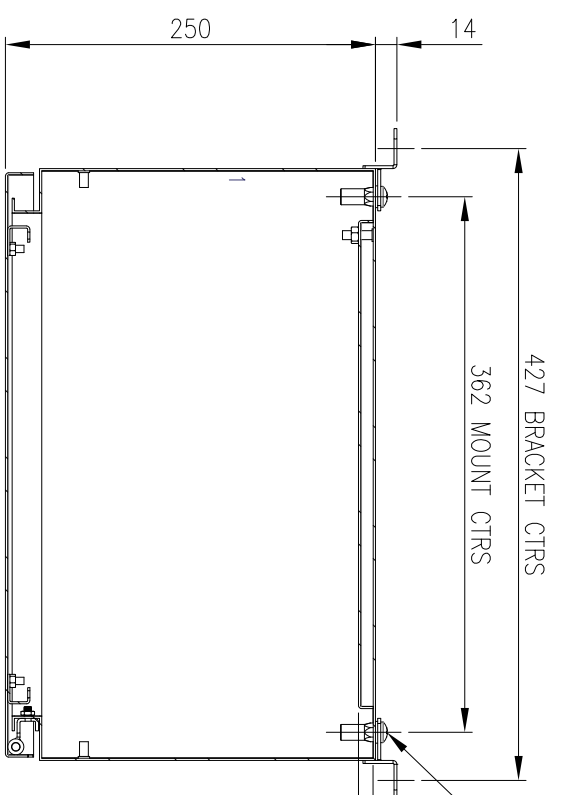
FRONT VIEW



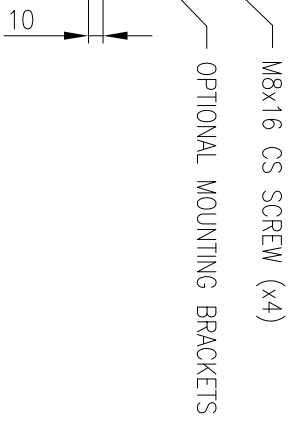
SECTION AV-AV



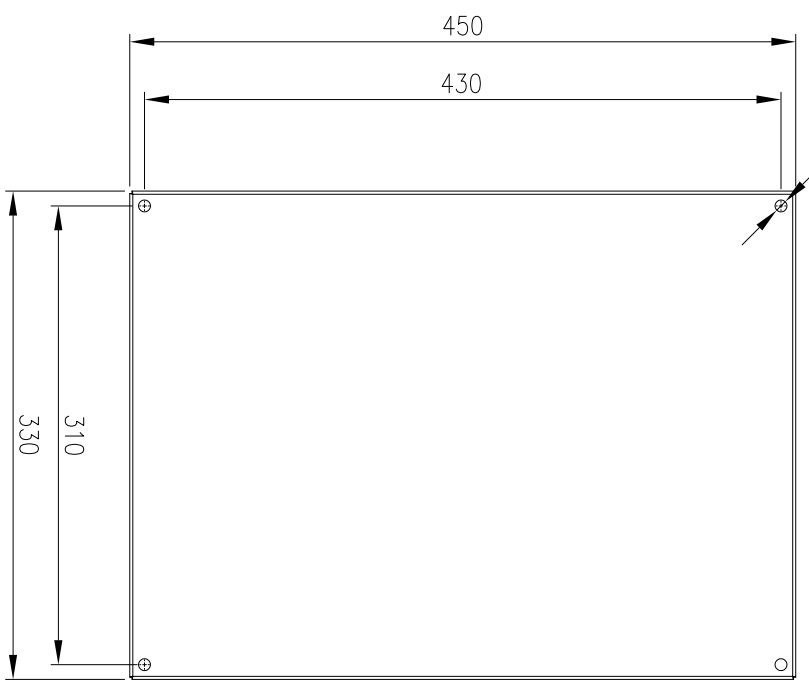
INSIDE DOOR VIEW



SECTION AW-AW



OPTIONAL MOUNTING BRACKETS



DEVICE MOUNTING PLATE

MATERIAL
 BODY: MARINE GRADE ALUMINUM
 DOOR: MARINE GRADE ALUMINUM
 DEVICE PLATE: 1.5mm GALV STEEL
 SEAL: POLYURETHANE

PROTECTION: IP66
STANDARD: IEC62208, IEC/EN/AS60529

Item#	Quantity	PartName, designation, material, dimension etc.	Article No./Reference	Scale
IP		Thickness, designation, material, dimension etc.		1:5
Designed by	Checked by	Approved by - date	Filename	Date
IP	IP	05/07/21	IP-AS6025-01	05/07/21
500x400x250 ALUMINIUM ENCLOSURE				1:5
IP-AS6025-01				0
				1/1

© IP ENCLOSURES 2016.
 THIS DRAWING SHALL NOT BE COPIED OR REPRODUCED
 WITHOUT AUTHORISATION FROM IP ENCLOSURES.
 www.ipenclosures.com.au

