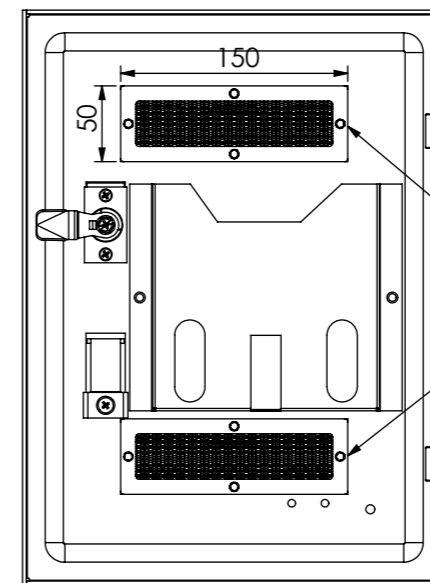
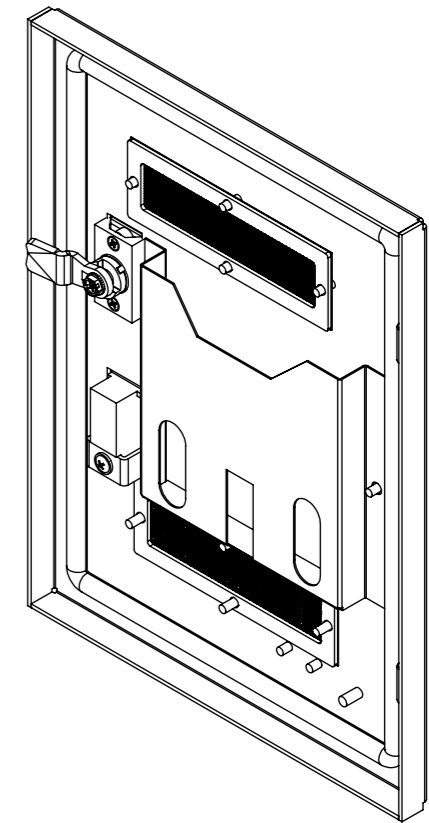
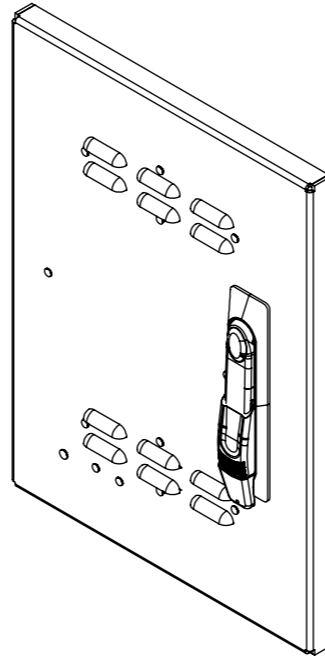


SECTION A-A



steel wire mesh

		Dimensions in mm SCALE: 1:10	CLIENT		
TOLERANCE/ TOLERANS (+,-)0,5 MM		MATERIAL PAINT CODE		TITLE IP-A4535VENTDOOR-T33	
DESIGNER	ISMAIL BOLAT	SIGNATURE	DATE	DWG NO	Pag. A4
CHECKED				THICKNESS	SHEET ¹ OF ¹