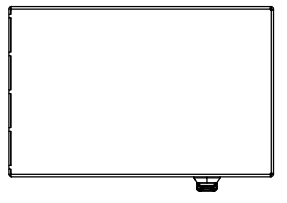
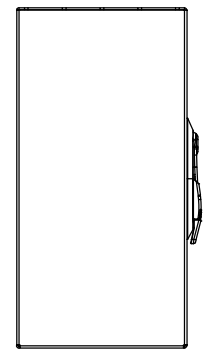
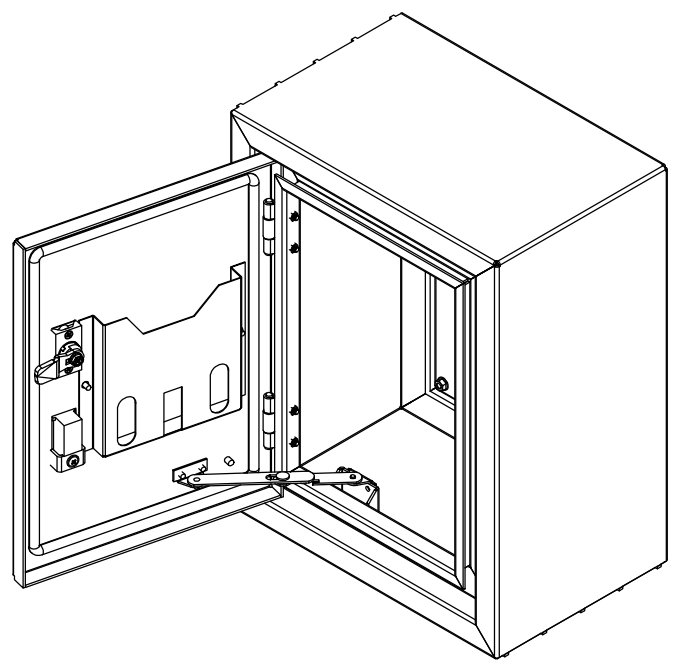


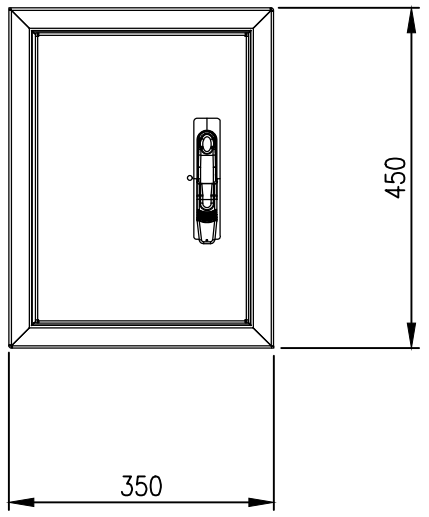
RevNo	Revision note	Date	Signature	Checked
1	GENERAL REVISION	31/03/23	IP	IP



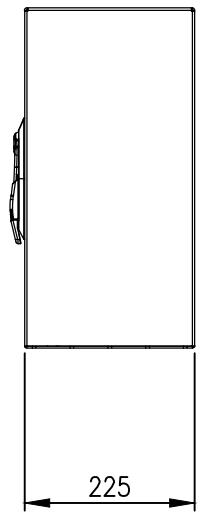
TOP VIEW



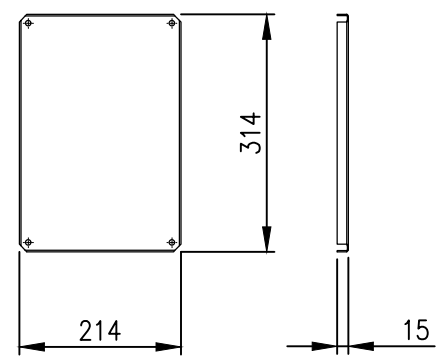
SIDE VIEW



FRONT VIEW



SIDE VIEW



DEVICE MOUNTING PLATE

**MATERIAL**  
 BODY: 2.5mm MARINE GRADE ALUMINIUM 5754-H111  
 DOOR: 2.5mm MARINE GRADE ALUMINIUM 5754-H111  
 SEAL: POLYURETHANE  
 SURFACE TREATMENT: POWDER-COAT 80-120micron

**PROTECTION:** IP66 (NON-VENTILATED)  
**STANDARD:** IEC62208, IEC/EN/AS60529

© IP ENCLOSURES 2016.  
 THIS DRAWING SHALL NOT BE COPIED OR REPRODUCED  
 WITHOUT AUTHORISATION FROM IP ENCLOSURES.  
 www.ipenclosures.com.au

Itemref	Quantity	Title/Name, designation, material, dimension etc	Article No./Reference
IP	1	450x350x225 ALUM FIELD CABINET (NV)	IP-A453522-0-T33
IP	1	DEVICE MOUNTING PLATE	IP-A453522-0-T33



Edition 1  
 Sheet 1/1