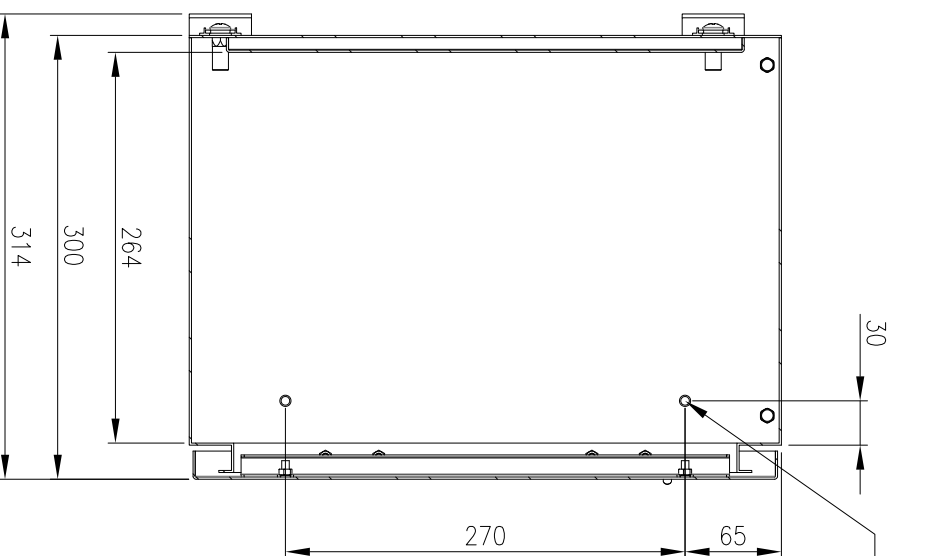
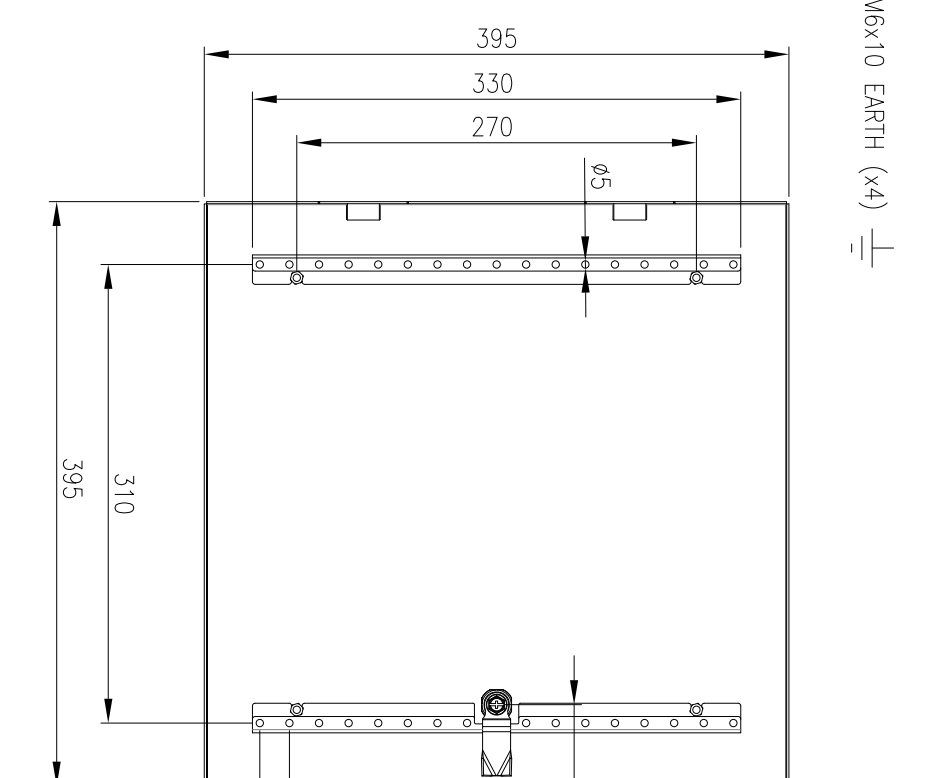


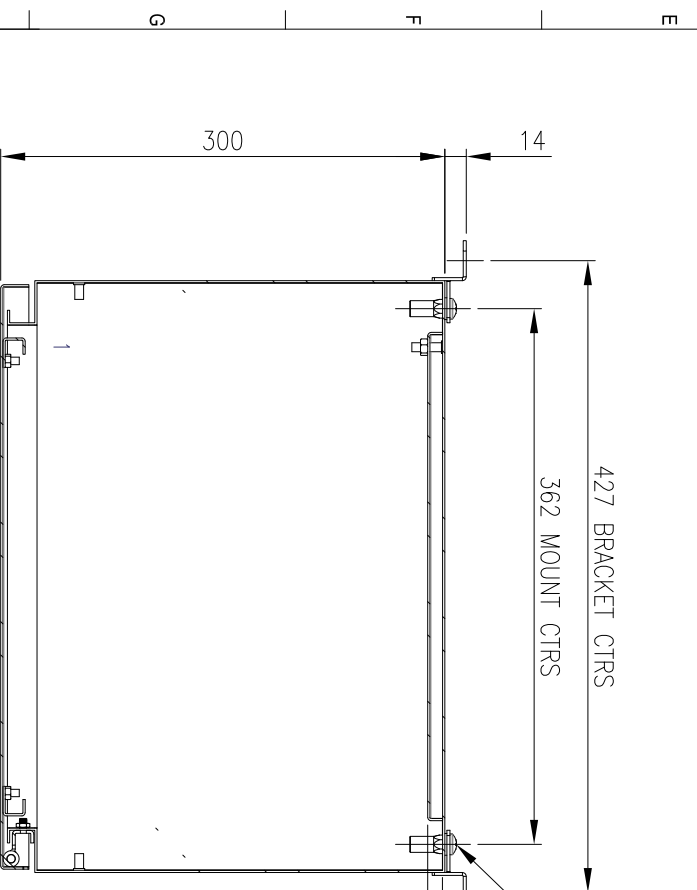
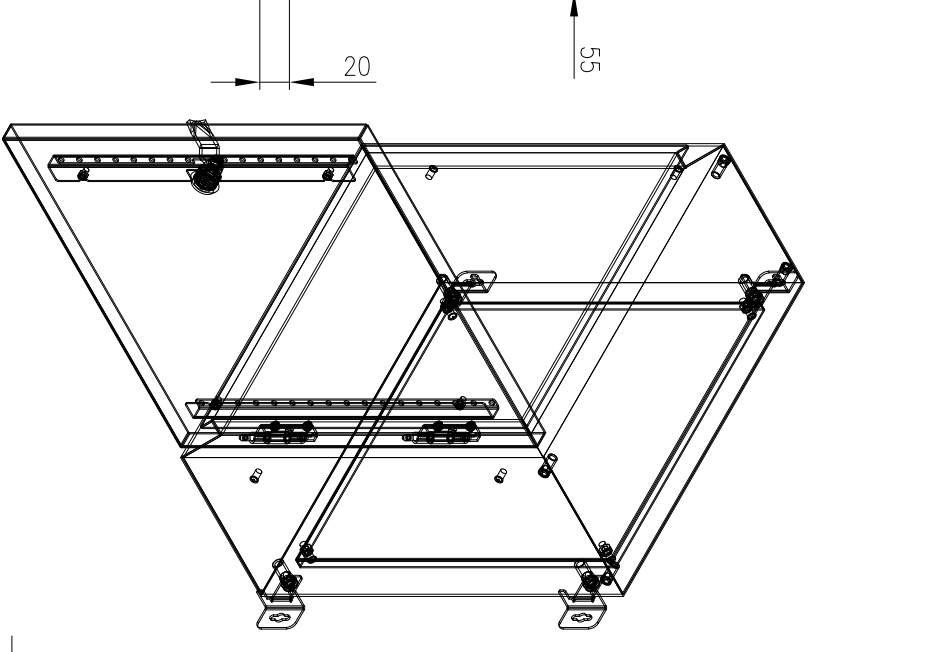
FRONT VIEW



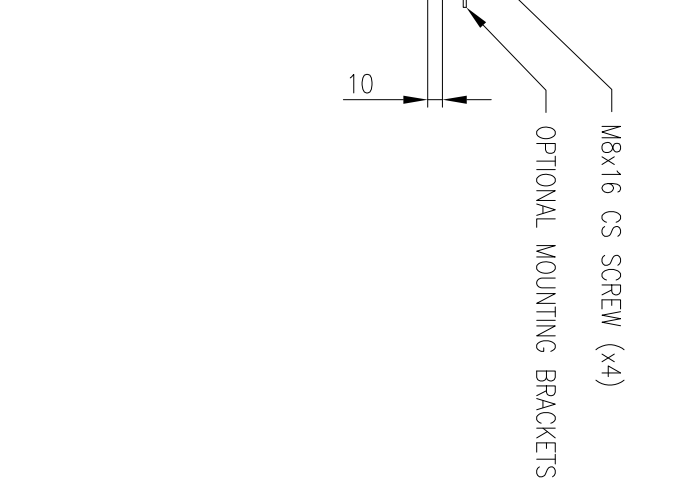
SECTION AV-AV



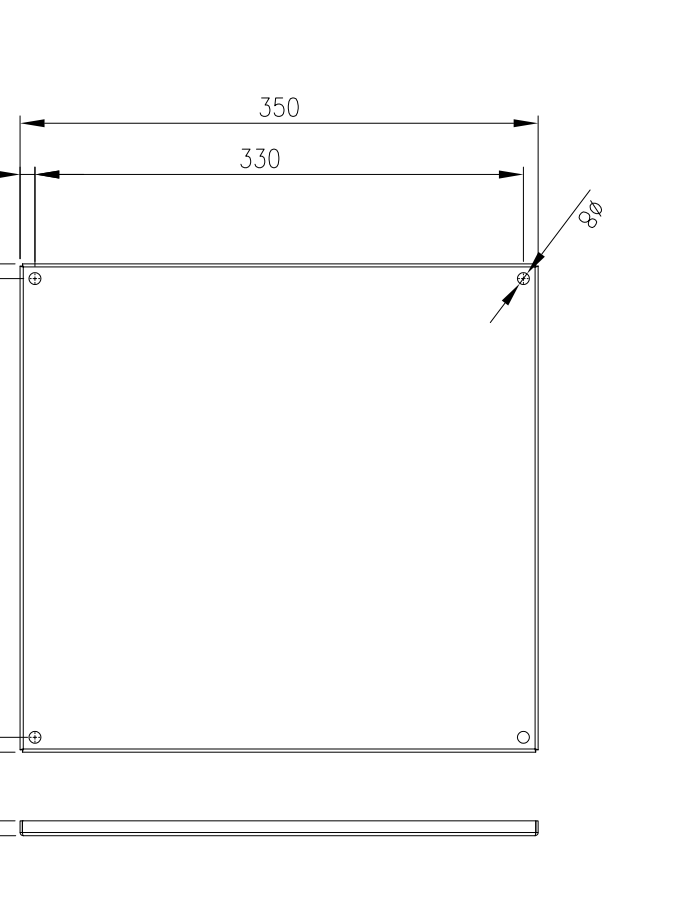
INSIDE DOOR VIEW



SECTION AW-AW



OPTIONAL MOUNTING BRACKETS



DEVICE MOUNTING PLATE

MATERIAL
 BODY: MARINE GRADE ALUMINUM
 DOOR: MARINE GRADE ALUMINUM
 DEVICE PLATE: 1.5mm GALV STEEL
 SEAL: POLYURETHANE
 PROTECTION: IP66
 STANDARD: IEC62208, IEC/EN/AS60529

© IP ENCLOSURES 2016.
 THIS DRAWING SHALL NOT BE COPIED OR REPRODUCED
 WITHOUT AUTHORISATION FROM IP ENCLOSURES.
 www.ipenclosures.com.au

Item#	Quantity	TradeName, designation, material, dimension etc.	Article No./Reference	Scale
IP		400x400x300 ALUMINIUM ENCLOSURE		1:5
IP Enclosures 400x400x300 ALUMINIUM ENCLOSURE IP-A404030-01				1/1