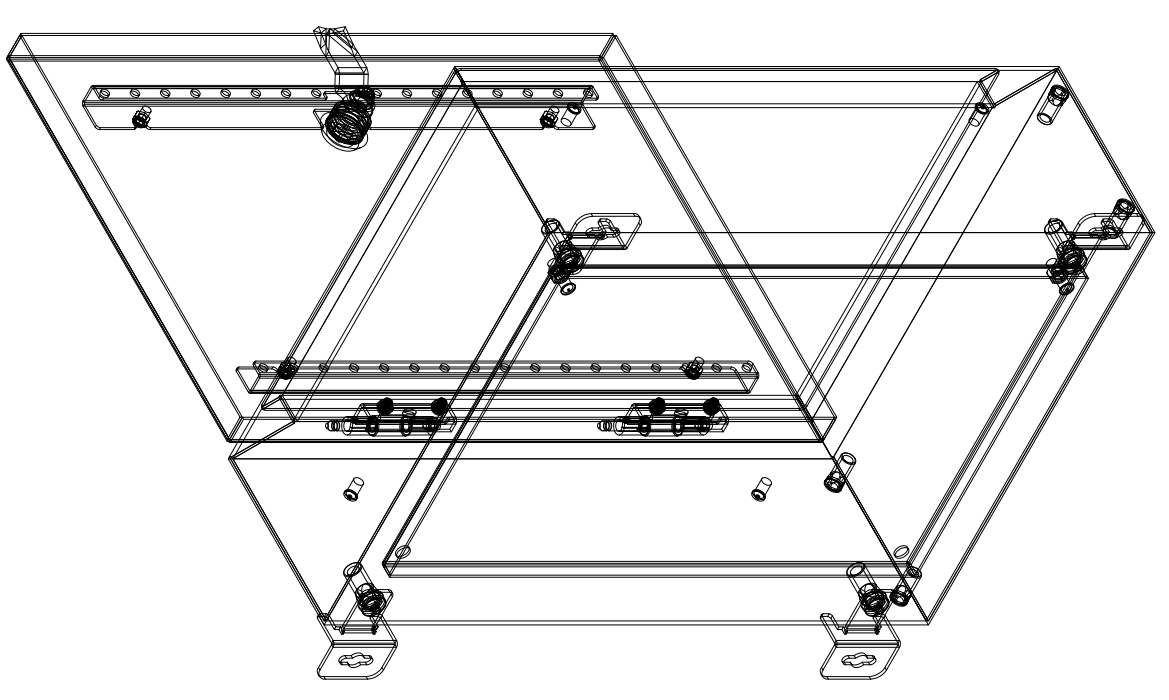
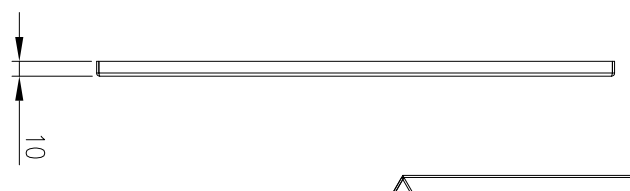


DEVICE MOUNTING PLATE



MATERIAL
 BODY: MARINE GRADE ALUMINUM
 DOOR: MARINE GRADE ALUMINUM
 DEVICE PLATE: 1.5mm GALV STEEL
 SEAL: POLYURETHANE

PROTECTION: IP66
STANDARD: IEC62208, IEC/EN/AS60529

© IP ENCLOSURES 2016.
 THIS DRAWING SHALL NOT BE COPIED OR REPRODUCED
 WITHOUT AUTHORISATION FROM IP ENCLOSURES.
 www.ipenclosures.com.au

Item#	Quantity	PartName, designation, material, dimension etc.	Article No./Reference	Scale
IP		Designed by	Filename	1:5
IP		Checked by	IP-A403015-01	
IP		Approved by - date	05/07/21	
400x300x150 ALUMINIUM ENCLOSURE				
IP-A403015-01				
Edition				0
Sheet				1/1

