

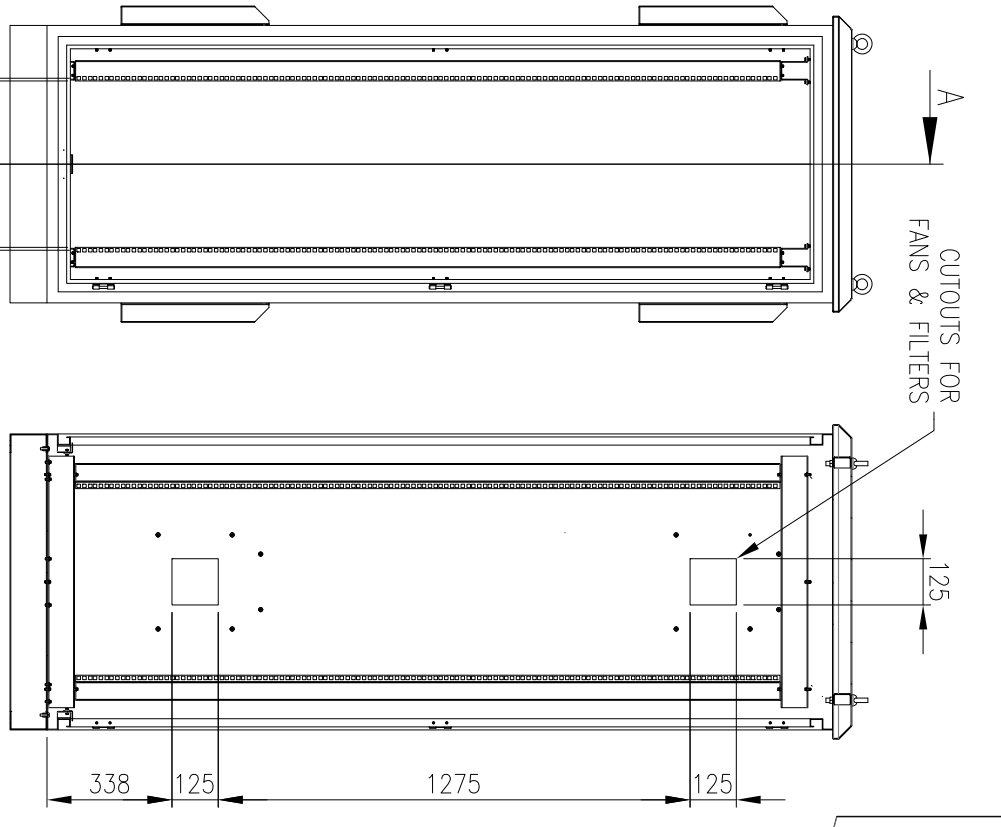
FRONT VIEW
(ASSEMBLY)

SIDE VIEW

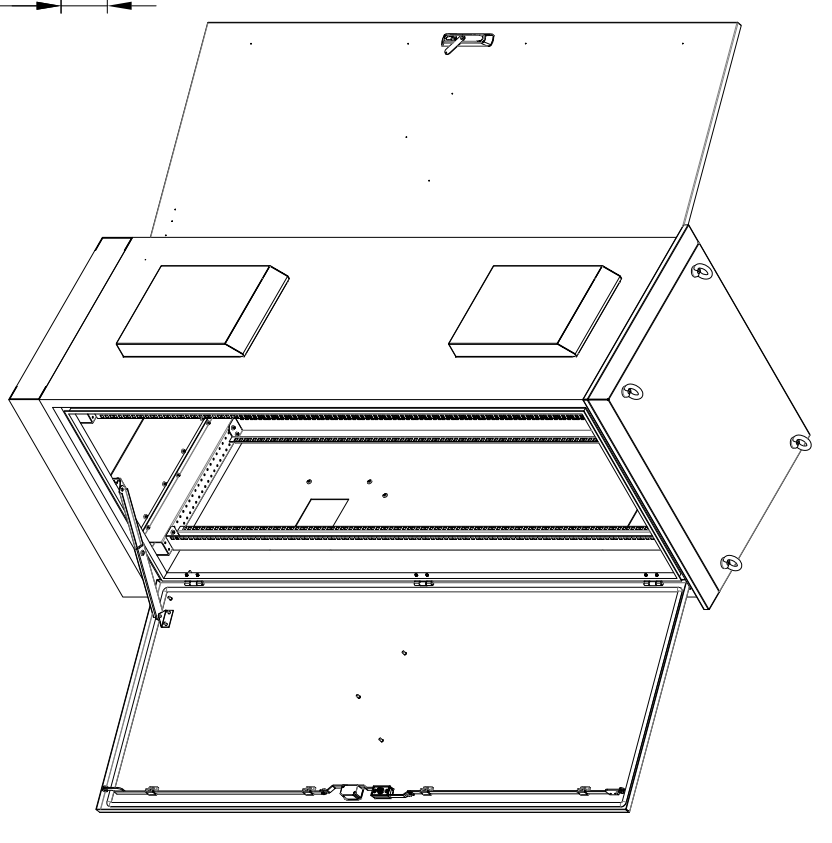
SIDE VIEW

FRONT VIEW
(FRONT DOOR REMOVED)

SECTION A-A



CUTOUPS FOR
FANS & FILTERS



MATERIAL
 BODY AND PLINTH: 2.5mm MARINE GRADE ALUMINIUM
 DOORS: 2.5mm MARINE GRADE ALUMINIUM
 19" DATA RAILS: 1.5mm 316 STAINLESS STEEL
 GLAND PLATE: 3mm ALUMINIUM
 SEAL: POLYURETHANE
 SURFACE TREATMENT: POWDER-COAT 80-120micron
 COLOUR: T33 SMOKE BLUE, SMOOTH FINISH

PROTECTION: IP66 (EXCLUDING FANS/FILTER CUTOUTS)
 STANDARD: IEC62208, IEC/EN/AS60529, EIA-310D

© IP ENCLOSURES 2017.
 THIS DRAWING SHALL NOT BE COPIED OR REPRODUCED
 WITHOUT AUTHORISATION FROM IP ENCLOSURES.
 www.ipenclosures.com.au

Item#	Quantity	TradeName, designation, material, dimension etc.	Article No./Reference	Scale
IP	1	42RU CABINET ALUMINIUM 2275x750x800	2275x750x800	1:20
IP	2	IP-A2277580-T33	IP-A2277580-T33	1/1"

