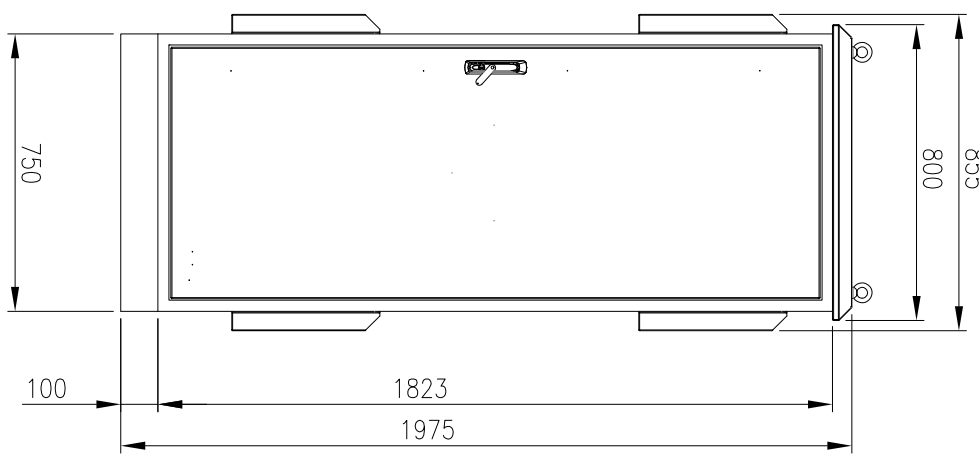
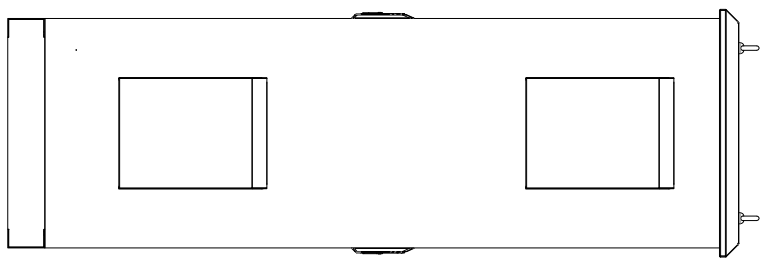
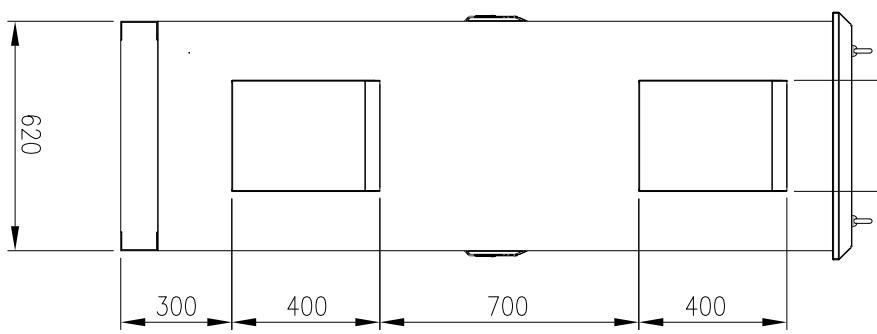


855

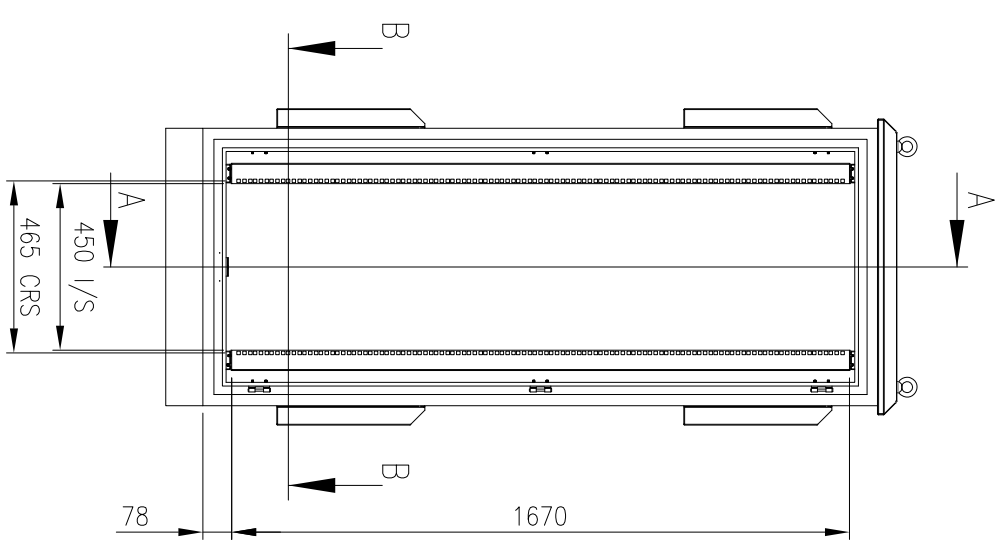
800



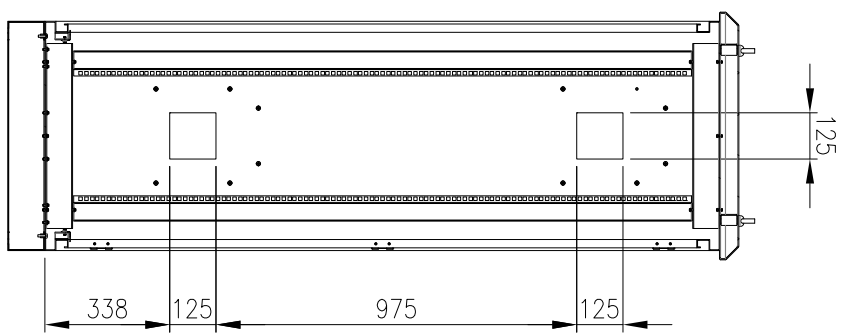
FRONT VIEW
(ASSEMBLY)



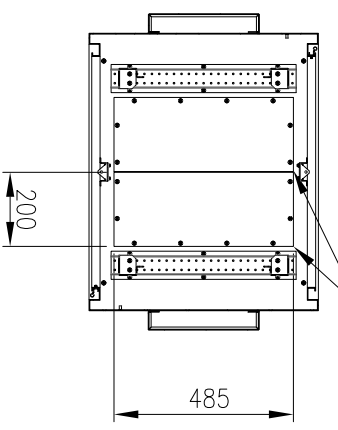
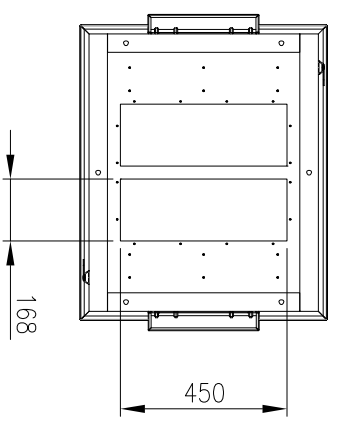
SIDE VIEW



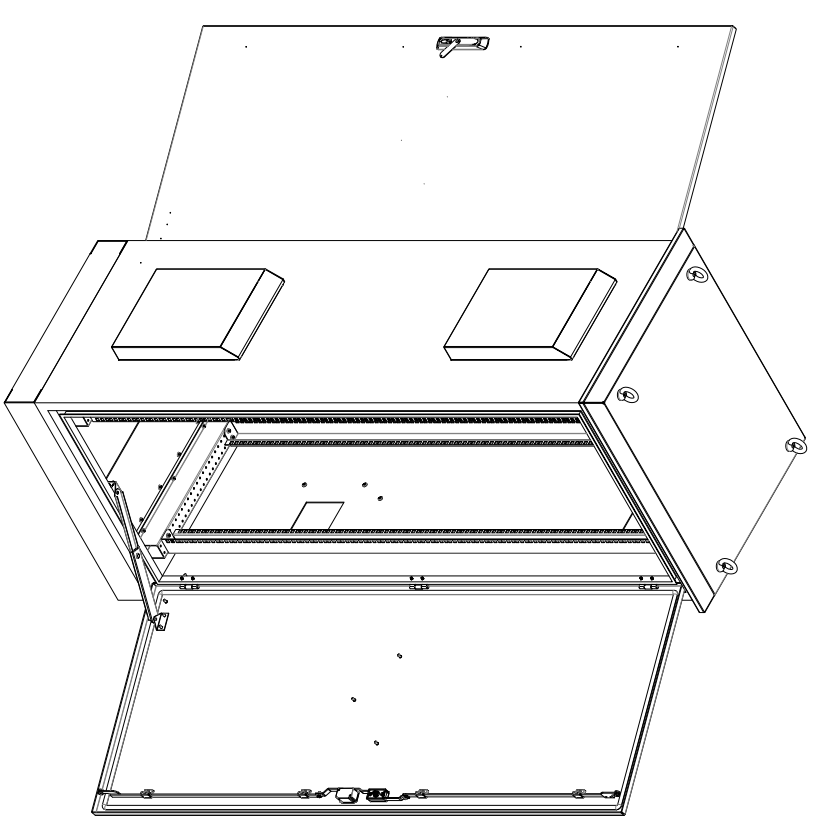
FRONT VIEW
(FRONT DOOR REMOVED)



SECTION A-A



SECTION B-B



MATERIAL
 BODY AND PLINTH: 2.5mm MARINE GRADE ALUMINIUM
 DOORS: 2.5mm MARINE GRADE ALUMINIUM
 19" DATA RAILS: 1.5mm 316 STAINLESS STEEL
 GLAND PLATE: 3mm ALUMINIUM
 SEAL: POLYURETHANE
 SURFACE TREATMENT: POWDER-COAT 80-120micron
 COLOUR: T33 SMOKE BLUE, SMOOTH FINISH

PROTECTION: IP66 (EXCLUDING FANS/FILTER CUTOUTS)
 STANDARD: IEC62208, IEC/EN/AS60529, EIA-310D

© IP ENCLOSURES 2017.
 THIS DRAWING SHALL NOT BE COPIED OR REPRODUCED
 WITHOUT AUTHORISATION FROM IP ENCLOSURES.
 www.ipenclosures.com.au

Item#	Quantity	TradeName, designation, material, dimension etc.	Article No./Reference	Scale
IP	1	36RU IP66 19" CABINET ALUMINIUM	IP-A1977562-133	1:20
IP	1	36RU IP66 19" CABINET ALUMINIUM	IP-A1977562-133	1:1

