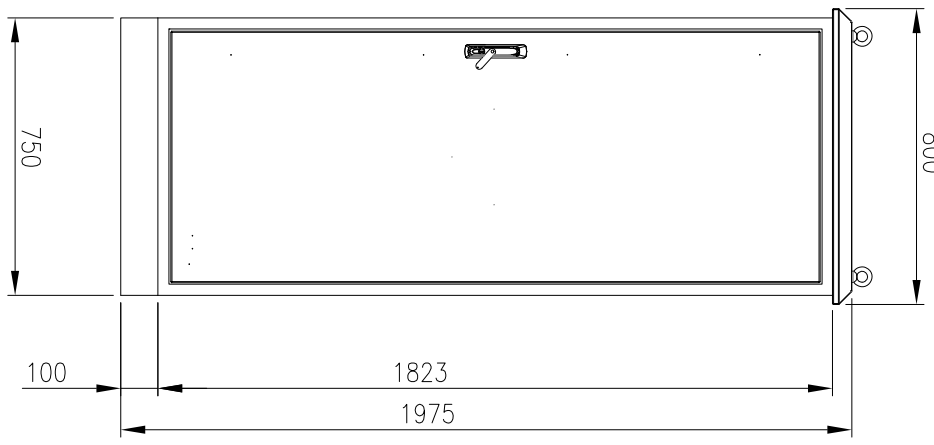
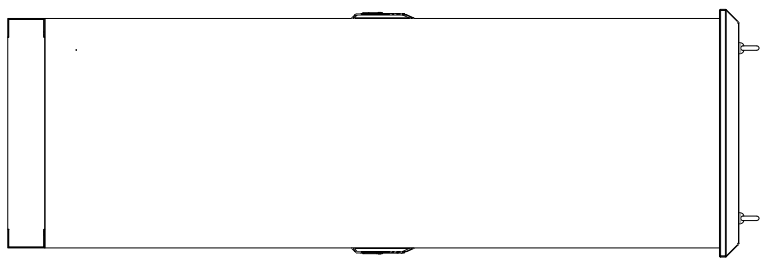
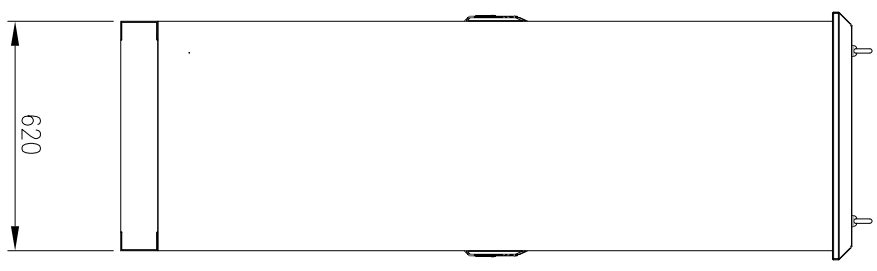


800

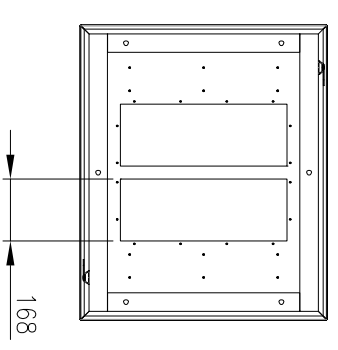


SIDE VIEW

FRONT VIEW  
(ASSEMBLY)



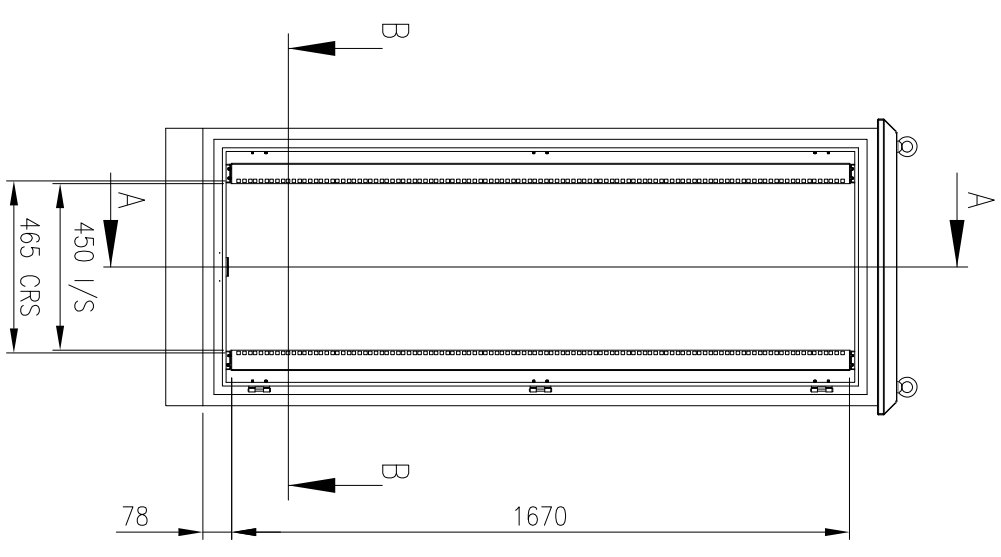
620



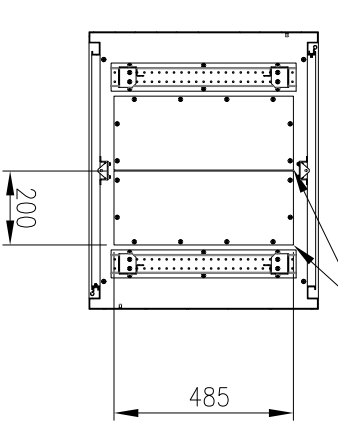
168

SIDE VIEW

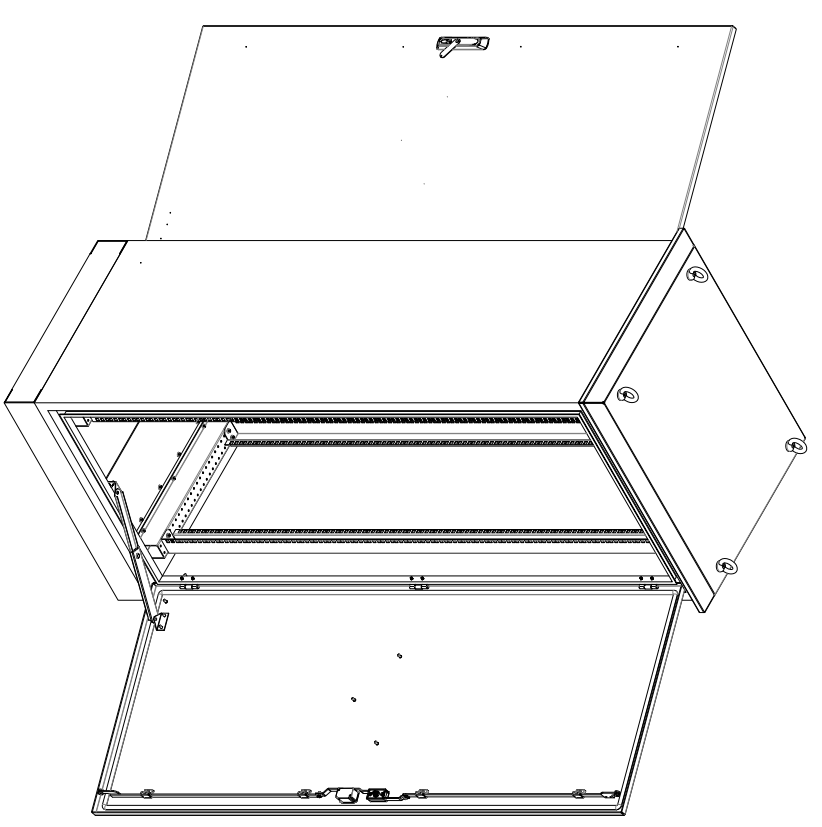
FRONT VIEW  
(FRONT DOOR REMOVED)



SECTION A-A



SECTION B-B  
3mm ALUMINIUM GLAND PLATES



**MATERIAL**  
 BODY AND PLINTH: 2.5mm MARINE GRADE ALUMINIUM  
 DOORS: 2.5mm MARINE GRADE ALUMINIUM  
 19" DATA RAILS: 1.5mm 316 STAINLESS STEEL  
 GLAND PLATE: 3mm ALUMINIUM  
 SEAL: POLYURETHANE  
 SURFACE TREATMENT: POWDER-COAT 80-120micron  
 COLOUR: T33 SMOKE BLUE, SMOOTH FINISH

PROTECTION: IP66  
 STANDARD: IEC62208, IEC/EN/AS60529, EIA-310D

© IP ENCLOSURES 2017.  
 THIS DRAWING SHALL NOT BE COPIED OR REPRODUCED  
 WITHOUT AUTHORISATION FROM IP ENCLOSURES.  
 www.ipenclosures.com.au

Item#	Quantity	TradeName, designation, material, dimension etc.	Article No./Reference	Scale
IP	1	36RU ALUMINIUM 1975x750x800 NO VENTS	IP-A1977562-0-133	1:20
IP Enclosures IP-A1977562-0-133				1/1