

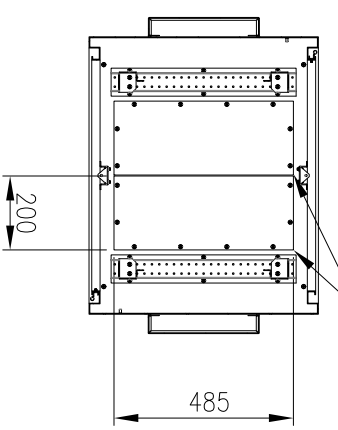
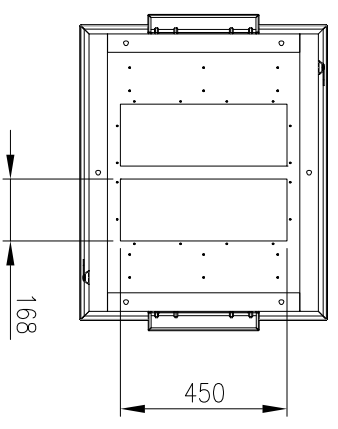
SIDE VIEW

FRONT VIEW  
(ASSEMBLY)

SIDE VIEW

FRONT VIEW  
(FRONT DOOR REMOVED)

SECTION A-A



SECTION B-B

**MATERIAL**  
 BODY AND PLINTH: 2.5mm MARINE GRADE ALUMINIUM  
 DOORS: 2.5mm MARINE GRADE ALUMINIUM  
 19" DATA RAILS: 1.5mm 316 STAINLESS STEEL  
 GLAND PLATE: 3mm ALUMINIUM  
 SEAL: POLYURETHANE  
 SURFACE TREATMENT: POWDER-COAT 80-120micron  
 COLOUR: T33 SMOKE BLUE, SMOOTH FINISH

PROTECTION: IP66 (EXCLUDING FANS/FILTER CUTOUTS)  
 STANDARD: IEC62208, IEC/EN/AS60529, EIA-310D

© IP ENCLOSURES 2017.  
 THIS DRAWING SHALL NOT BE COPIED OR REPRODUCED  
 WITHOUT AUTHORISATION FROM IP ENCLOSURES.  
 www.ipenclosures.com.au

Item#	Quantity	TradeName, designation, material, dimension etc.	Article No./Reference
IP	1	30RU IP66 19" CABINET ALUMINIUM	IP-A1677562-133

Designed by	Checked by	Approved by - date	Filename	Date	Scale
IP	IP	05/08/19	30RU IP66 19" CABINET ALUMINIUM	05/08/19	1:20

IP Enclosures	IP-A1677562-133	2	1/1
---------------	-----------------	---	-----