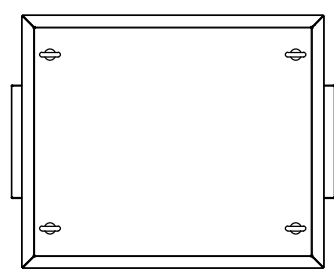
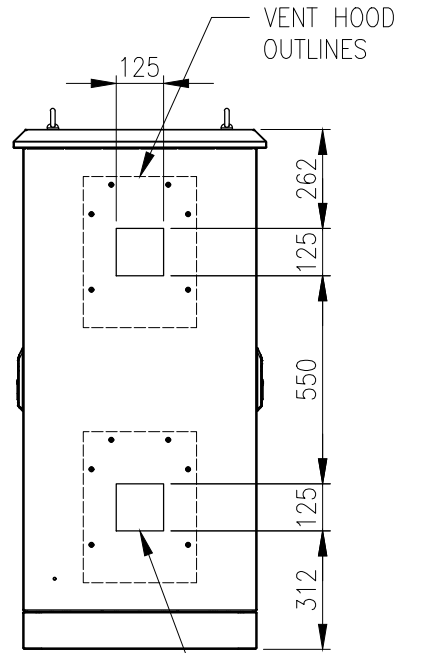


RevNo	Revision note	Date	Signature	Checked
3	GENERAL REVISION	05/11/24	IP	IP

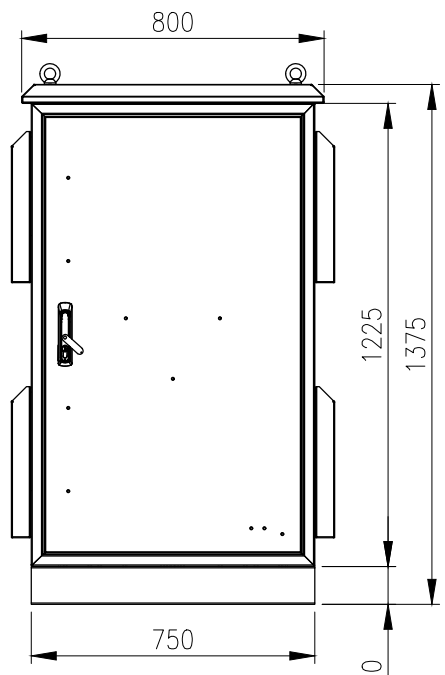


TOP VIEW

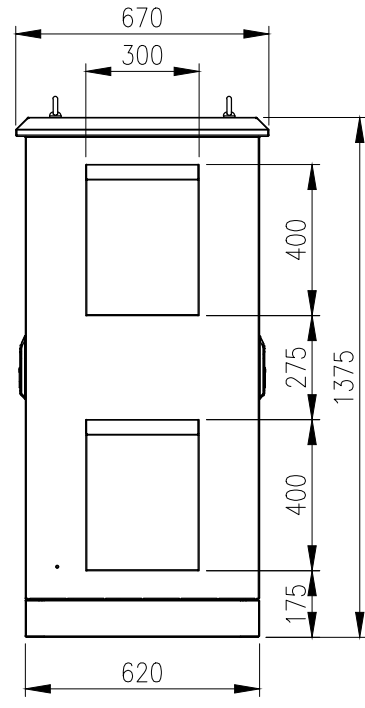


LEFT SIDE VIEW

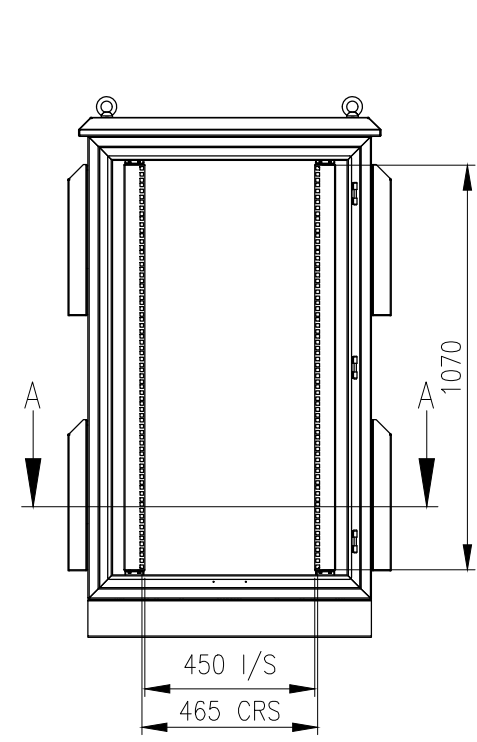
VENT HOOD OUTLINES  
CUTOUTS FOR FANS & FILTERS



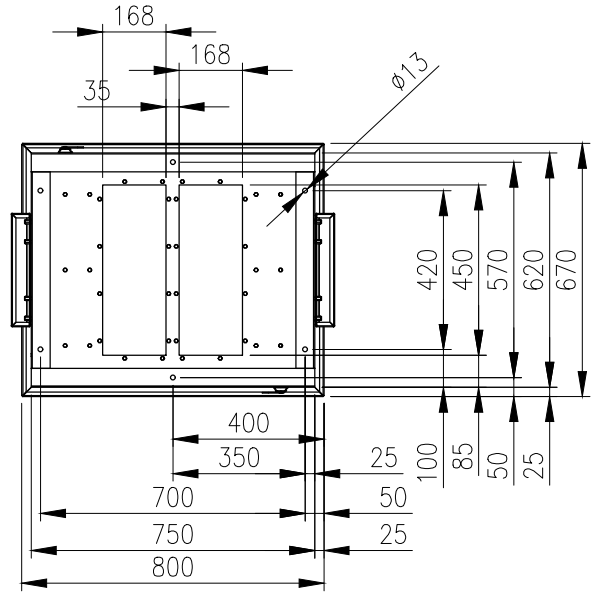
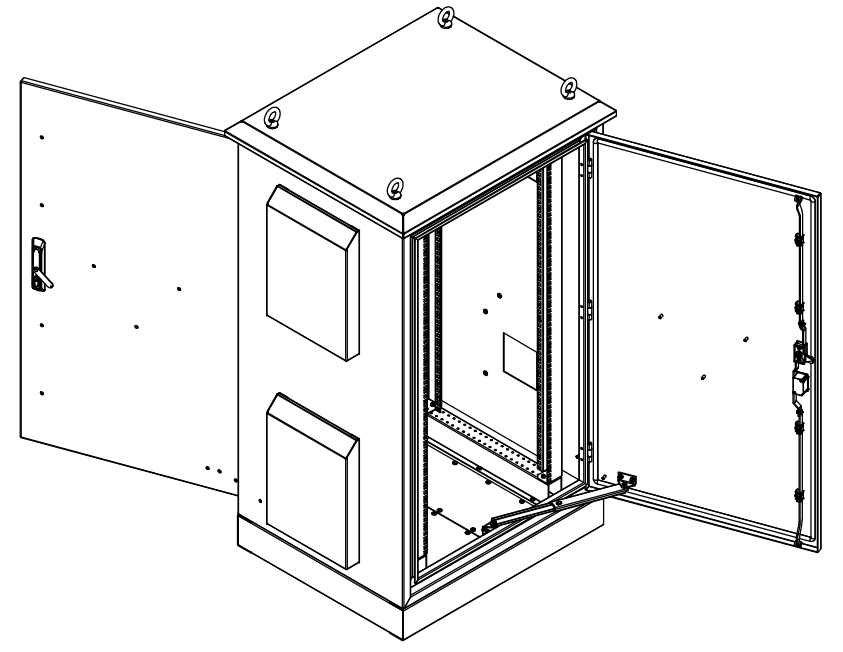
FRONT VIEW (ASSEMBLY)



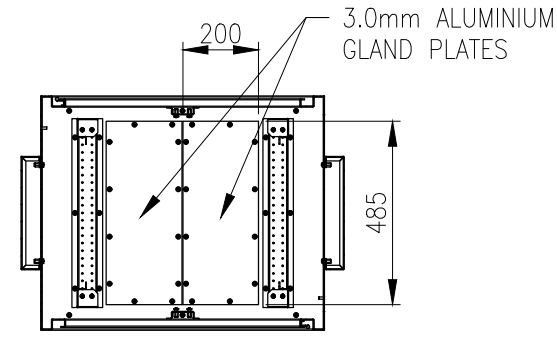
RIGHT SIDE VIEW



FRONT VIEW (FRONT DOOR REMOVED)



BOTTOM VIEW



SECTION A-A

**MATERIAL**  
 BODY AND PLINTH: 2.5mm MARINE GRADE ALUMINIUM  
 DOORS: 2.5mm MARINE GRADE ALUMINIUM  
 19" DATA RAILS: 1.5mm GALVANISED STEEL SHEET  
 GLAND PLATE: 3.0mm ALUMINIUM  
 SEAL: POLYURETHANE  
 SURFACE TREATMENT: POWDER-COAT 80-120micron  
 COLOUR: T33 SMOKE BLUE, SMOOTH FINISH

PROTECTION: IP55 IK10 (EXCLUDING FAN/  
 FILTER CUTOUTS)  
 STANDARD: IEC/EN62208, IEC/EN/AS60529, EIA-310D

© IP ENCLOSURES 2017.  
 THIS DRAWING SHALL NOT BE COPIED OR REPRODUCED  
 WITHOUT AUTHORISATION FROM IP ENCLOSURES.  
 www.ipenclosures.com.au

Itemref	Quantity	Title/Name, designation, material, dimension etc	Article No./Reference
Designed by IP	Checked by IP	Approved by - date 05/08/19	Filename IP-A1377562-T33
		Date 05/08/19	Scale 1:20
			24RU CABINET ALUMINIUM 1375x750x620
IP-A1377562-T33			Edition 3
			Sheet 1/1