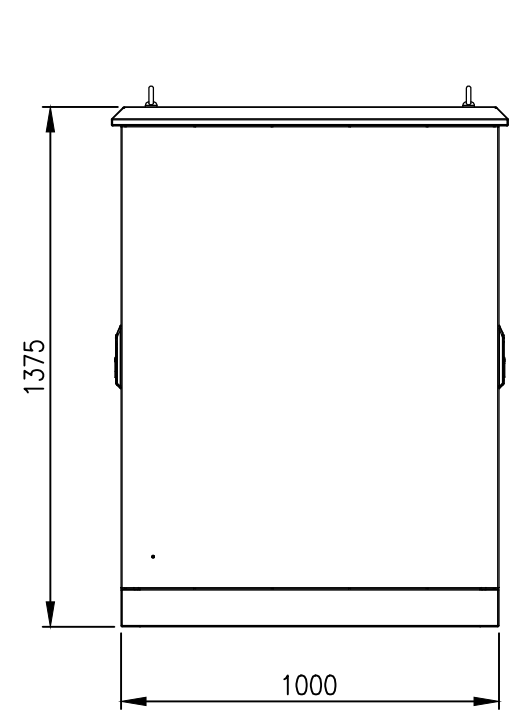
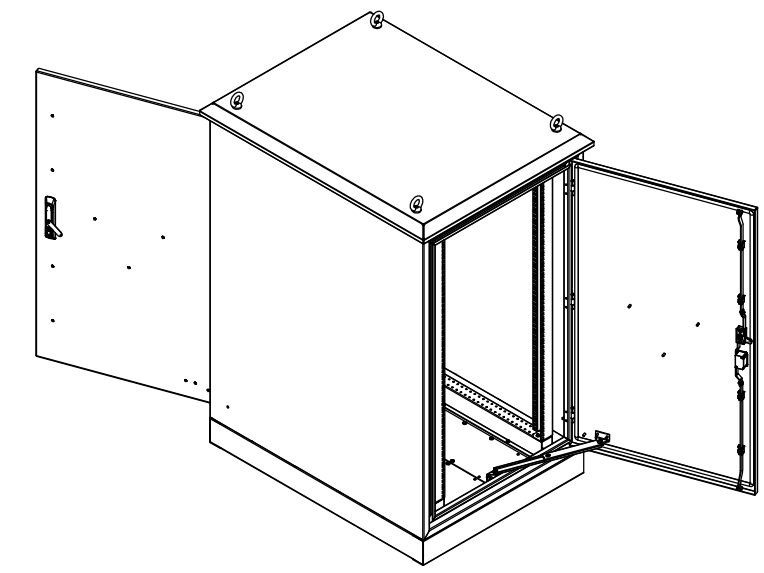
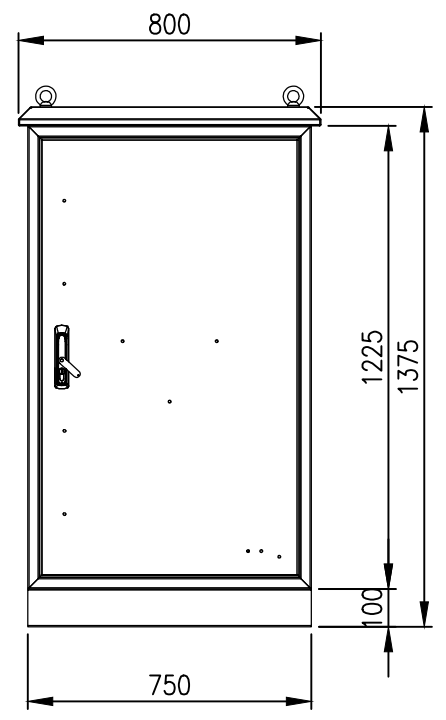


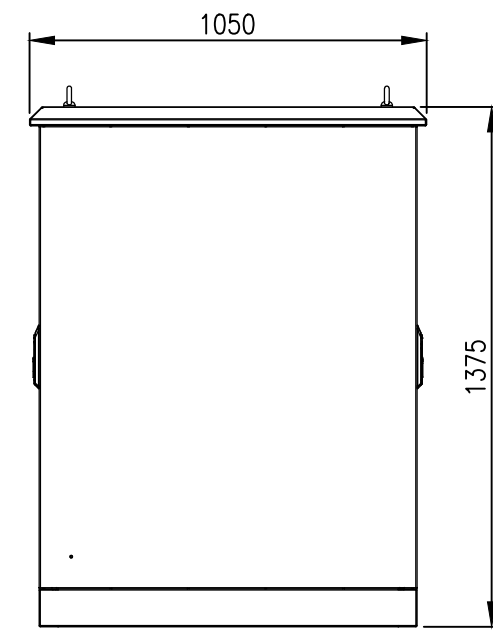
TOP VIEW



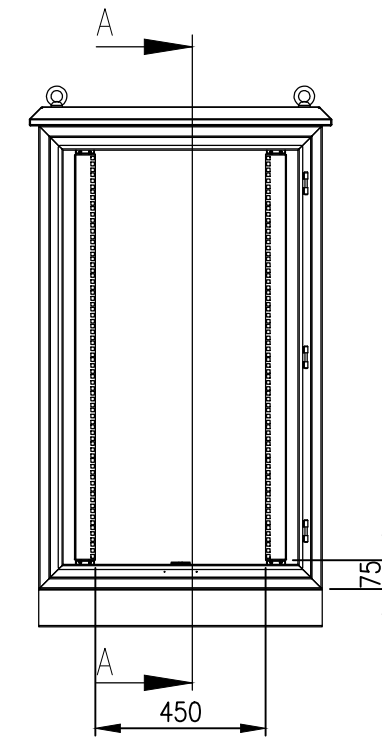
LEFT SIDE VIEW



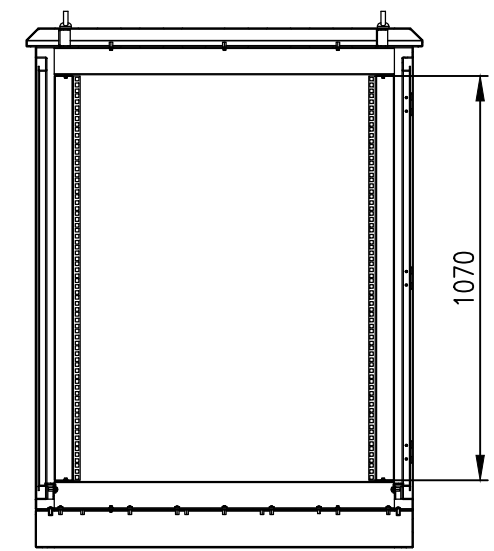
FRONT VIEW (ASSEMBLY)



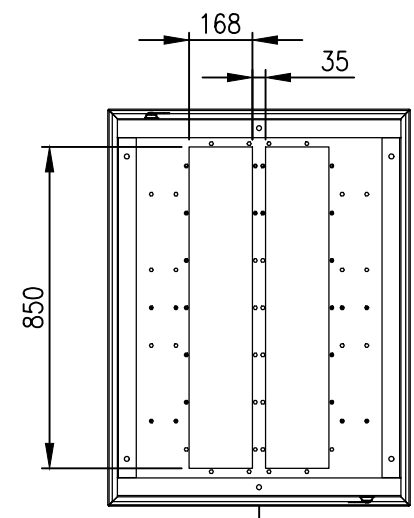
RIGHT SIDE VIEW



FRONT INTERIOR VIEW (DOOR REMOVED)



SECTION A-A



BOTTOM VIEW

MATERIAL
 BODY AND PLINTH: 2.5mm MARINE GRADE ALUMINIUM
 DOORS: 2.5mm MARINE GRADE ALUMINIUM
 19" DATA RAILS: 1.5mm GALVANISED STEEL SHEET
 GLAND PLATE: 3.0mm ALUMINIUM
 SEAL: POLYURETHANE
 SURFACE TREATMENT: POWDER-COAT 80-120micron
 COLOUR: T33 SMOKE BLUE, SMOOTH FINISH

PROTECTION: IP66
 STANDARD: IEC62208, IEC/EN/AS60529, EIA-310D

© IP ENCLOSURES 2023.
 THIS DRAWING SHALL NOT BE COPIED OR REPRODUCED
 WITHOUT AUTHORISATION FROM IP ENCLOSURES.
 www.ipenclosures.com.au

Itemref	Quantity	Title/Name, designation, material, dimension etc	Article No./Reference
IP	1	24RU ALUMINIUM 1375x750x1000 (NO VENTS)	IP-A13775100-0-T33
Designed by	Checked by	Approved by - date	Filename
IP	IP	16/02/23	IP-A13775100-0-T33
Date	Scale	Edition	
16/02/23	1:20	0	
Sheet			1/1