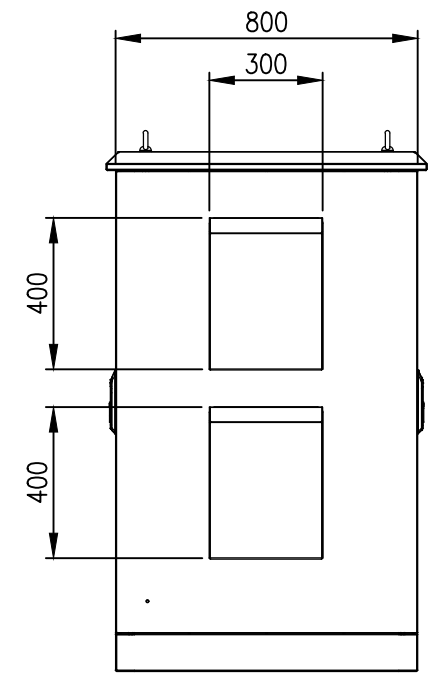
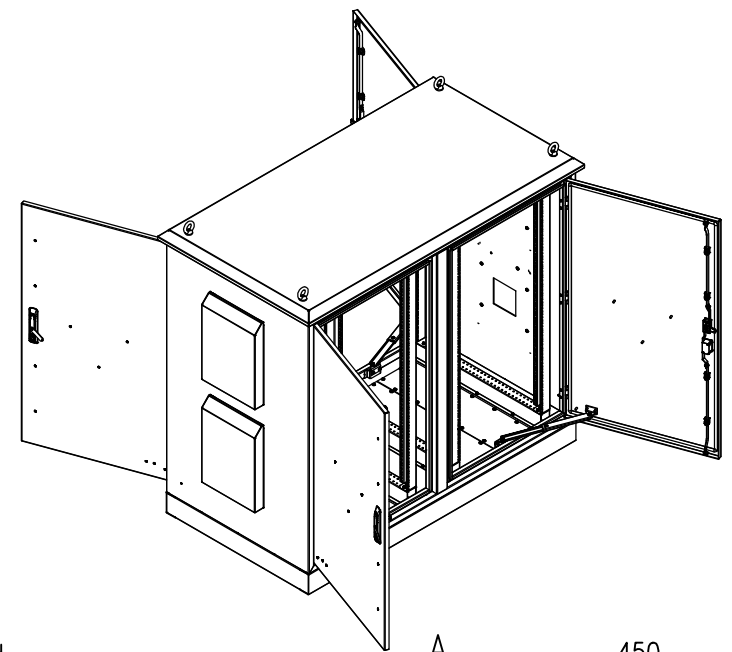
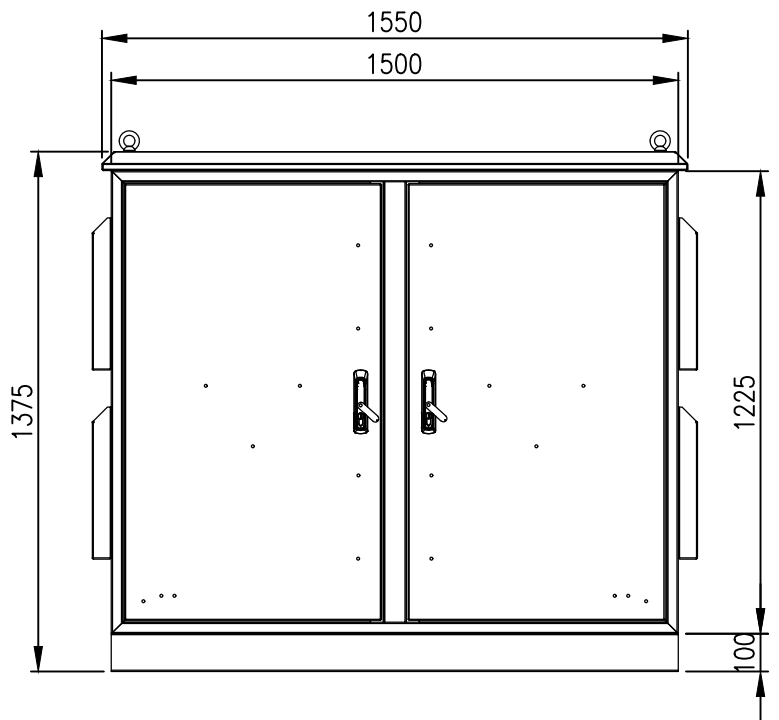


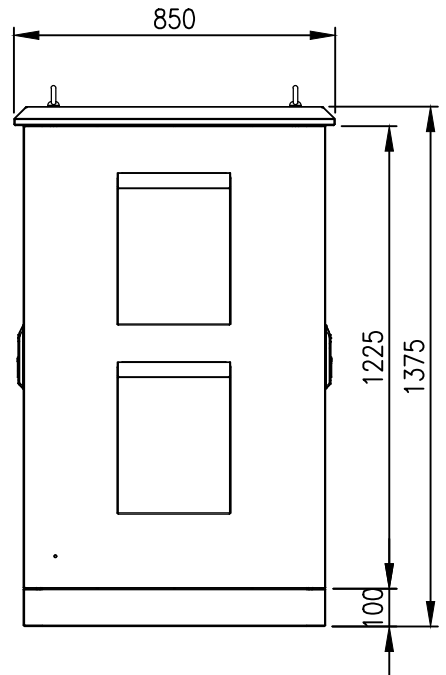
FRONT VIEW



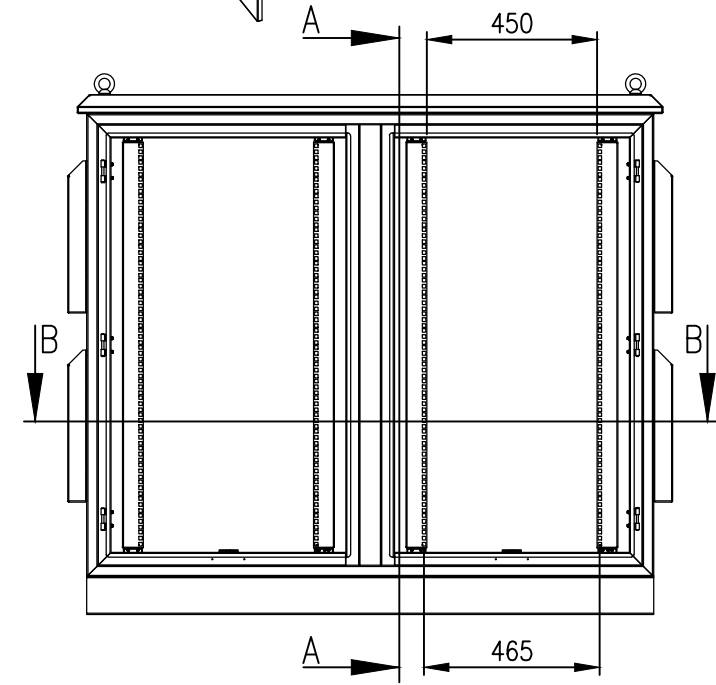
LEFT SIDE VIEW



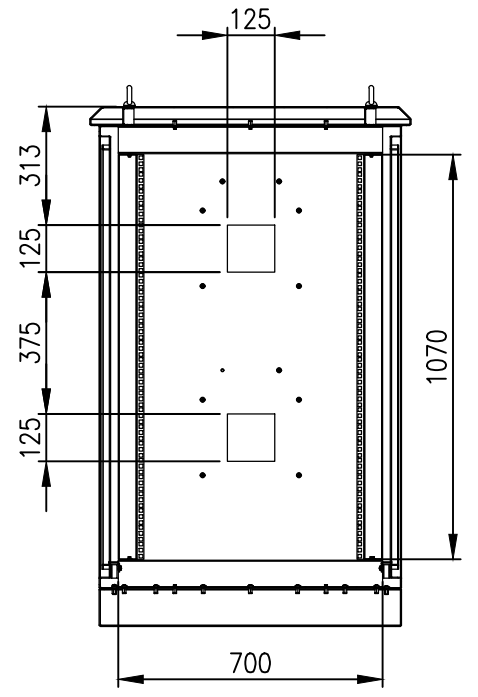
FRONT VIEW



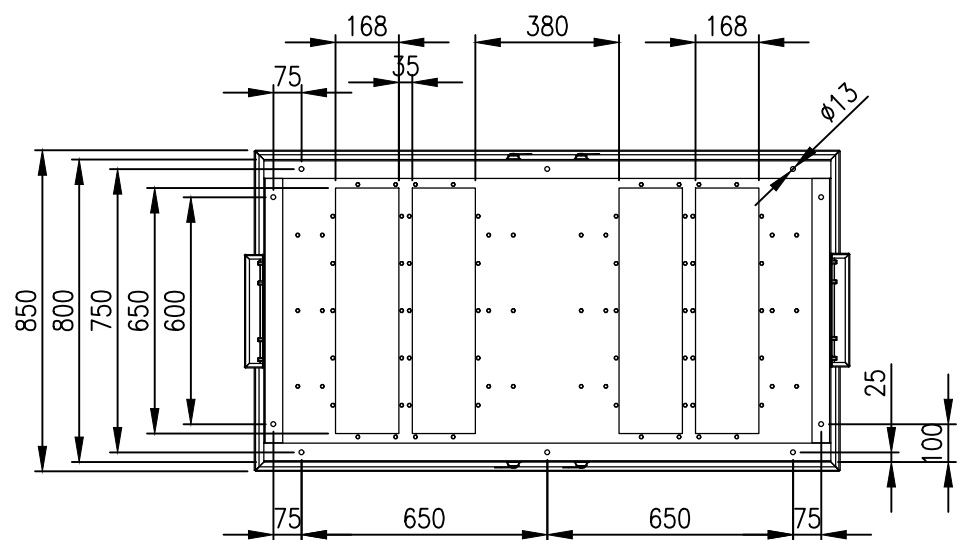
RIGHT SIDE VIEW



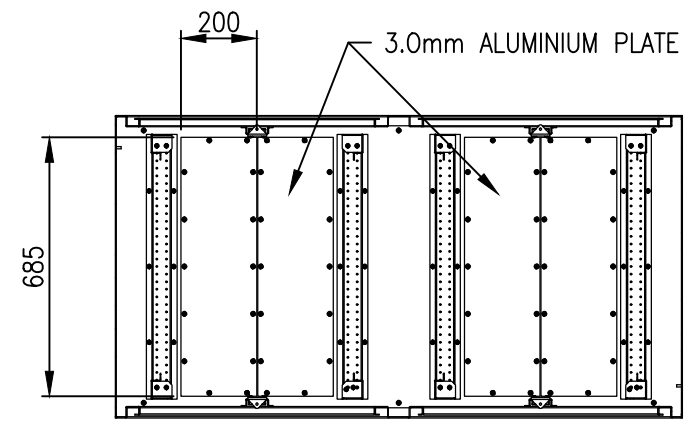
INTERIOR VIEW-DOOR REMOVED



SECTION A-A



BOTTOM VIEW



3.0mm ALUMINIUM PLATE

MATERIAL
 BODY AND PLINTH: 2.5mm MARINE GRADE ALUMINIUM 5754-H111
 DOORS: 2.5mm MARINE GRADE ALUMINIUM 5754-H111
 19" DATA RAILS: 1.5mm GALVANISED STEEL SHEET
 GLAND PLATE: 3.0mm ALUMINIUM
 SEAL: POLYURETHANE
 SURFACE TREATMENT: POWDER-COAT 80-120micron
 COLOUR: T33 SMOKE BLUE, SMOOTH FINISH

PROTECTION: IP55
 STANDARD: IEC62208, IEC/EN/AS60529, EIA-310D

© IP ENCLOSURES 2024.
 THIS DRAWING SHALL NOT BE COPIED OR REPRODUCED
 WITHOUT AUTHORISATION FROM IP ENCLOSURES.
 www.ipenclosures.com.au

Itemref	Quantity	Title/Name, designation, material, dimension etc	Article No./Reference
Designed by	Checked by	Approved by - date	Filename
IP	IP	12/01/24	IP-A13715080-T33
Date	Scale	Article No./Reference	
12/01/24	1:20	2 x 24RU (48RU) ALUMINIUM FIELD CABINET 1375x1500x600 DOUBLE BAY	
Edition		Sheet	
0		1/1	