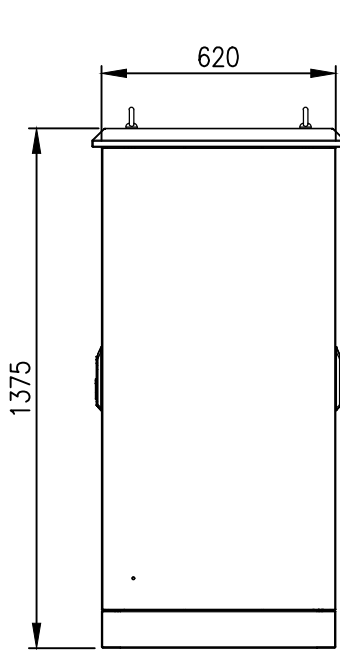
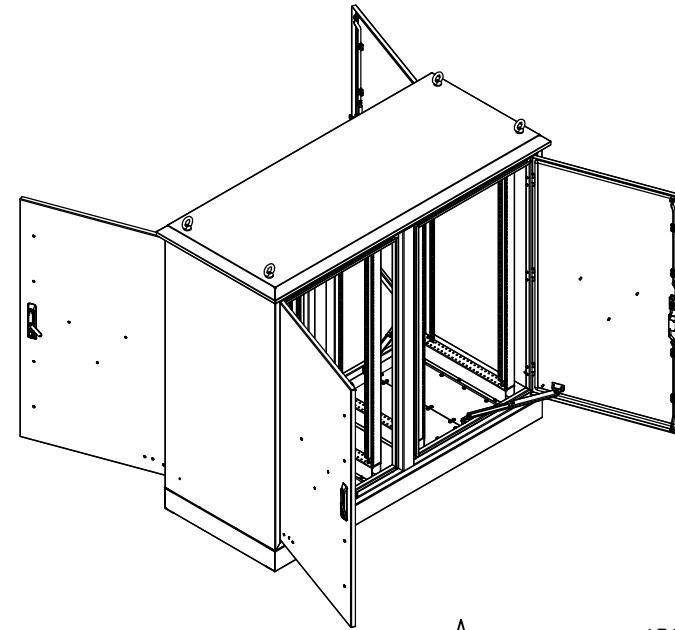
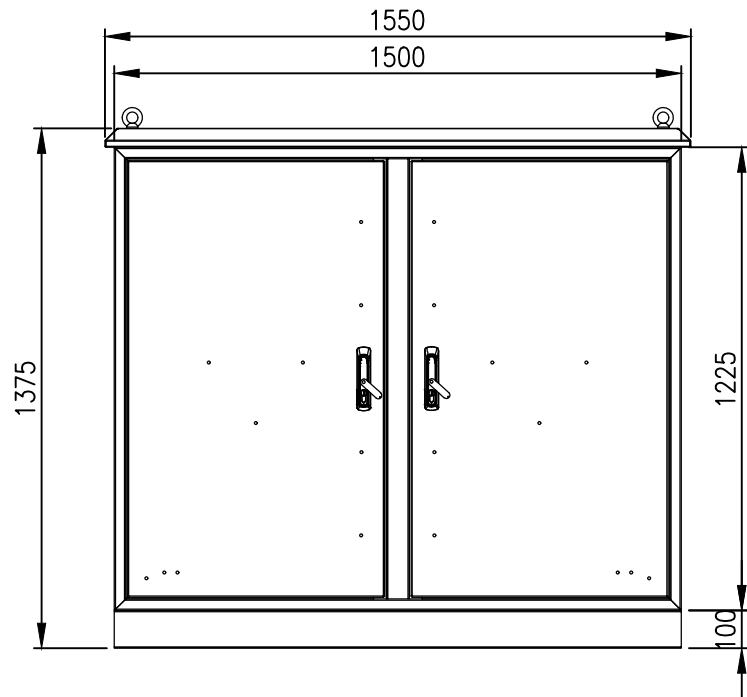


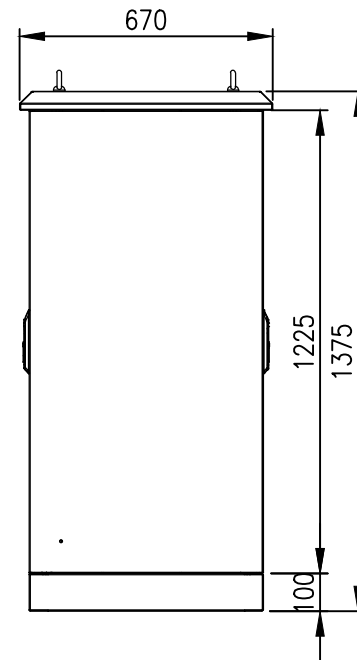
TOP VIEW



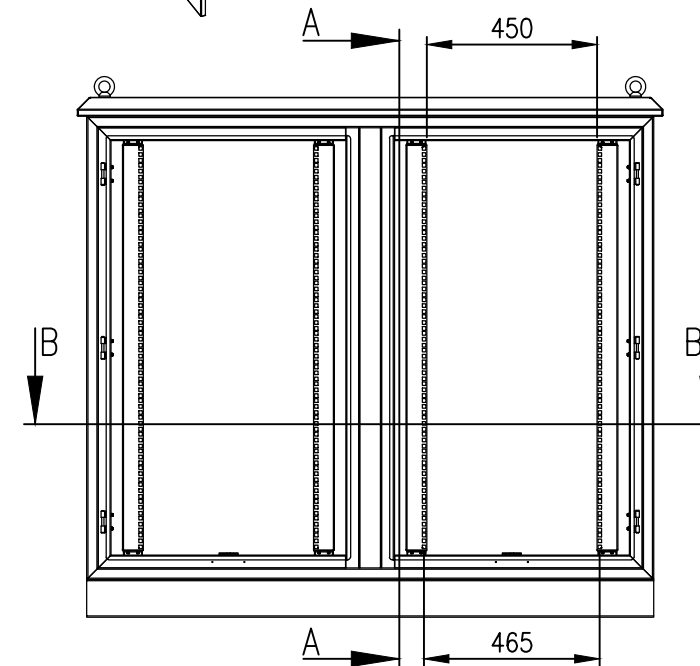
LEFT SIDE VIEW



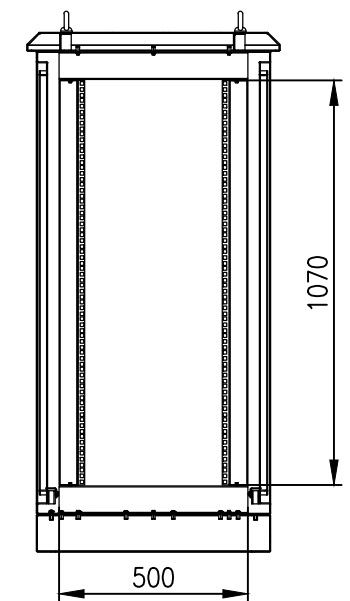
FRONT VIEW



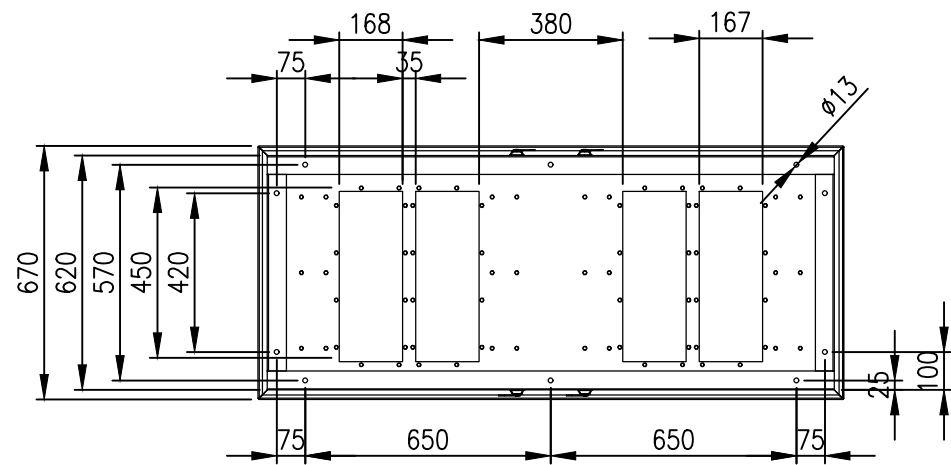
RIGHT SIDE VIEW



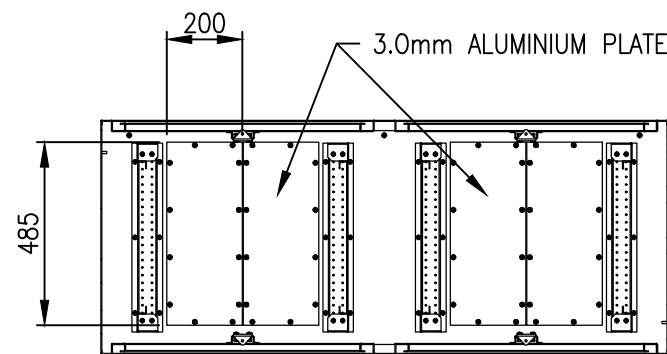
INTERIOR VIEW-DOOR REMOVED



SECTION A-A



BOTTOM VIEW



SECTION B-B

MATERIAL
 BODY AND PLINTH: 2.5mm MARINE GRADE ALUMINIUM 5754-H111
 DOORS: 2.5mm MARINE GRADE ALUMINIUM 5754-H111
 19" DATA RAILS: 1.5mm GALVANISED STEEL SHEET
 GLAND PLATE: 3.0mm ALUMINIUM
 SEAL: POLYURETHANE
 SURFACE TREATMENT: POWDER-COAT 80-120micron
 COLOUR: T33 SMOKE BLUE, SMOOTH FINISH

PROTECTION: IP66
 STANDARD: IEC62208, IEC/EN/AS60529, EIA-310D

© IP ENCLOSURES 2024.
 THIS DRAWING SHALL NOT BE COPIED OR REPRODUCED
 WITHOUT AUTHORISATION FROM IP ENCLOSURES.
 www.ipenclosures.com.au

Itemref	Quantity	Title/Name, designation, material, dimension etc	Article No./Reference
IP	1	2 x 24RU (48RU) ALUMINIUM FIELD CABINET 1375Hx1500Wx620D DOUBLE BAY	IP-A13715062-0-T33
IP	1	3.0mm ALUMINIUM PLATE	IP-A13715062-0-T33

Designed by	Checked by	Approved by - date	Filename	Date	Scale
IP	IP	09/01/24	IP-A13715062-0-T33	09/01/24	1:20
IP Enclosures				Edition	Sheet
IP-A13715062-0-T33				0	1/1