


IP66 19" Field Cabinet IP-A13715062-0-T33

ALUMINIUM | DOUBLE BAY 19" | IP66 19" 24RU - 1375H x 1500W x 620D Non-Ventilated

IP Enclosures marine grade aluminium Infrastructure Field Cabinets are available in ventilated and non-ventilated double bay configurations.

Protection: Complies with IP66

Standard: IEC62208, IEC/EN/AS60529, EIA-310-D, RoHS 

Rack Unit Size: 24RU

Material:

- Body and Plinth: 2.5mm Marine Grade Aluminium 5754-H111
- Doors: 2.5mm Marine Grade Aluminium 5754-H111
- 19" Data Rack Rails: 1.5mm galvanised steel sheet
- Gland Plate: 3.0mm Aluminium
- Enclosure Seal: Polyurethane

Body: The robust monoblock body is fabricated using 2.5mm marine grade aluminium. The body is fitted with rain hood/sunshield, plinth and 4 x lifting eye bolts. Flat face sealing surfaces are provided to increase seal life. A split gland plate is incorporated into the base.

Doors: Front and rear doors are fabricated using 2.5mm marine grade aluminium and are designed to provide flush recessed mounting to prevent vandalism and unauthorised access. The doors incorporate concealed removable hinges with captive pins. They are provided with heavy duty door stays.

19" Data Rack Rails: Front and rear 19" data rack rails are fabricated from 1.5mm galvanised steel sheet.

Door Seals: Polyurethane foamed in place (FIP) full perimeter door seals provide excellent sealing over a long life. Temperature resistance: -40°C to 80°C.

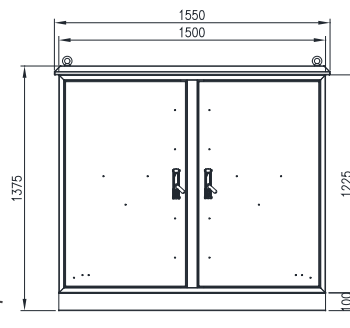
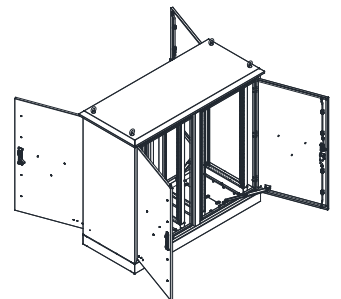
Locks: Each door includes 3 point locking system with key-lock swing handle.

Gland Plate: 3.0mm aluminium split gland plates are incorporated into the base.

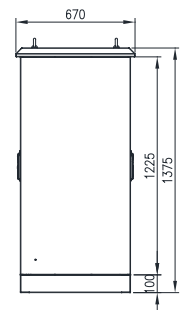
Surface Treatment: UL approved polyester powder-coated with a smooth gloss finish, 80-120 micron average thickness, providing excellent exterior durability and colour retention. Colour: T33 Smoke Blue.



TOP VIEW



FRONT VIEW



RIGHT SIDE VIEW