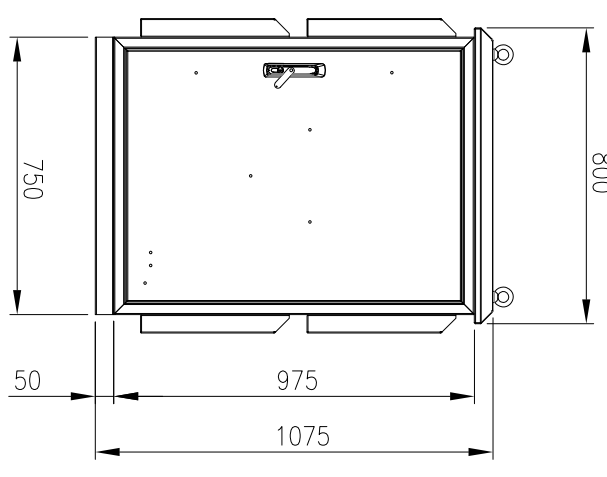
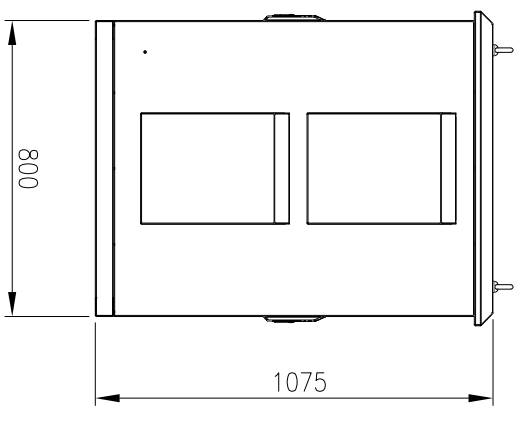


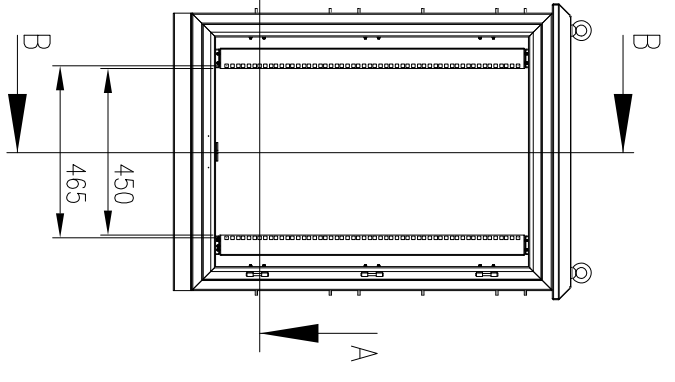
TOP VIEW



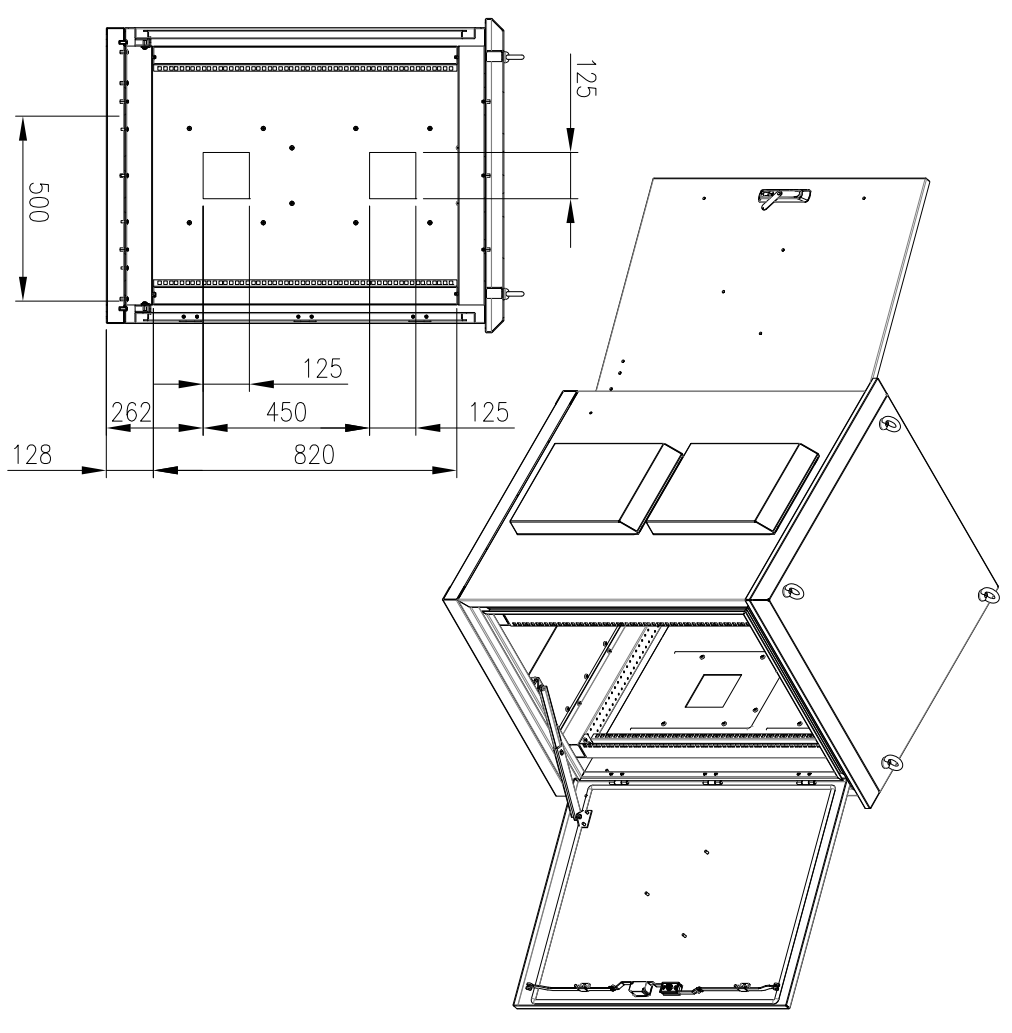
FRONT VIEW (ASSEMBLY)



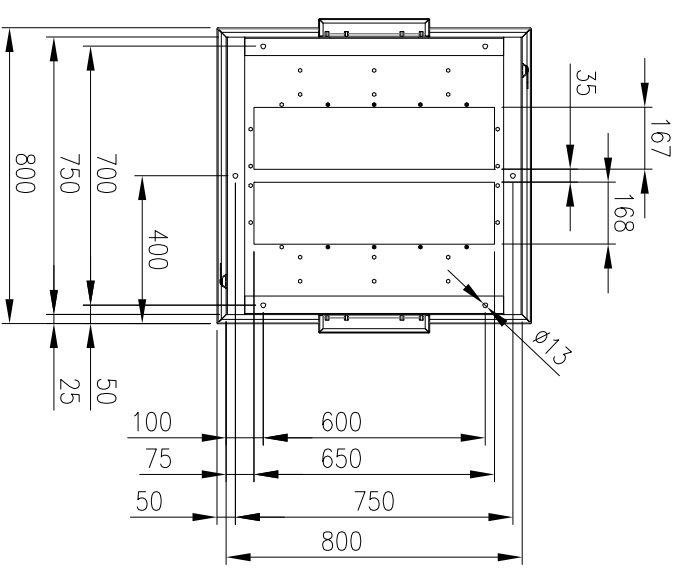
SIDE VIEW



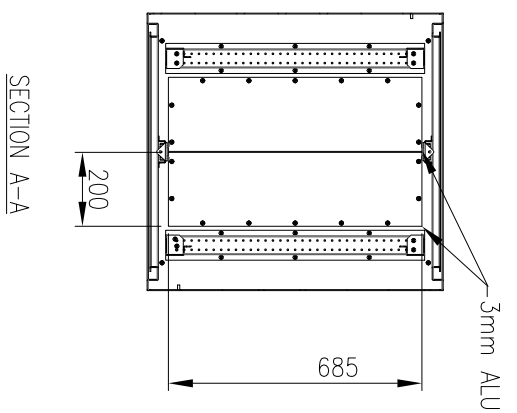
FRONT VIEW (FRONT DOOR REMOVED)



SECTION B-B



BOTTOM VIEW



SECTION A-A

**MATERIAL**  
 BODY AND PLINTH: 2.5mm MARINE GRADE ALUMINIUM  
 DOORS: 2.5mm MARINE GRADE ALUMINIUM  
 19" DATA RAILS: 1.5mm 316 STAINLESS STEEL  
 GLAND PLATE: 3mm ALUMINIUM  
 SEAL: POLYURETHANE  
 SURFACE TREATMENT: POWDER-COAT 80-120micron  
 COLOUR: T33 SMOKE BLUE, SMOOTH FINISH

PROTECTION: IP66 (EXCLUDING FANS/FILTER CUTOUTS)  
 STANDARD: IEC62208, IEC/EN/AS60529, EIA-310D

© IP ENCLOSURES 2017.  
 THIS DRAWING SHALL NOT BE COPIED OR REPRODUCED  
 WITHOUT AUTHORISATION FROM IP ENCLOSURES.  
 www.ipenclosures.com.au

Item#	Quantity	TradeName, designation, material, dimension etc.	Article No./Reference	Scale
IP	1	18RU CABINET ALUMINIUM 1075x750x800	1075x750x800	1:20
IP	1	IP-A1077580-T33	IP-A1077580-T33	1/1"

