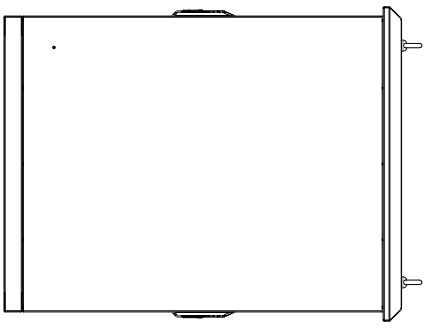
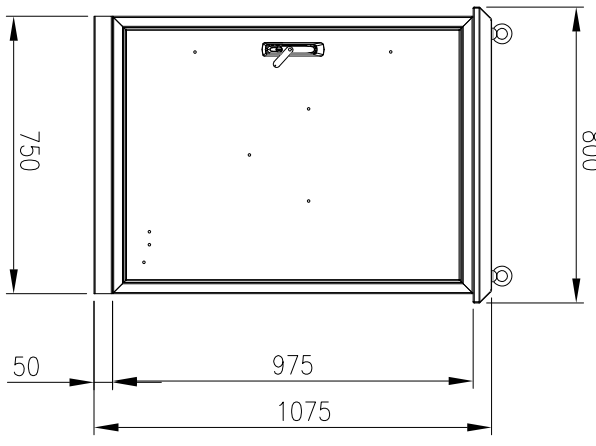


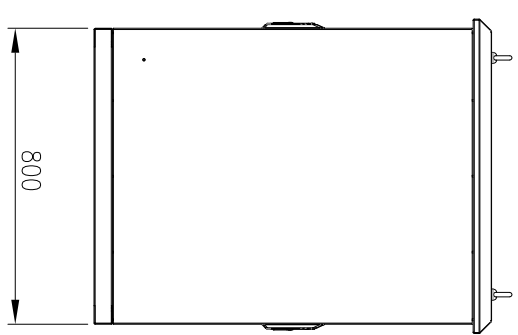
TOP VIEW



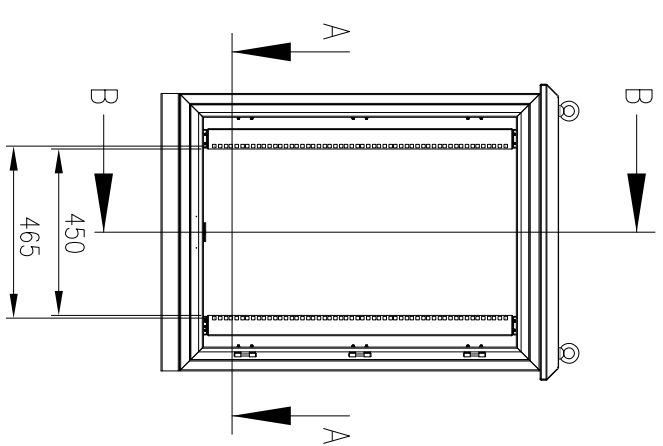
SIDE VIEW



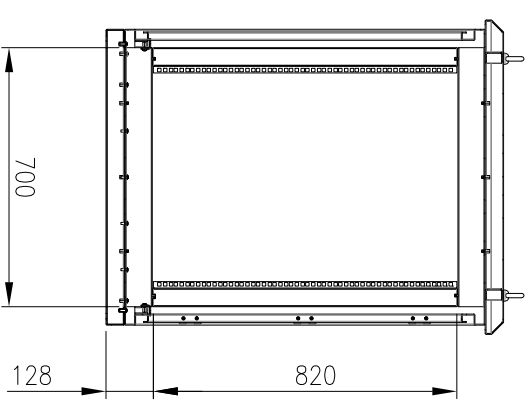
FRONT VIEW (ASSEMBLY)



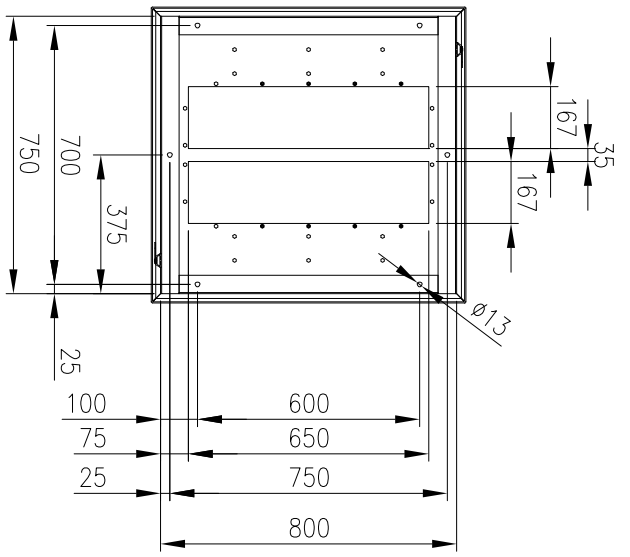
SIDE VIEW



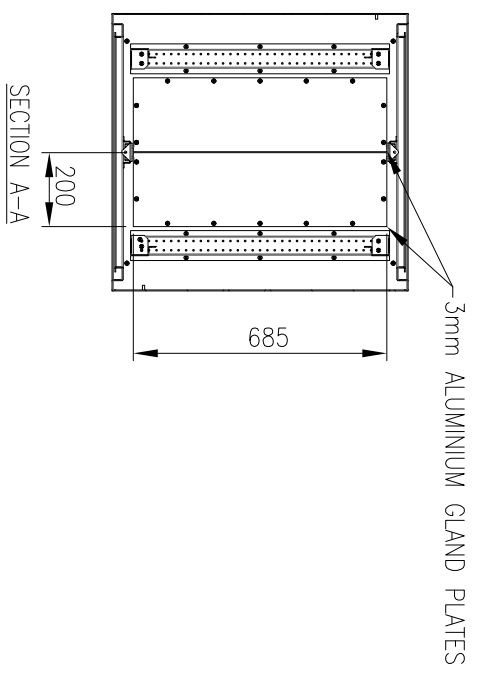
FRONT VIEW (FRONT DOOR REMOVED)



SECTION B-B



BOTTOM VIEW



SECTION A-A

MATERIAL
 BODY AND PLINTH: 2.5mm MARINE GRADE ALUMINIUM
 DOORS: 2.5mm MARINE GRADE ALUMINIUM
 19" DATA RAILS: 1.5mm 316 STAINLESS STEEL
 GLAND PLATE: 3mm ALUMINIUM
 SEAL: POLYURETHANE
 SURFACE TREATMENT: POWDER-COAT 80-120micron
 COLOUR: T33 SMOKE BLUE, SMOOTH FINISH

PROTECTION: IP66
 STANDARD: IEC62208, IEC/EN/AS60529, EIA-310D

© IP ENCLOSURES 2017.
 THIS DRAWING SHALL NOT BE COPIED OR REPRODUCED
 WITHOUT AUTHORISATION FROM IP ENCLOSURES.
 www.ipenclosures.com.au

Item#	Quantity	TradeName, designation, material, dimension etc.	Article No./Reference
IP	1	18RU ALUMINIUM 1075x750x800 NO VENTS	IP-A107580-0-133



Designed by	Checked by	Approved by - date	Filename	Date	Scale
IP	IP	05/08/19	18RU ALUMINIUM 1075x750x800 NO VENTS	05/08/19	1:20
Edition				Sheet	
0				1/1	