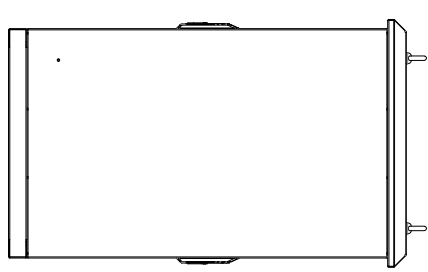
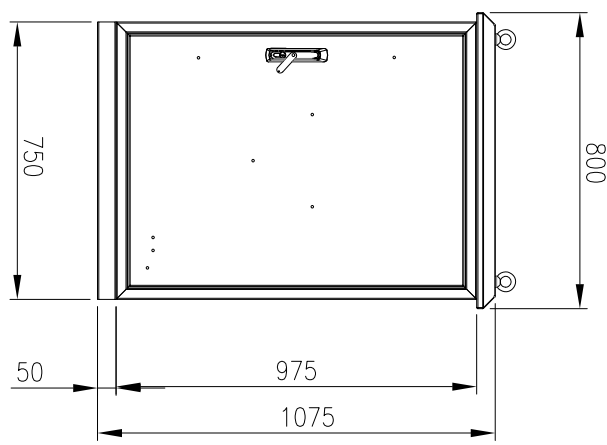


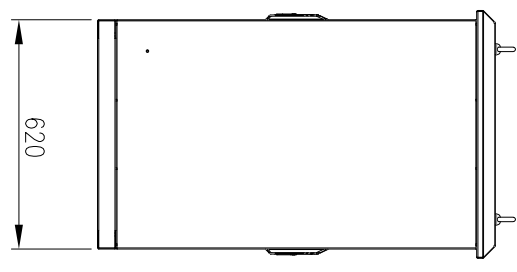
TOP VIEW



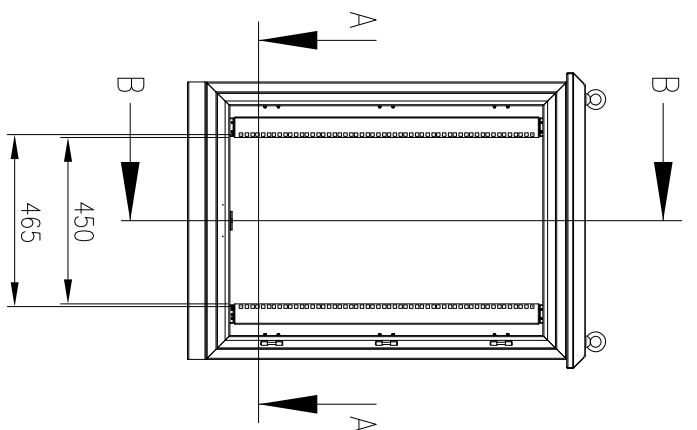
SIDE VIEW



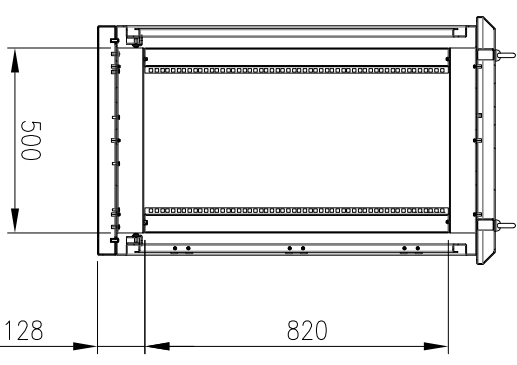
FRONT VIEW
(ASSEMBLY)



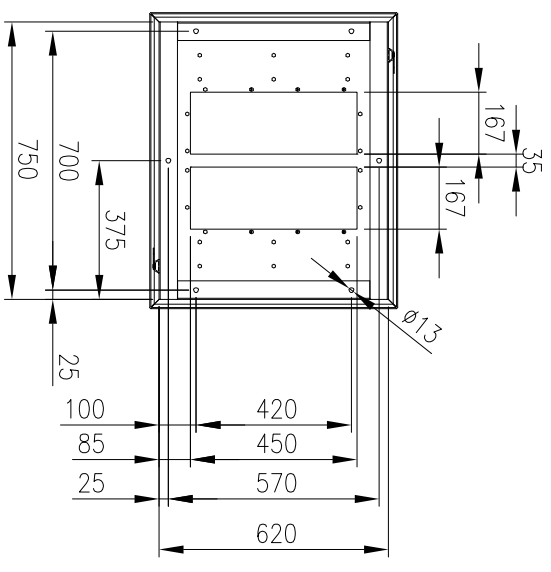
SIDE VIEW



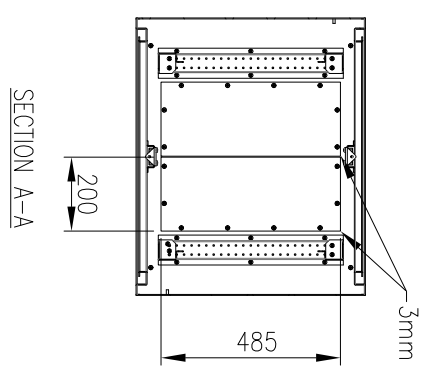
FRONT VIEW
(FRONT DOOR REMOVED)



SECTION B-B



BOTTOM VIEW



SECTION A-A

MATERIAL
 BODY AND PLINTH: 2.5mm MARINE GRADE ALUMINIUM
 DOORS: 2.5mm MARINE GRADE ALUMINIUM
 19" DATA RAILS: 1.5mm 316 STAINLESS STEEL
 GLAND PLATE: 3mm ALUMINIUM
 SEAL: POLYURETHANE
 SURFACE TREATMENT: POWDER-COAT 80-120micron
 COLOUR: T33 SMOKE BLUE, SMOOTH FINISH

PROTECTION: IP66
 STANDARD: IEC62208, IEC/EN/AS60529, EIA-310D

© IP ENCLOSURES 2017.
 THIS DRAWING SHALL NOT BE COPIED OR REPRODUCED
 WITHOUT AUTHORISATION FROM IP ENCLOSURES.
 www.ipenclosures.com.au

Item#	Quantity	TradeName, designation, material, dimension etc.	Article No./Reference	Scale
IP	1	18RU ALUMINIUM 1075x750x620 NO VENTS	IP-A107562-0-133	1:20
Designed by	Checked by	Approved by - date	Filename	Date
IP	IP	05/08/19	1075x750x620	05/08/19
Edition			Sheet	
1			1	1/1