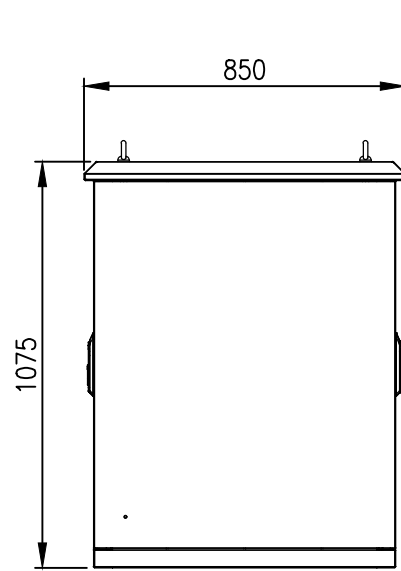
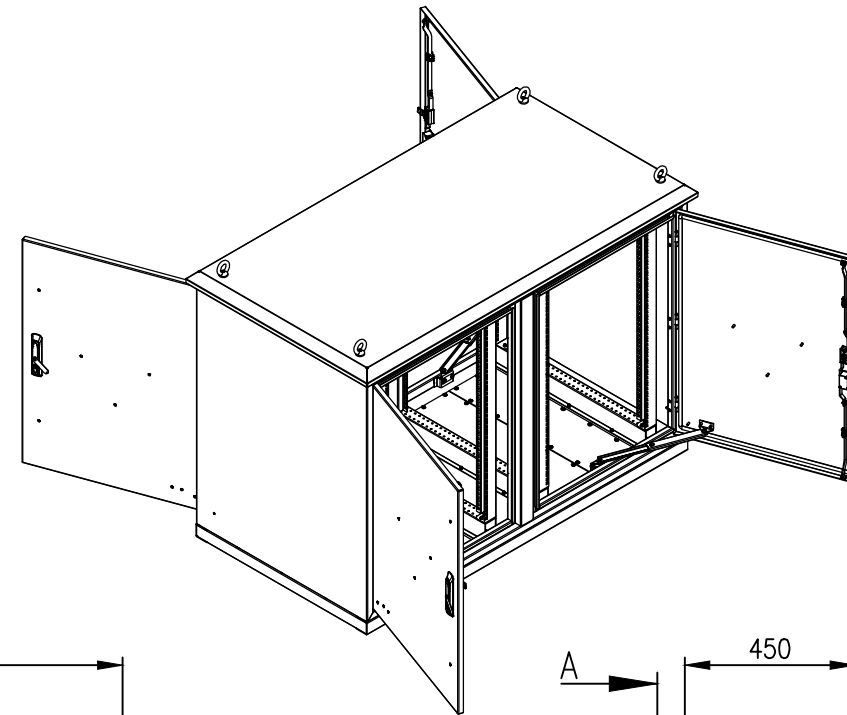
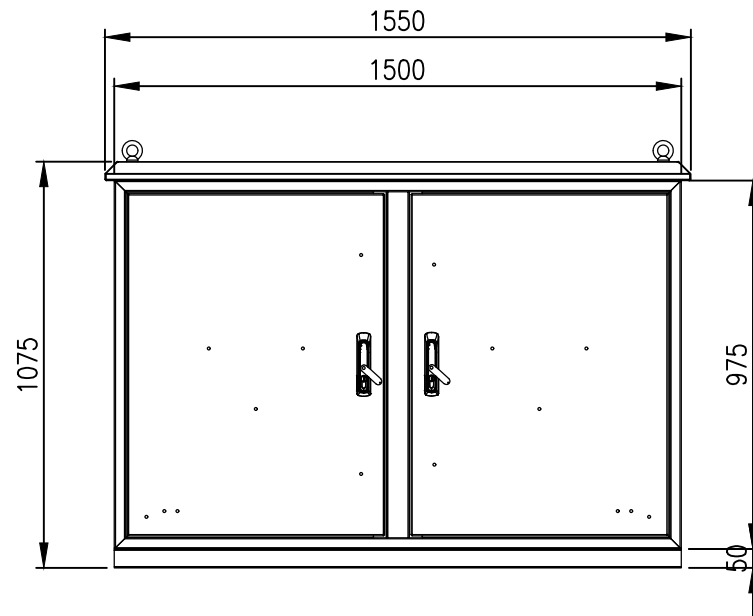


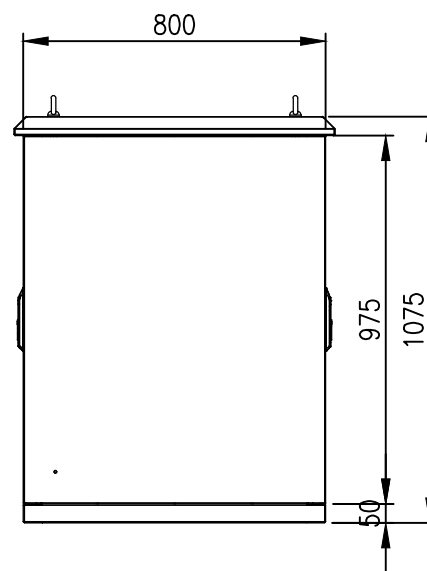
TOP VIEW



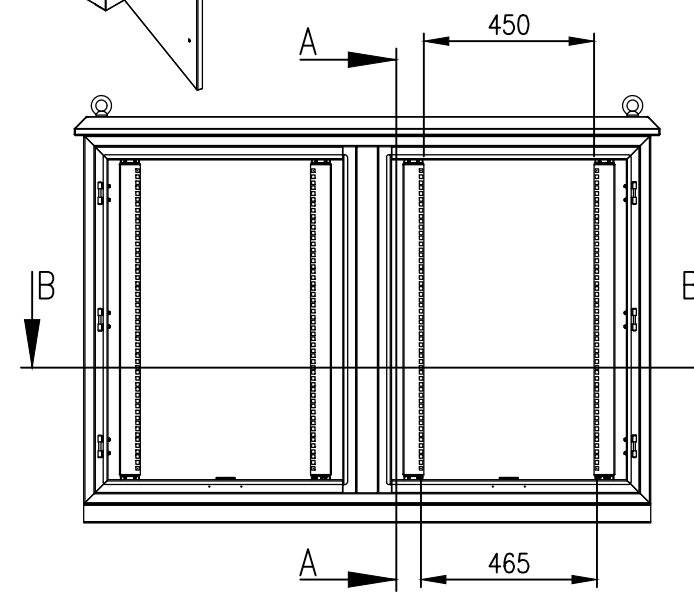
LEFT SIDE VIEW



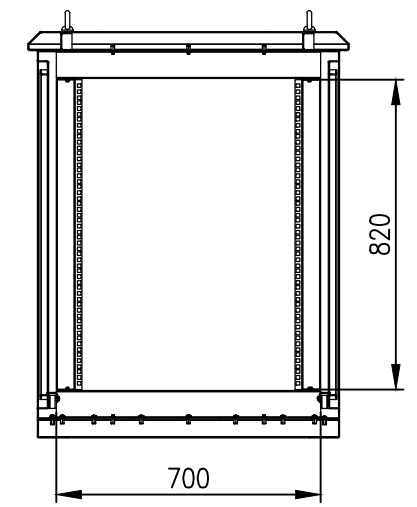
FRONT VIEW



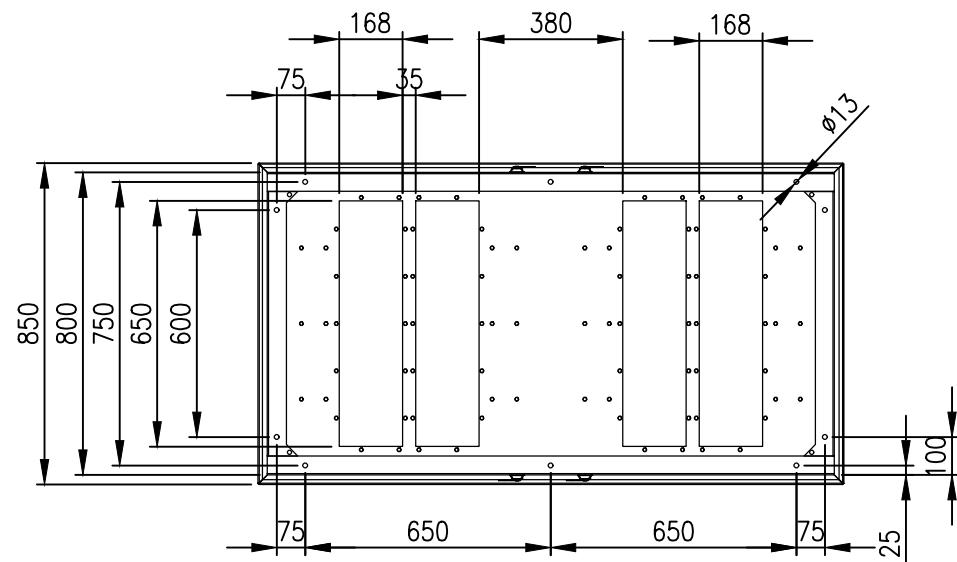
RIGHT SIDE VIEW



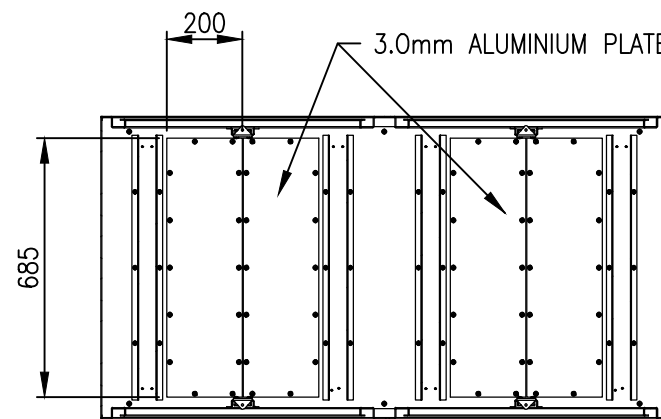
INTERIOR VIEW-DOOR REMOVED



SECTION A-A



BOTTOM VIEW



SECTION B-B

MATERIAL

BODY AND PLINTH: 2.5mm MARINE GRADE ALUMINIUM 5754-H111
 DOORS: 2.5mm MARINE GRADE ALUMINIUM 5754-H111
 19" DATA RAILS: 1.5mm GALVANISED STEEL SHEET
 GLAND PLATE: 3.0mm ALUMINIUM
 SEAL: POLYURETHANE
 SURFACE TREATMENT: POWDER-COAT 80-120micron
 COLOUR: T33 SMOKE BLUE, SMOOTH FINISH

PROTECTION: IP66

STANDARD: IEC62208, IEC/EN/AS60529, EIA-310D

Itemref	Quantity	Title/Name, designation, material, dimension etc	Article No./Reference
Designed by IP	Checked by IP	Approved by - date 08/01/24	Filename IP-A10715080-0-T33
		Date 08/01/24	Scale 1:20
			2 x 18RU (36RU) ALUMINIUM FIELD CABINET 1075Hx1500Wx600D DOUBLE BAY IP-A10715080-0-T33
			Edition 0
			Sheet 1/1