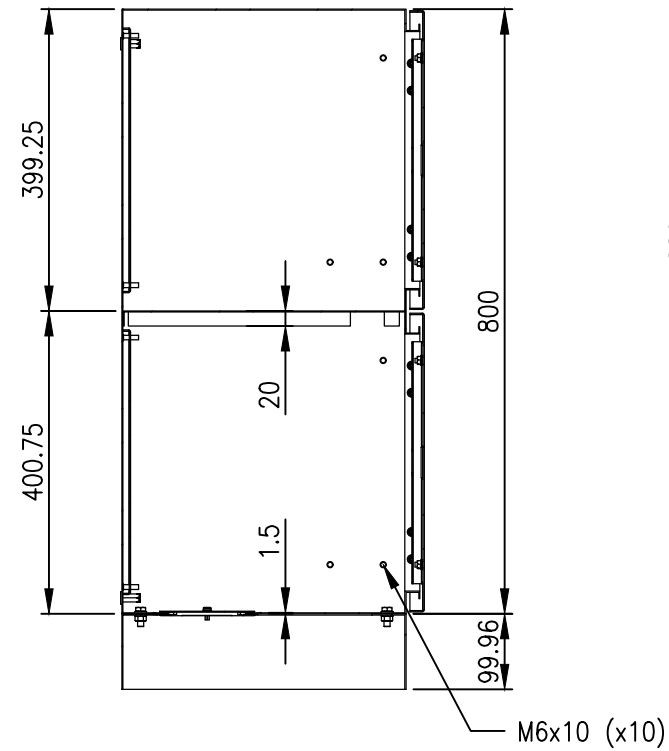
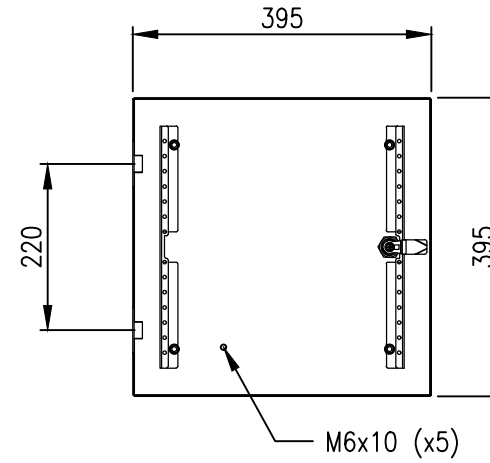


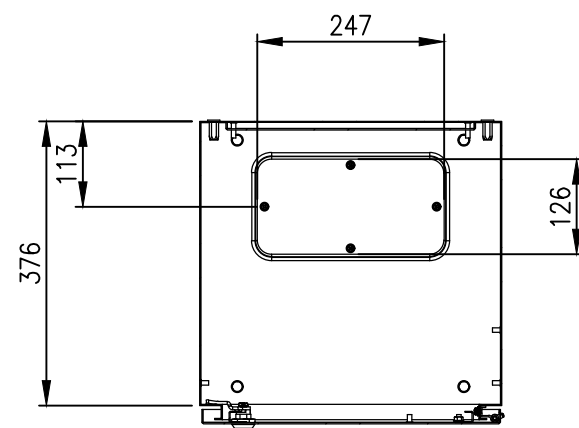
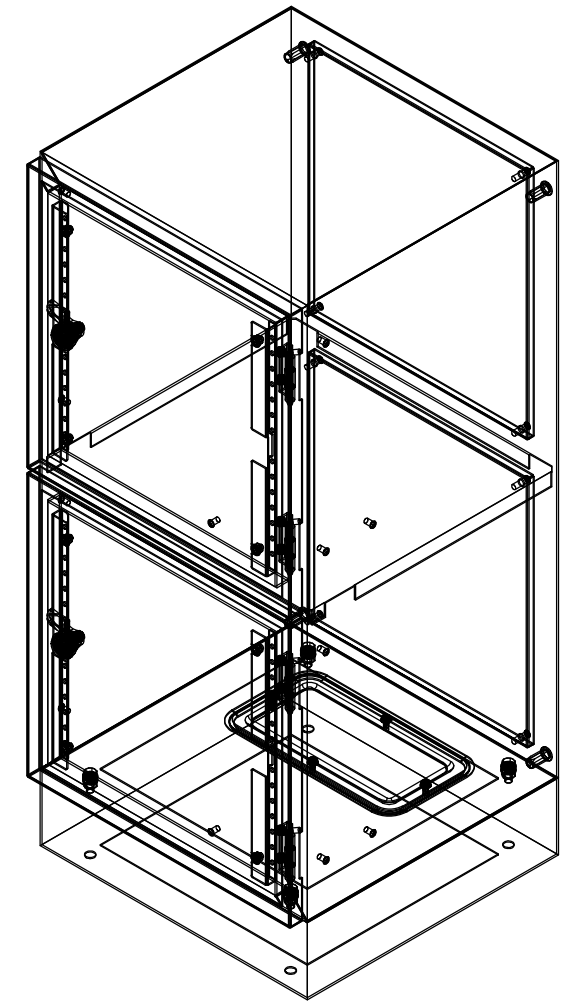
FRONT VIEW



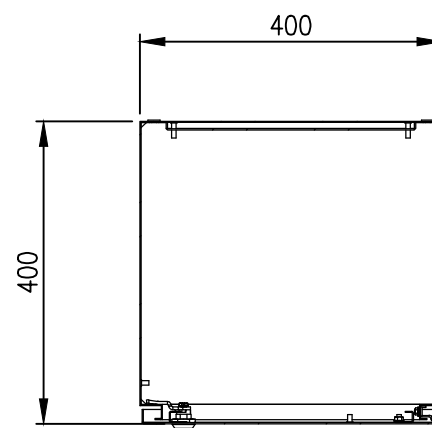
SECTION AV-AV



INSIDE DOOR VIEW
(TWO-DOORS)



SECTION AX-AX



SECTION AW-AW

MATERIAL
 BODY: 1.5mm GALVANISED STEEL SHEET
 GLAND PLATE: 1.5mm GALVANISED STEEL SHEET
 DOORS: 1.5mm GALVANISED STEEL SHEET
 DEVICE PLATE: 1.5mm GALVANISED STEEL SHEET
 SEAL: POLYURETHANE
 SURFACE TREATMENT: POWDER-COAT 80-120micron

PROTECTION: IP66 IK10, NEMA 4
STANDARD: IEC62208, IEC/EN/AS60529

Itemref	Quantity	Title/Name, designation, material, dimension etc	Article No./Reference
Designed by IP	Checked by IP	Approved by - date 16/10/23	Filename IP-80P4040
		Date 16/10/23	Scale 1:10
			800x400x400 PARTITIONED STEEL ENCLOSURE
IP-80P4040			Edition 0
			Sheet 1/1