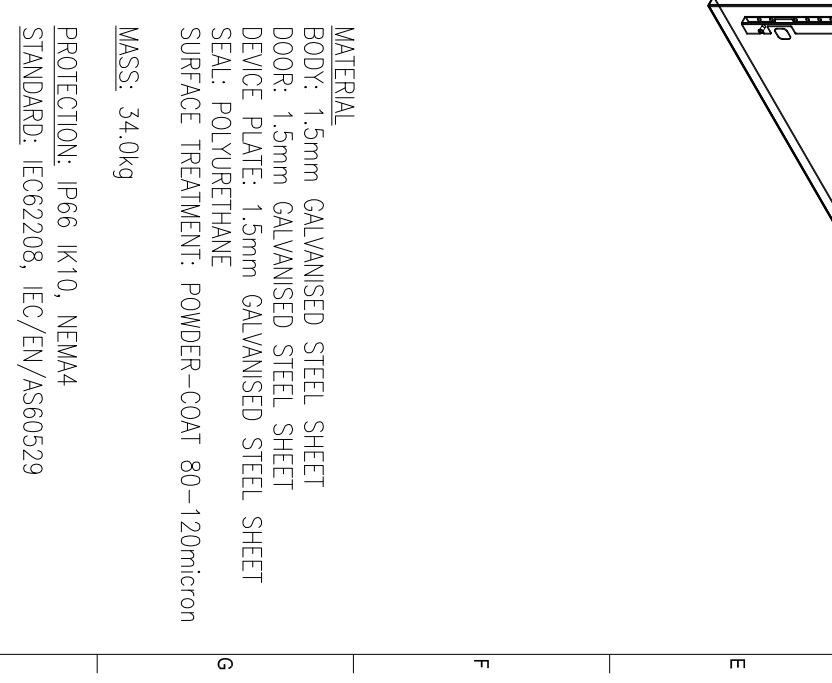
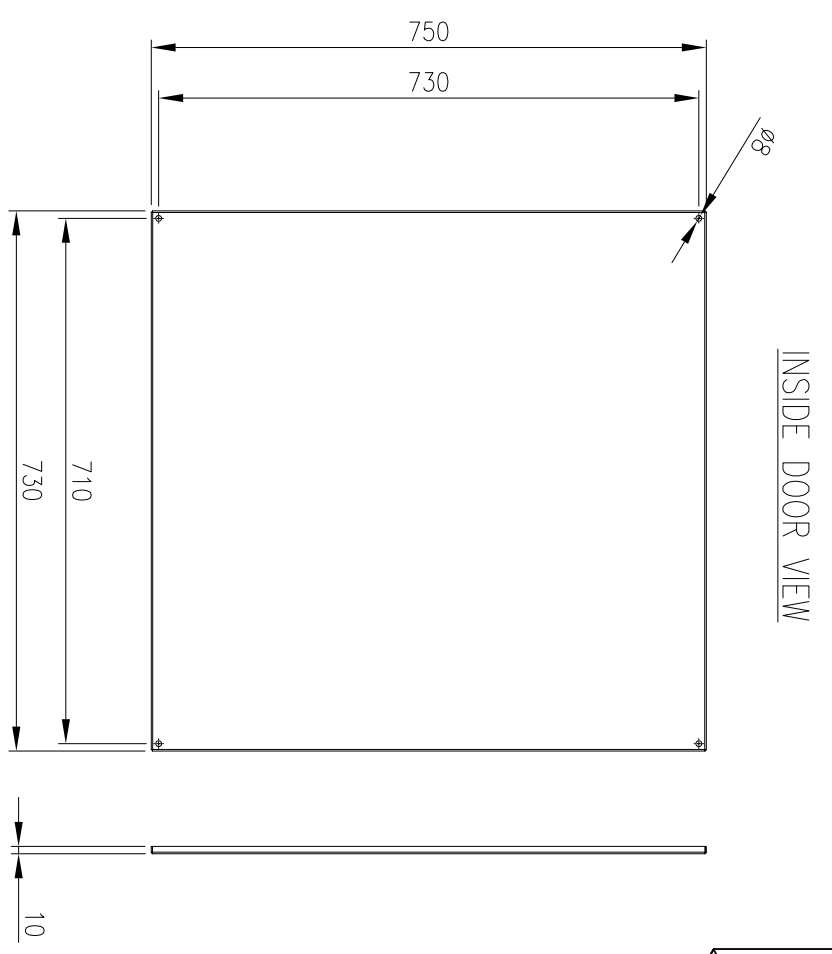
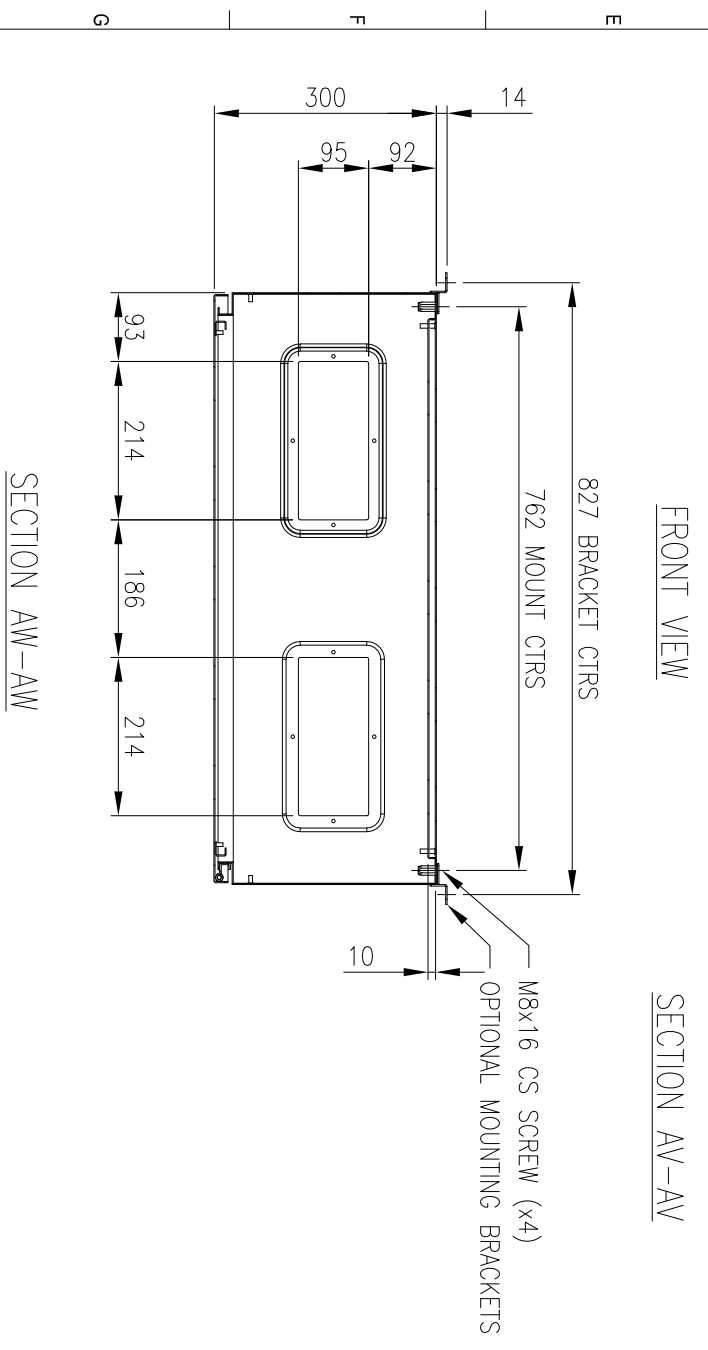
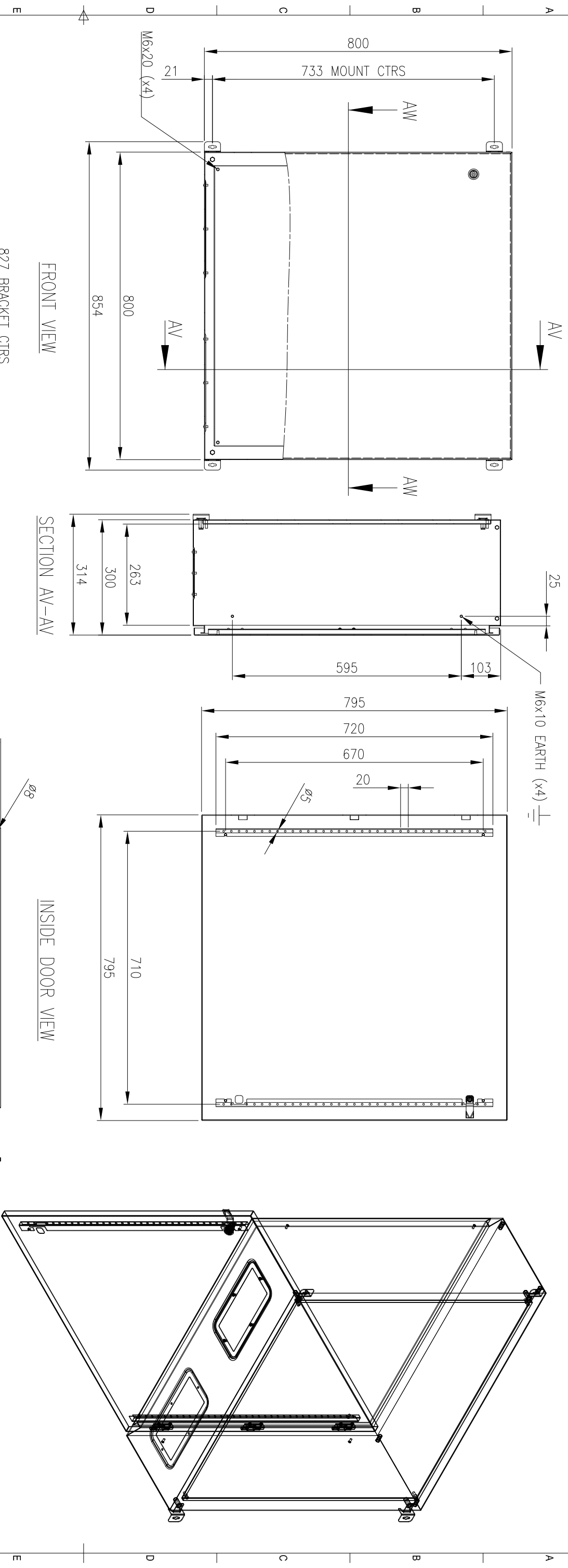


RevNo	Revision note	Date	Signature	Checked
2	GENERAL REVISION	9/7/19	IP	IP



© IP ENCLOSURES 2016.  
THIS DRAWING SHALL NOT BE COPIED OR REPRODUCED  
WITHOUT AUTHORISATION FROM IP ENCLOSURES.  
www.ipenclosures.com.au

Item#	Quantity	TradeName, designation, material, dimension etc.	PartName	Date	Article No/Reference	Scale
IP			IP-80800-01	17/10/16		1:10
IP			IP-80800-01	17/10/16		1:10
800x800x300 STEEL ENCLOSURE			800x800x300 STEEL ENCLOSURE			
IP-808030-01			IP-808030-01			
			2			1/1