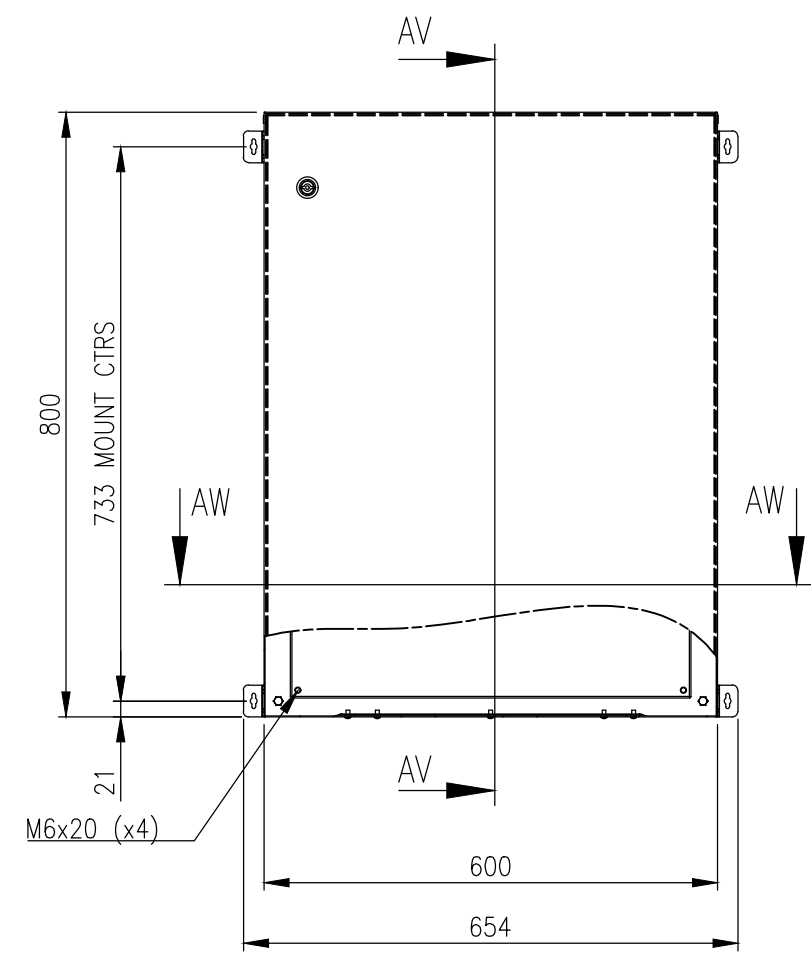
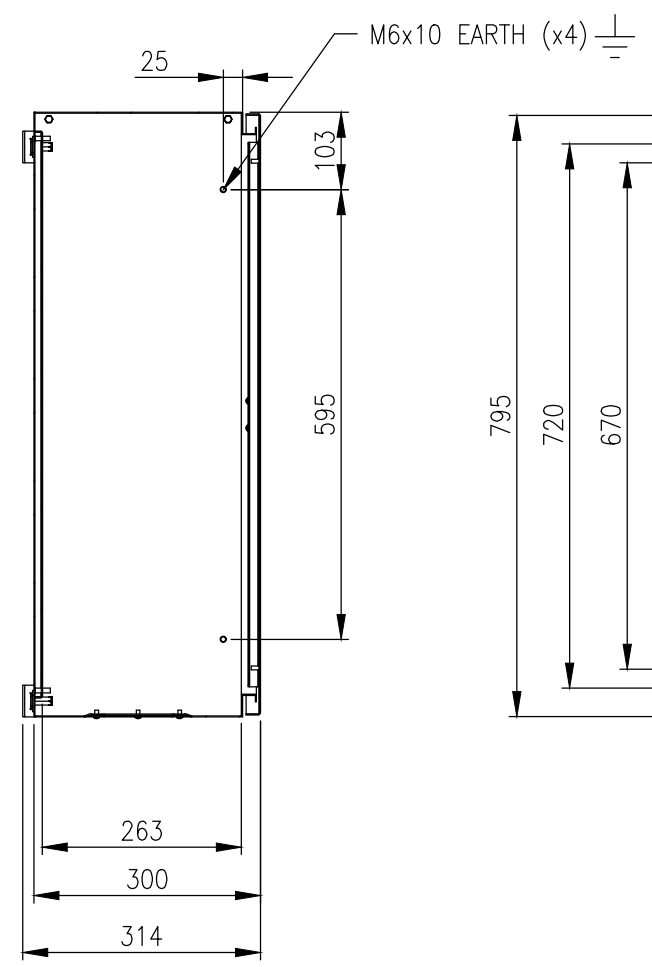


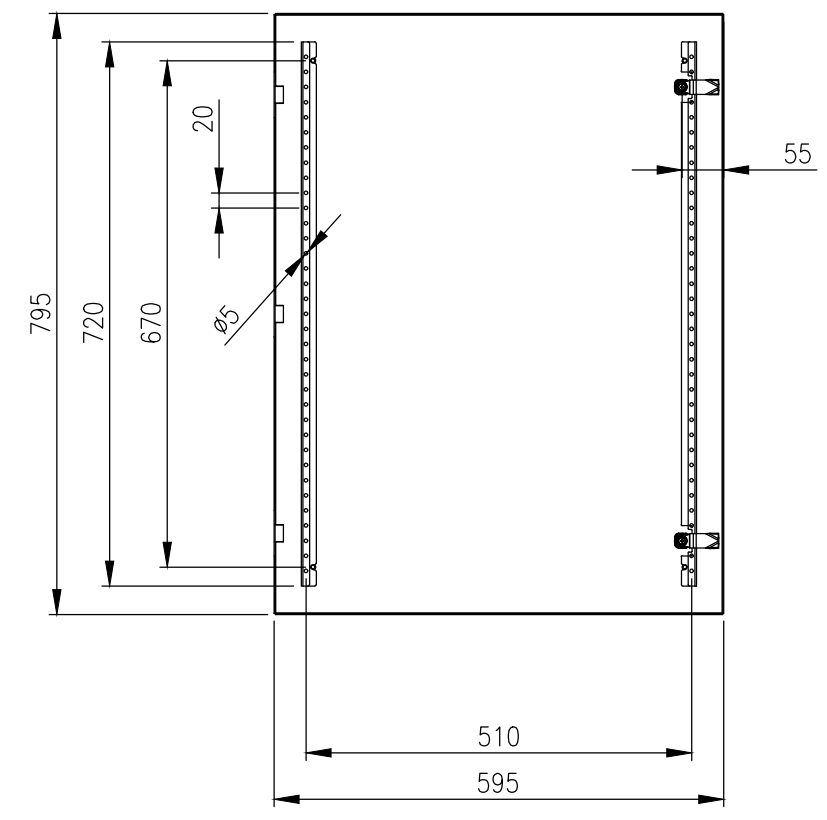
| RevNo | Revision note    | Date     | Signature | Checked |
|-------|------------------|----------|-----------|---------|
| 3     | GENERAL REVISION | 25/02/25 | IP        | IP      |



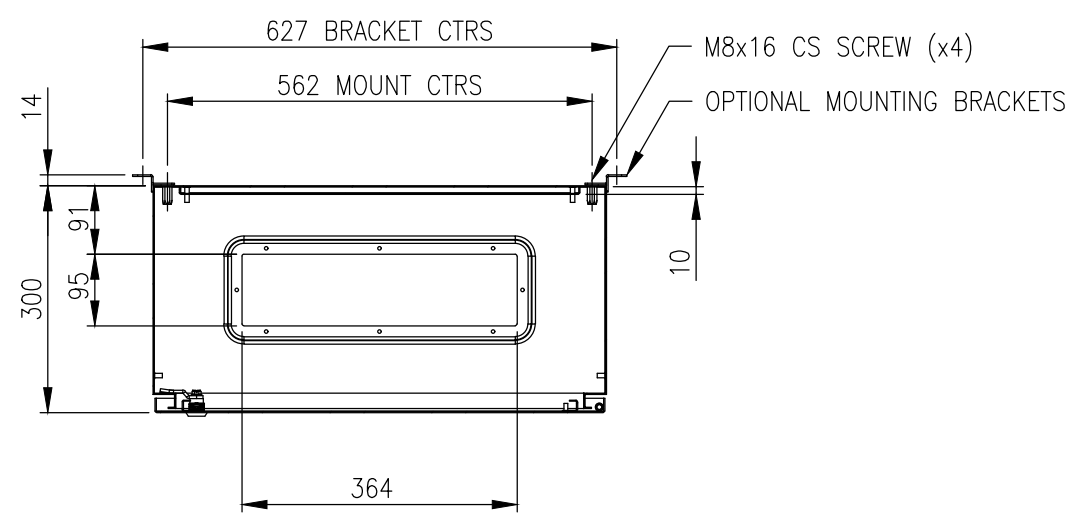
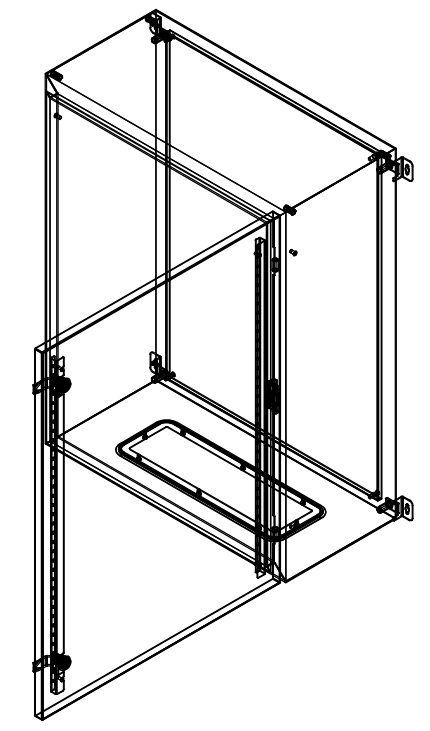
FRONT VIEW



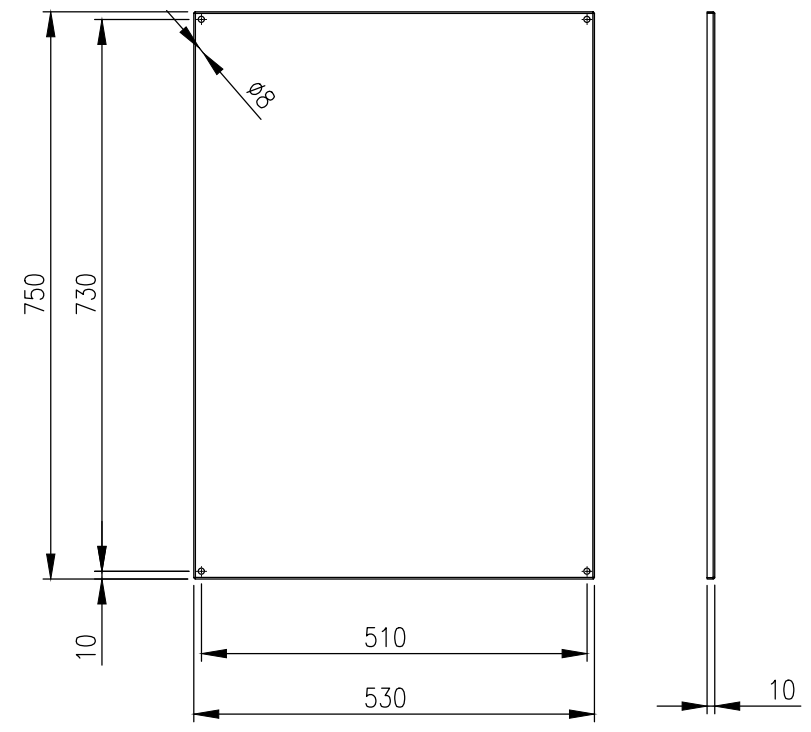
SECTION AV-AV



INSIDE DOOR VIEW



SECTION AW-AW



DEVICE MOUNTING PLATE

**MATERIAL**  
 BODY: 1.5mm GALVANISED STEEL SHEET  
 DOOR: 1.5mm GALVANISED STEEL SHEET  
 DEVICE PLATE: 1.5mm GALVANISED STEEL SHEET  
 GLAND PLATE: 1.5mm GALVANISED STEEL SHEET  
 SEAL: POLYURETHANE  
 SURFACE TREATMENT: POWDER-COAT 80-120micron  
 COLOUR: RAL7035 LIGHT GREY

**MASS:** 29.0Kg.

**PROTECTION:** IP66 IK10 (NEMA 4)  
**STANDARD:** IEC/EN62208, IEC/EN/AS60529

© IP ENCLOSURES 2016.  
 THIS DRAWING SHALL NOT BE COPIED OR REPRODUCED  
 WITHOUT AUTHORISATION FROM IP ENCLOSURES.  
 www.ipenclosures.com.au

**IMPORTANT NOTE:**  
 WALL MOUNTING BRACKETS ARE NOT INCLUDED  
 AND MUST BE ORDERED SEPARATELY.

| Itemref     | Quantity | Title/Name, designation, material, dimension etc | Article No./Reference |
|-------------|----------|--|-----------------------|
| IP          | 1        | 800x600x300 STEEL ENCLOSURE                      | IP-806030             |
| Designed by |          | Checked by                                       | Approved by - date    |
| IP          |          | IP   | 17/10/16              |
| Filename    |          | Date   | Scale                 |
| IP-806030   |          | 17/10/16   | 1:10                  |
| Edition     |          |  | Sheet                 |
| 3           |          |  | 1/1                   |

