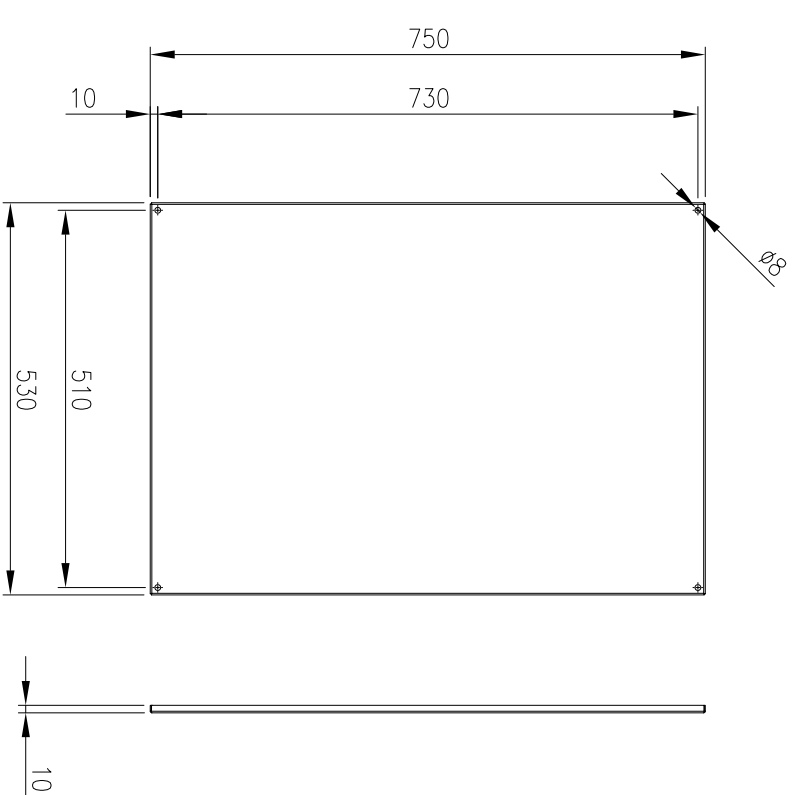
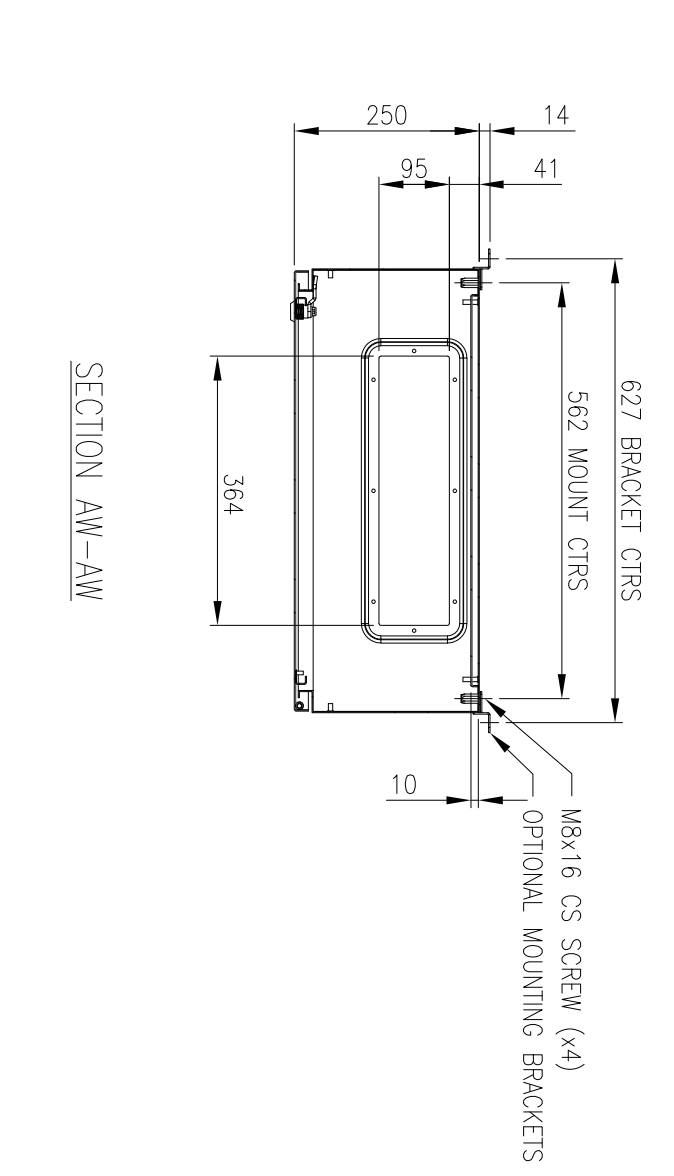
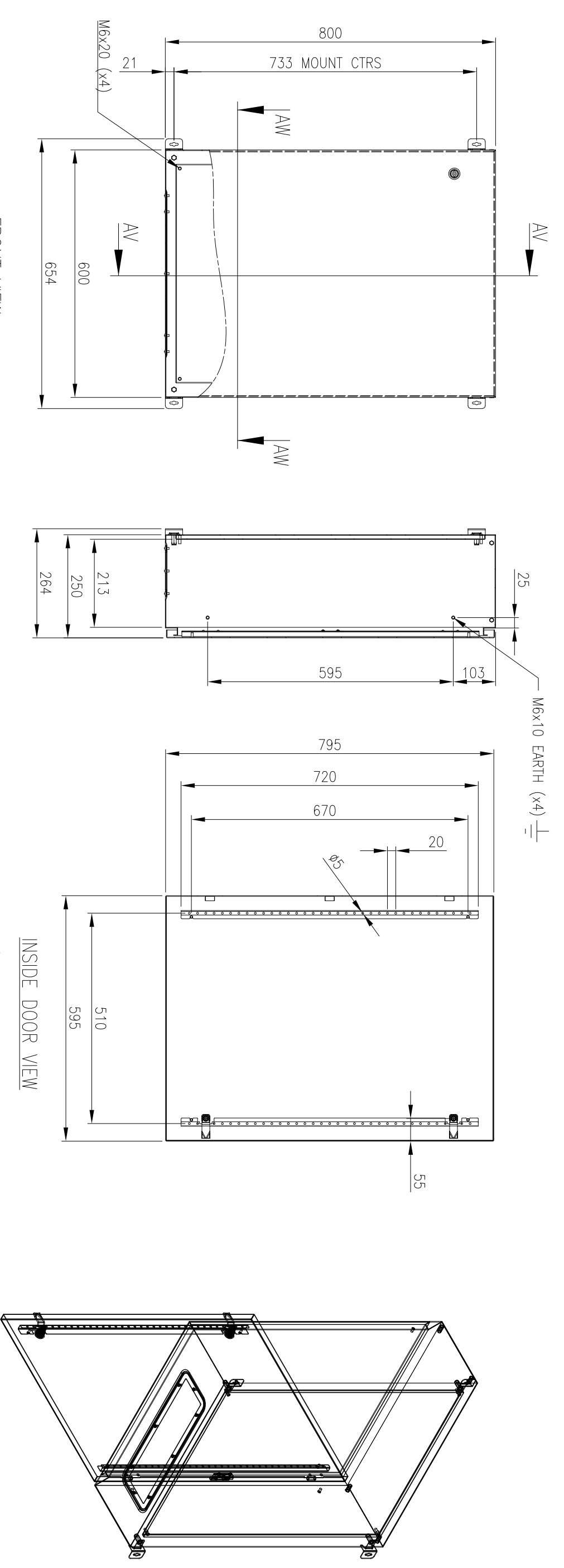


RevNo	Revision note	Date	Signature	Checked
1	GENERAL REVISION	9/8/17	IP	IP



MATERIAL
 BODY: 1.5mm GALVANISED STEEL SHEET
 DOOR: 1.5mm GALVANISED STEEL SHEET
 DEVICE PLATE: 1.5mm GALVANISED STEEL SHEET
 SEAL: POLYURETHANE
 SURFACE TREATMENT: POWDER-COAT 80-120micron

MASS: 26.0kg

PROTECTION: IP66 IK10, NEMA4
STANDARD: IEC/EN/AS62208, IEC/EN/AS60529

© IP ENCLOSURES 2016.
 THIS DRAWING SHALL NOT BE COPIED OR REPRODUCED
 WITHOUT AUTHORISATION FROM IP ENCLOSURES.
 www.ipenclosures.com.au

Item	Quantity	TradeName, designation, material, dimension etc.	Article No./Reference
IP Enclosures			
Designed by	Checked by	Approved by - date	Filename
IP	IP	17/10/16	IP-806025-01
			Date
			17/10/16
			Scale
			1:10
			800x600x250 STEEL ENCLOSURE
			IP-806025-01
			Edition
			1
			Sheet
			1/1