

# S1 Electrical Enclosure

# IP-806020

STEEL | SINGLE DOOR | IP66

800H x 600W x 200D

The S1 range of electrical enclosures are rated for protection up to IP66. This range is wall-mounted, powder-coated galvanised steel, single door construction suitable for heavy duty applications.

**Protection:** IP66 IK10 (NEMA 4)

**Standards (& Conformities):** IEC/EN 60529, IEC/EN 62208, IEC/EN 61439, RoHS



**Material:**

- Body: 1.5mm galvanised steel sheet
- Gland Plate: 1.5mm galvanised steel sheet
- Door: 1.5mm galvanised steel sheet
- Device Mounting Plate: 1.5mm galvanised steel sheet
- Seal: Polyurethane

**Enclosure Body:** The robust monoblock body is fabricated using 1.5mm galvanised steel sheet. Flat face sealing surfaces are provided to increase seal life. Pre-fitted blind nutserts are incorporated to accommodate mounts and accessory fasteners to eliminate drilling and retain IP rating. Integral device plate mounts and M6 earth studs are provided. A galvanised steel gland plate is incorporated into the bottom face. Cutting, pressing and full continuous seam welding using precision automated manufacturing equipment ensures accuracy and consistent high quality.

**Enclosure Door:** The robust surface mounted door is fabricated using 1.5mm galvanised steel sheet and incorporates concealed removable hinges with captive pins. The door is designed for a 110° opening. Each door contains cable management rail, an M6 earth stud and a high quality machine-applied foamed in place (FIP) Polyurethane seal. Two internal cable management rails can be removed to provide additional space for equipment, duct and door mounted control components.

**Enclosure Seal:** A high quality machine-applied full perimeter UL listed Polyurethane seal foamed in place (FIP) provides excellent sealing over a long life. Temperature resistance -40°C to 80°C (160°C short term loading).

**Enclosure Lock:** 5mm double bit insert quarter turn lock and key.

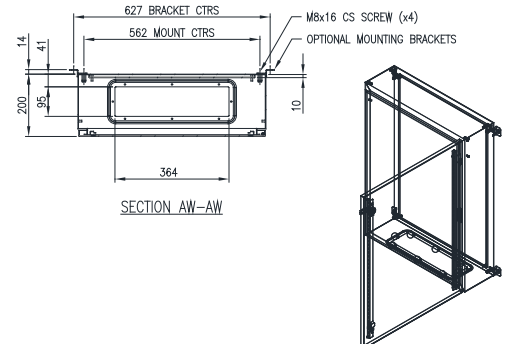
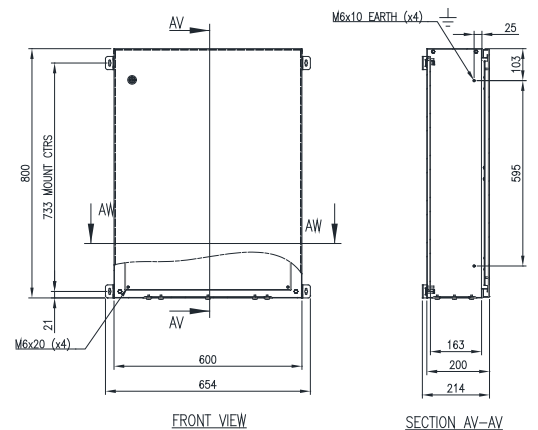
**Device Mounting Plate:** The device mounting plate is 1.5mm galvanised steel sheet. It is pressed to provide strength and is pre-fitted into the enclosure as standard.

**Gland Plate:** Gland plates are incorporated into the bottom face of the enclosure for cable management. They are provided with gaskets and fasteners. The size and quantity vary according to enclosure size.

**Surface Treatment:** UL approved AkzoNobel epoxy polyester powder-coated with a textured finish. 80-120 micron average thickness. Colour RAL7035.

**Mass:** 25.5Kg.

**Maximum Weight of Contents:** 176Kg.



# S1 Electrical Enclosure

# IP-806020

STEEL | SINGLE DOOR | IP66

800H x 600W x 200D

## ACCESSORIES:

Part Number	Description
IP-PSID8060	Steel Inner Door (To suit Enclosure 800mmH x 600mmW); Powder-Coated
IP-DINRAIL 7.5X35-530	DIN RAIL x 530mm (Pack of 10)
IP-GPB3-3; IP-GPA3-3; IP-GPBA5-3	3mm Brass; 3mm Aluminium; 5mm Aluminium Gland Plates
IP-EK01	Standard Earthing Kit
IP-PSRH6020	600mmW x 200mmD Steel Rain Hood; Powder-Coated
IP-8060VENTDOOR	Steel Enclosure Door with Ventilation; Powder-Coated
IP-WMBKIT	Wall-Mounting Bracket Kit (with 4x Brackets and Fasteners)
IP-L043	Wing Knob Padlockable; Cast Alloy Coated Black
IP-8060DOOR3PL	800H x 600W Door with 3-Point Locking and Key-Lock Swing Handle

## CERTIFICATES:

IEC 60529 Degrees of protection provided by enclosures: Certificate AB-0386-T 1902.14 02/00  
IEC/EN 62208 Empty Enclosures for low-voltage switchgear and controlgear assemblies: Certificate 0366932-TSE-01/01  
IEC/EN61439-1, 61439-2 low voltage switchgear and controlgear assemblies: Certificate AB-0341-T, 23-297-R1-N1-1  
CE Certificate of Compliance: Certificate SZL-21 MA 13338-1  
UKCA Certificate of Compliance: Certificate SZU-22 MA 19560-1  
UL: Listing Number E534557

## IEC/EN 61439 Certified Test Ratings:

Rated Voltage:	400 V AC
Rated Insulation Voltage:	690 V
Rated Impulse Withstand Voltage:	6 kV
Rated Current:	630A
Rated Peak Withstand Voltage:	40kA
Rated Short-Time Withstand Current:	20kA (Busbar)
Rated Conditional Short Circuit Current:	20kA
Rated Frequency:	50Hz

Products are manufactured to Quality, Safety and Environmental Standards.

**WARRANTY:** 5 years.