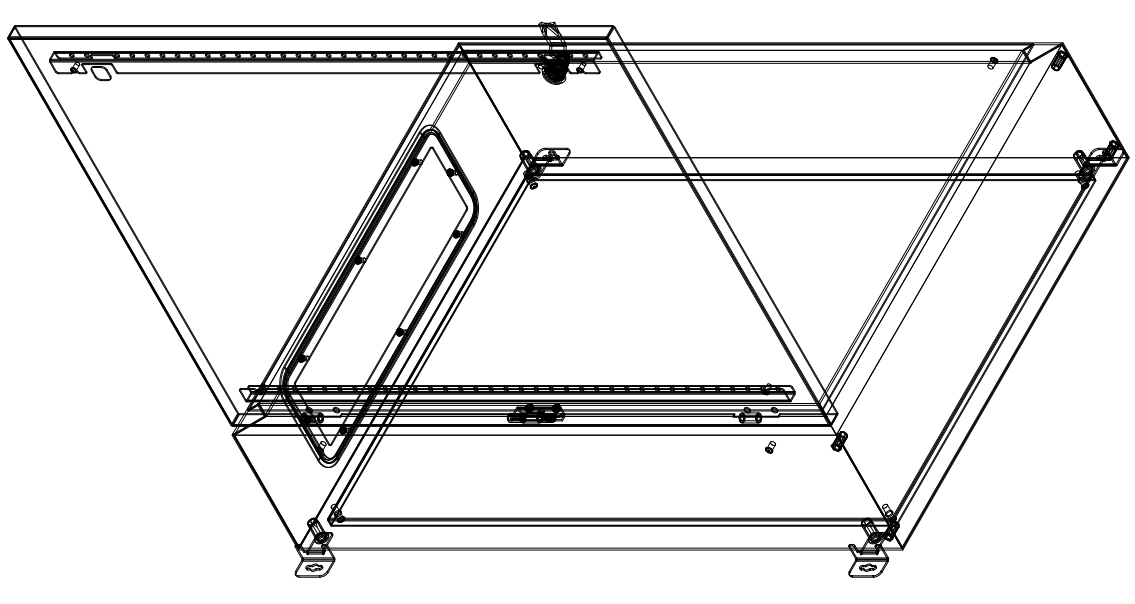
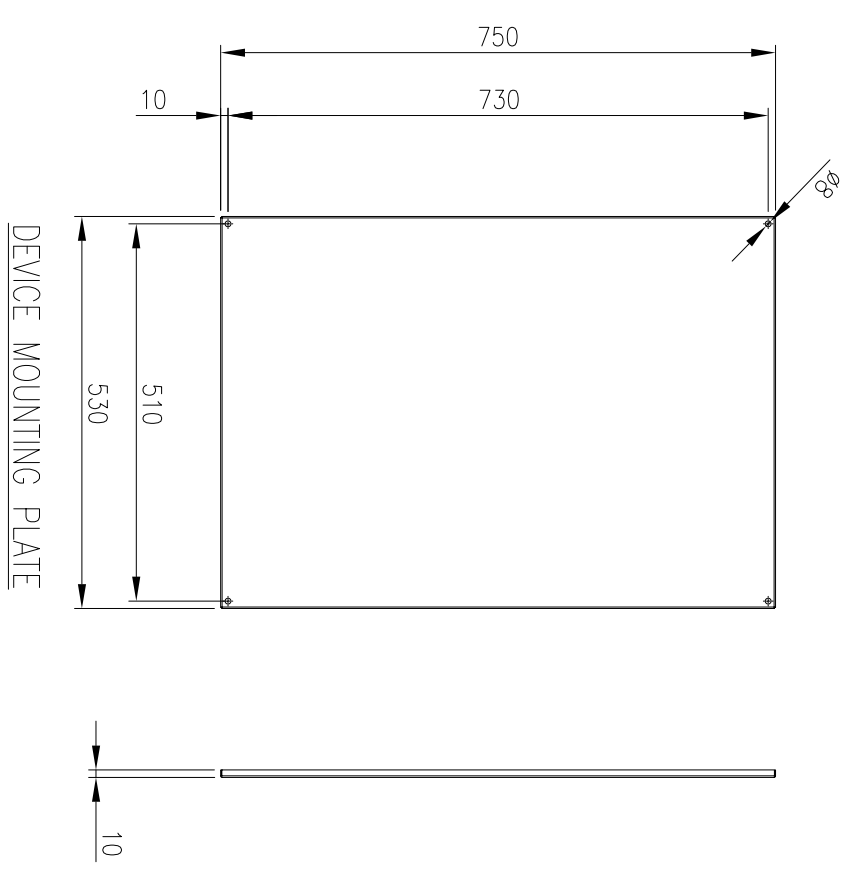
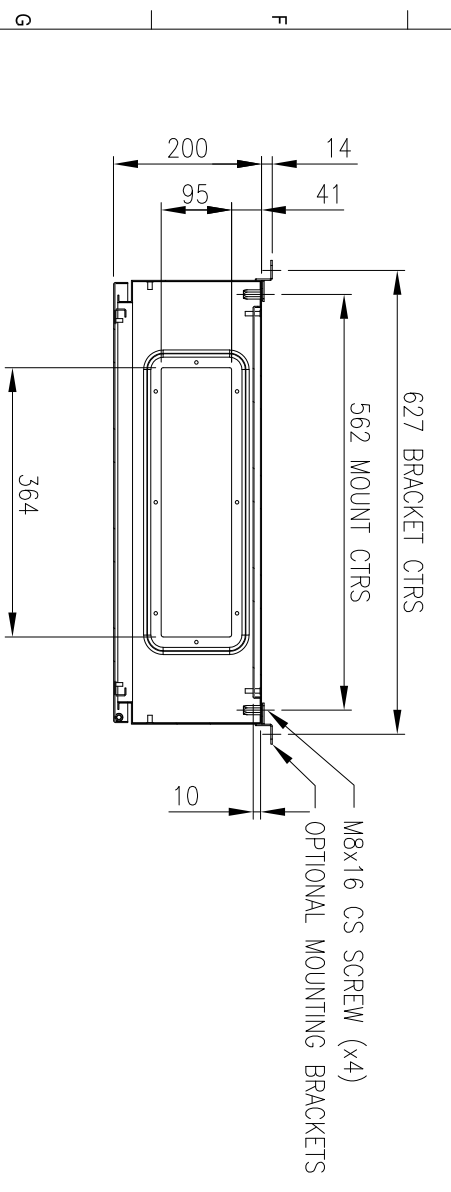
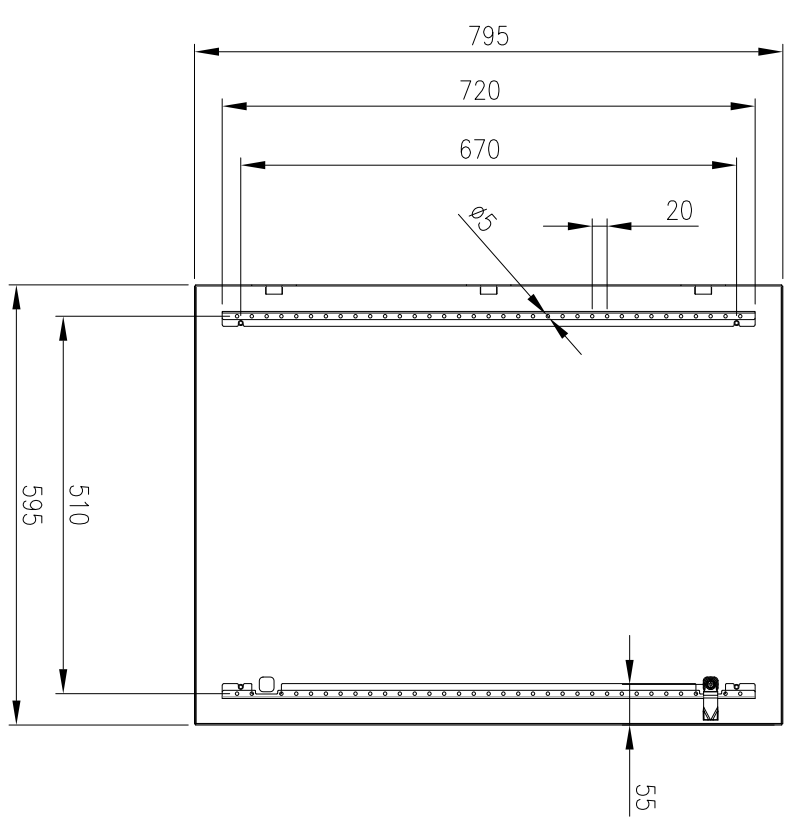
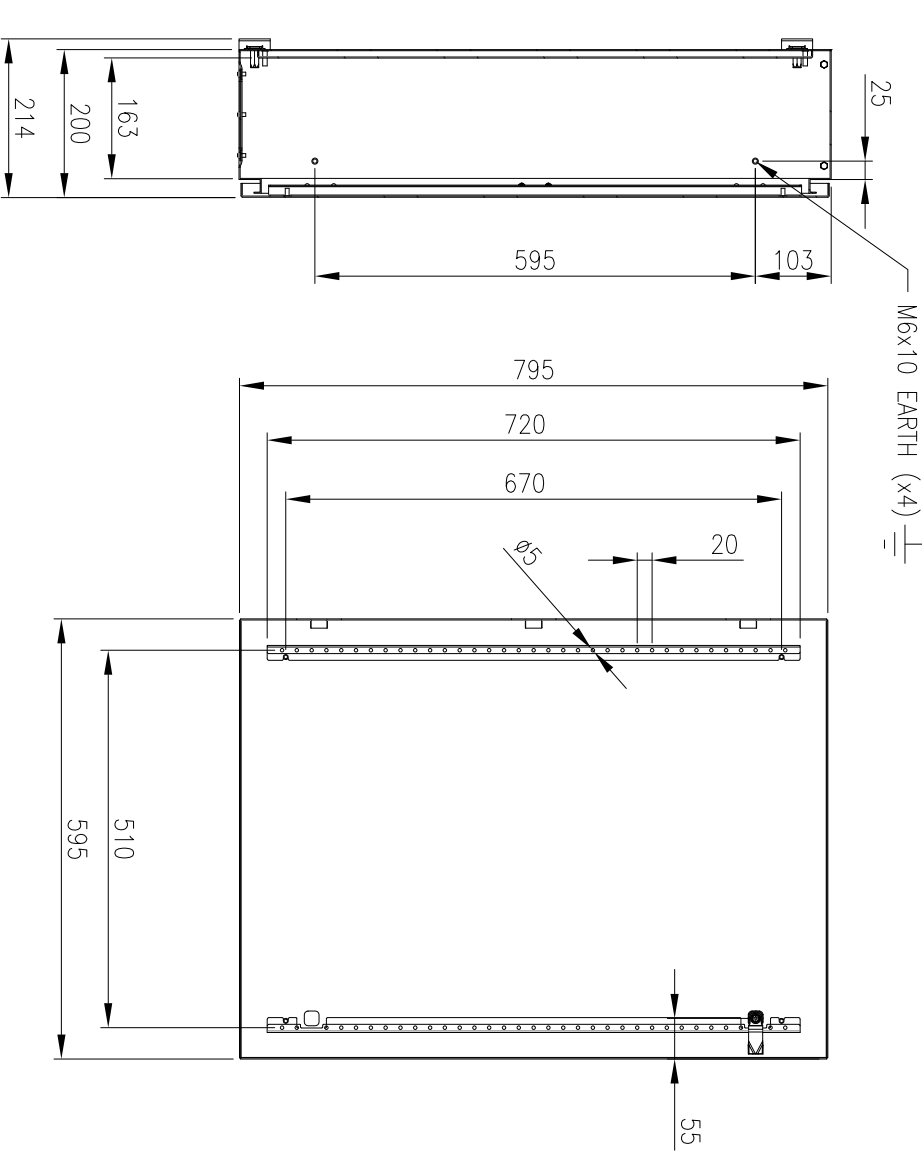
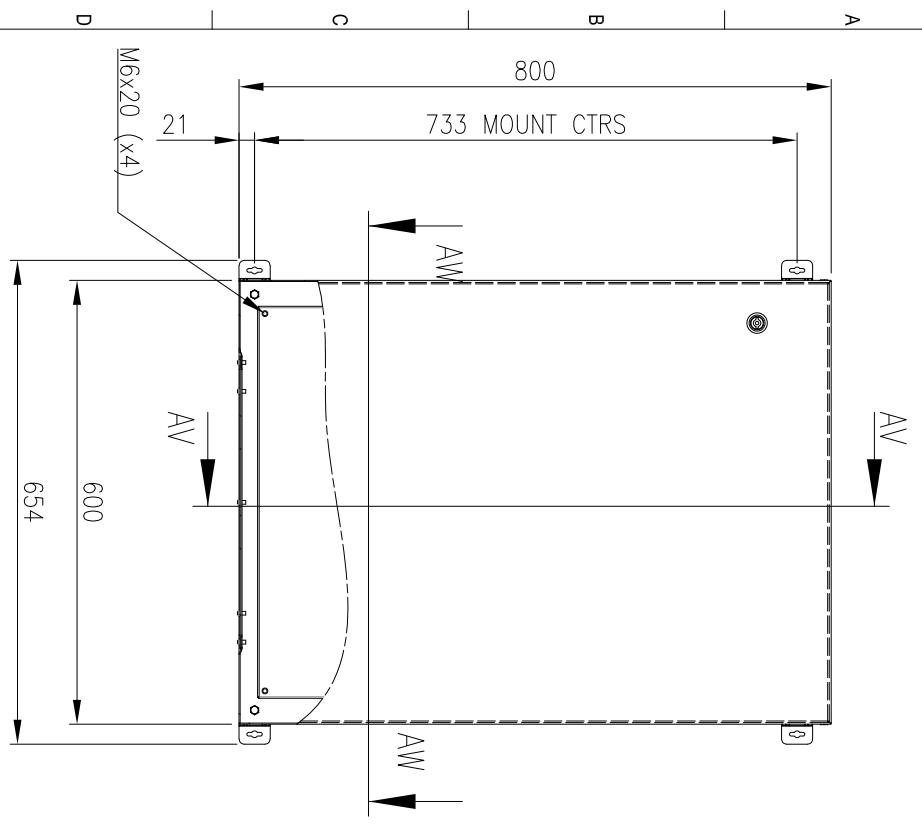


RevNo	Revision note	Date	Signature	Checked
1	GENERAL REVISION	9/8/17	IP	IP



**MATERIAL**  
 BODY: 1.5mm GALVANISED STEEL SHEET  
 DOOR: 1.5mm GALVANISED STEEL SHEET  
 DEVICE PLATE: 1.5mm GALVANISED STEEL SHEET  
 SEAL: POLYURETHANE  
 SURFACE TREATMENT: POWDER-COAT 80-120micron

MASS: 24.5kg

PROTECTION: IP66 IK10, NEMA4  
 STANDARD: IEC/EN/AS62208, IEC/EN/AS60529

Item	Quantity	TradeName, designation, material, dimension etc.	Article No./Reference
IP Enclosures			

© IP ENCLOSURES 2016.  
 THIS DRAWING SHALL NOT BE COPIED OR REPRODUCED  
 WITHOUT AUTHORISATION FROM IP ENCLOSURES.  
 www.ipenclosures.com.au