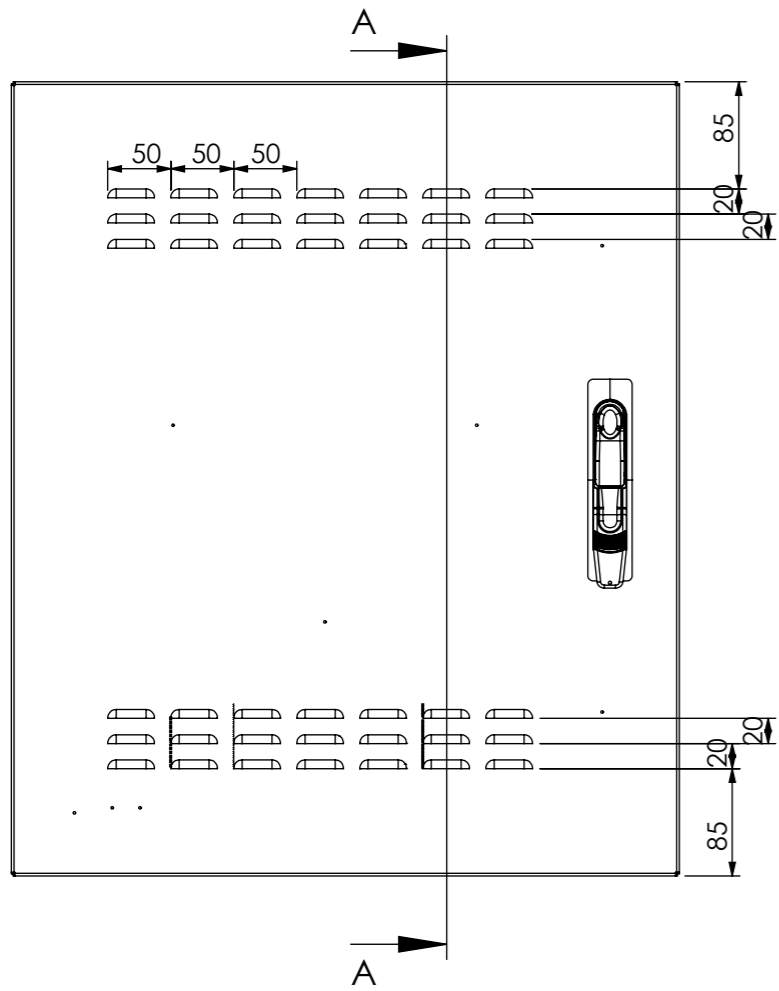
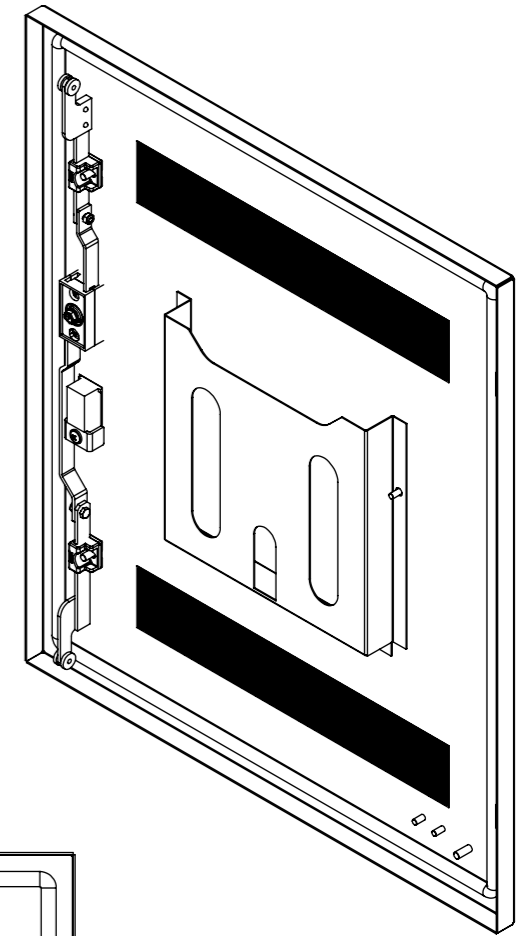
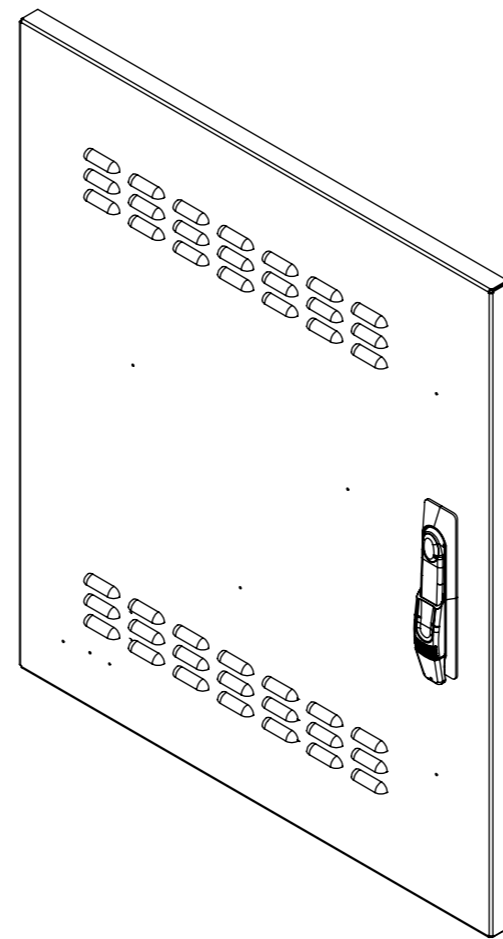
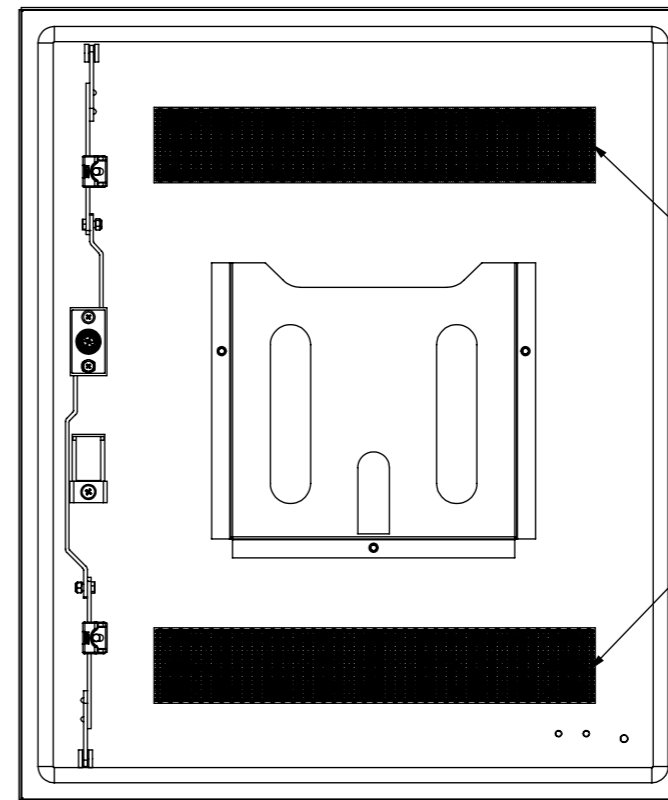
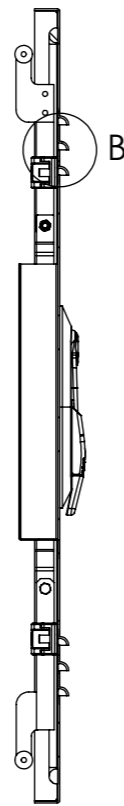


DETAIL B



SECTION A-A



steel wire mesh

		Dimensions in mm SCALE: <b>1:10</b>	CLIENT
TOLERANCE/ TOLERANS (+,-)0,5 MM		MATERIAL PAINT CODE <b>TITLE IP-7060VENTDOOR-T33</b>	
DESIGNER	ISMAIL BOLAT	SIGNATURE	DATE 8.10.2021
CHECKED		DWG NO	Pag. A4
		THICKNESS	SHEET OF 1