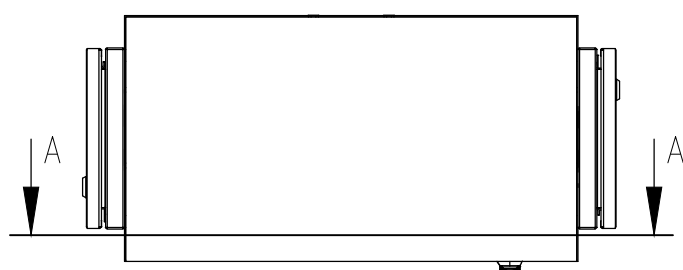
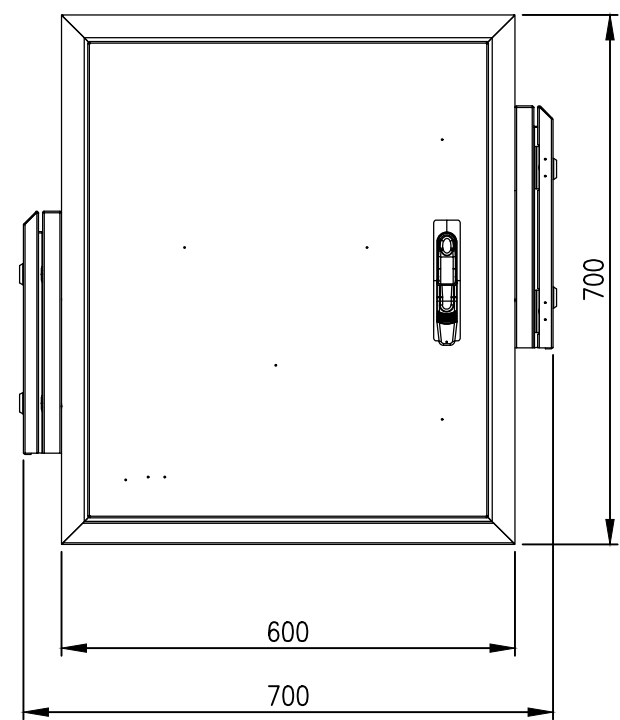
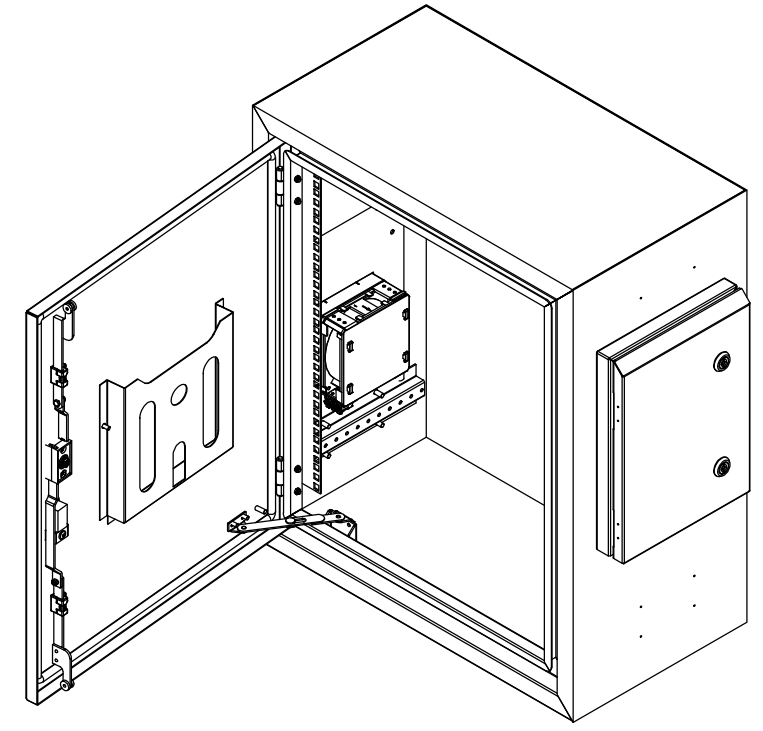


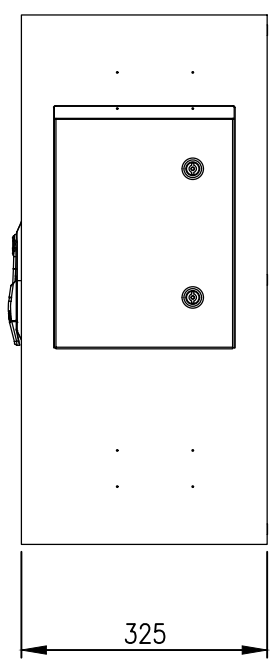
RevNo	Revision note	Date	Signature	Checked
1	GENERAL REVISION	03/04/23	IP	IP



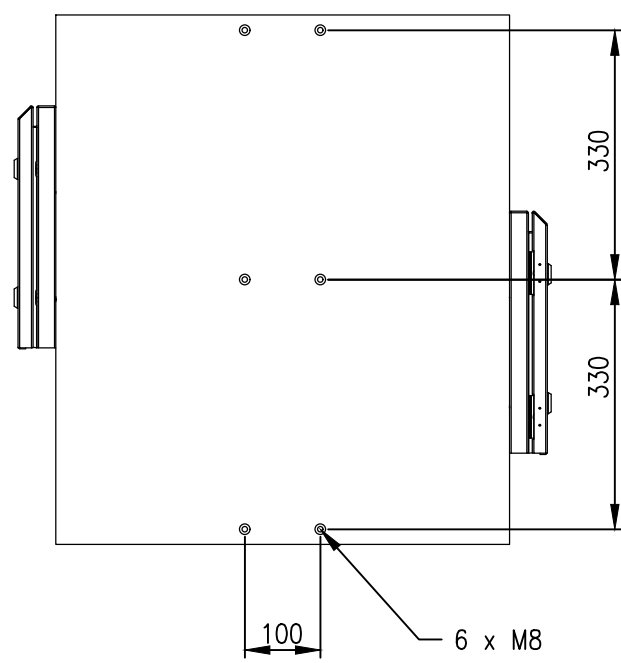
TOP VIEW



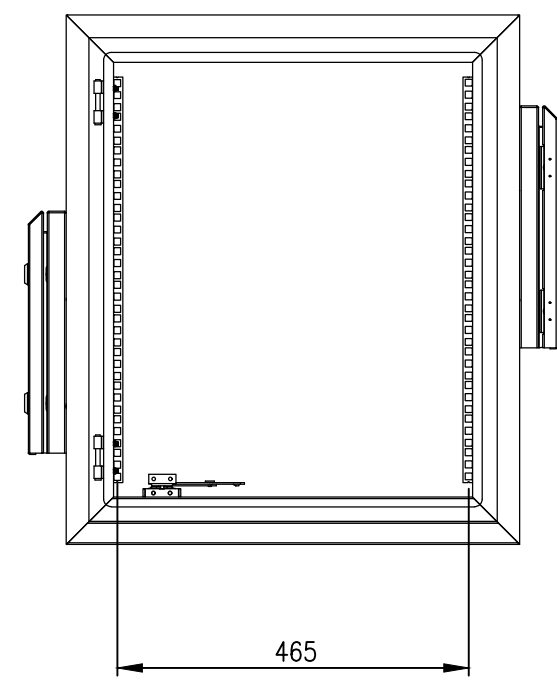
FRONT VIEW



SIDE VIEW



REAR VIEW



SECTION AA

MATERIAL
 BODY: 1.5mm GALVANISED STEEL SHEET
 DOOR: 2.0mm GALVANISED STEEL SHEET
 19" DATA RACK RAILS: 1.5mm GALVANISED STEEL
 SEAL: POLYURETHANE
 SURFACE TREATMENT: POWDER-COAT 80-120micron

PROTECTION: IP55 (VENTILATED)
STANDARD: IEC62208, IEC/EN/AS60529

© IP ENCLOSURES 2016.
 THIS DRAWING SHALL NOT BE COPIED OR REPRODUCED
 WITHOUT AUTHORISATION FROM IP ENCLOSURES.
 www.ipenclosures.com.au

Itemref	Quantity	Title/Name, designation, material, dimension etc	Article No./Reference
IP	1	700x600x325 FIELD CABINET (VENTILATED)	IP-706032-T33
Designed by	Checked by	Approved by - date	Filename Date Scale
IP	IP	08/07/21	IP-706032-T33 08/07/21 1:10
IP Enclosures			Edition 1 Sheet 1/1