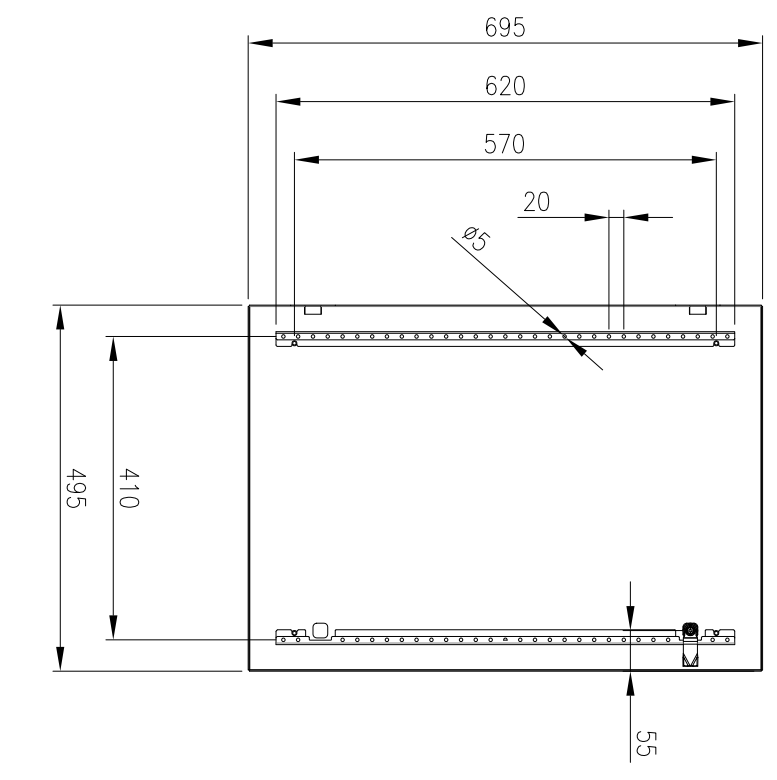
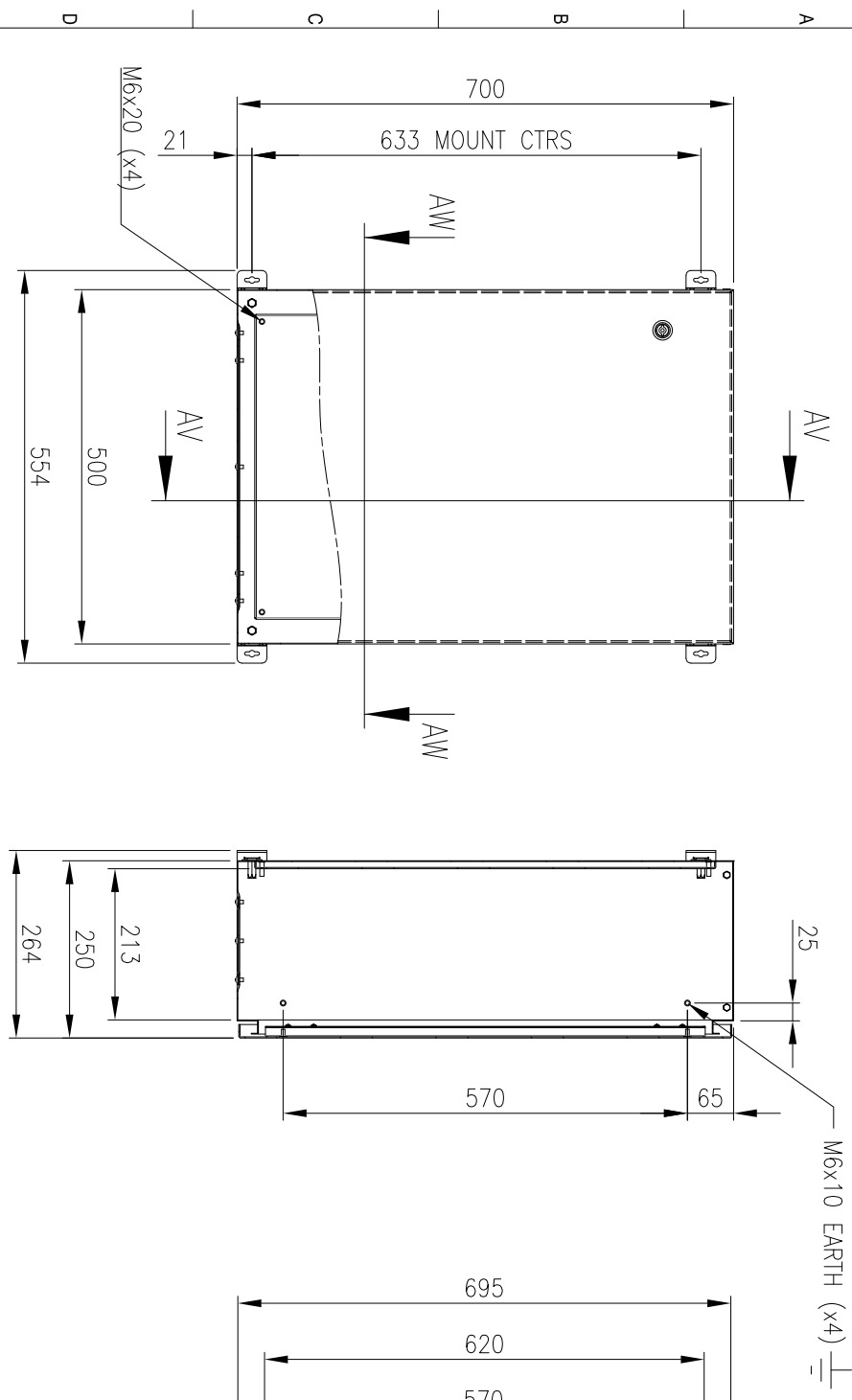


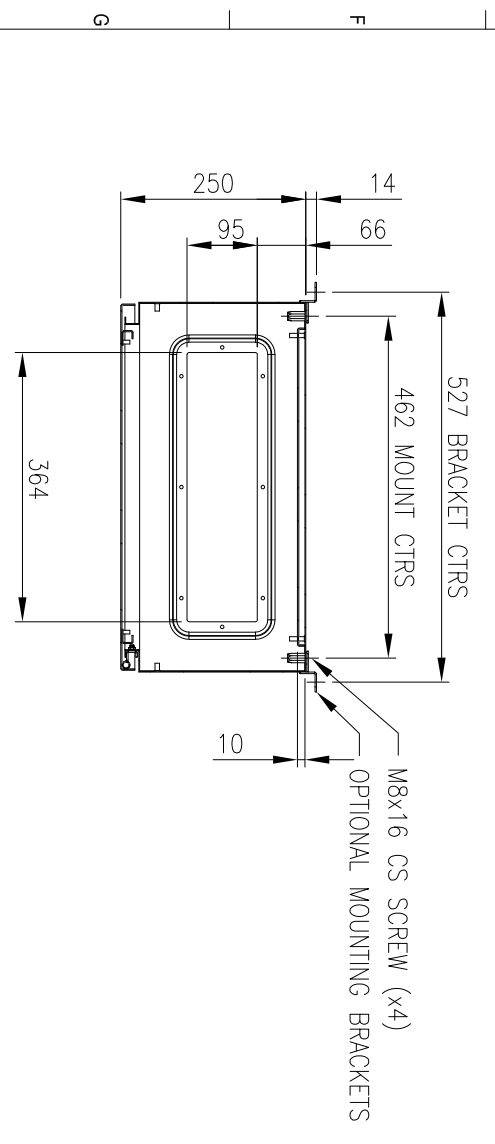
RevNo	Revision note	Date	Signature	Checked
1	GENERAL REVISION	9/8/17	IP	IP



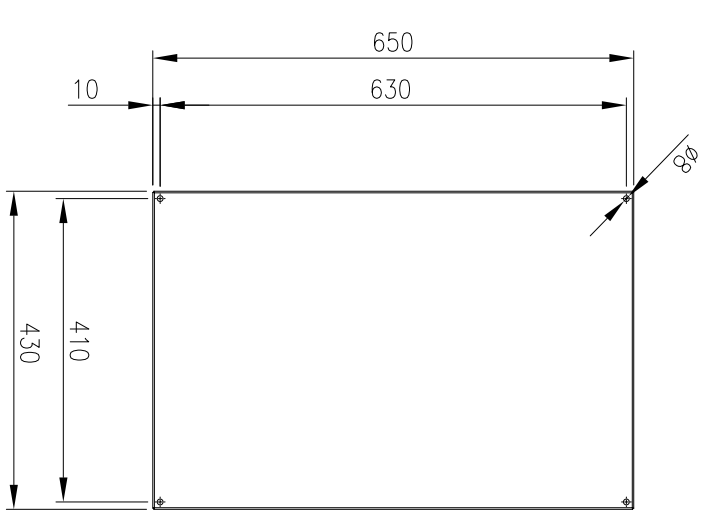
FRONT VIEW

SECTION AV-AV

INSIDE DOOR VIEW



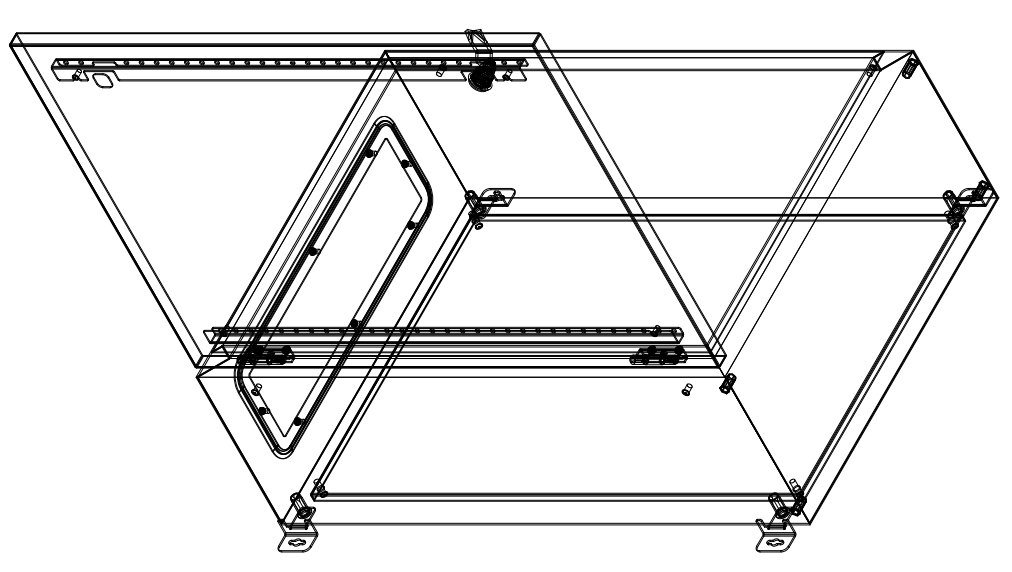
SECTION AW-AW



DEVICE MOUNTING PLATE

**MATERIAL**  
 BODY: 1.2mm GALVANISED STEEL SHEET  
 DOOR: 1.5mm GALVANISED STEEL SHEET  
 DEVICE PLATE: 1.5mm GALVANISED STEEL SHEET  
 SEAL: POLYURETHANE  
 SURFACE TREATMENT: POWDER-COAT 80-120micron  
 MASS: 18.5kg

**PROTECTION:** IP66 IK10, NEMA4  
**STANDARD:** IEC/EN/AS62208, IEC/EN/AS60529



© IP ENCLOSURES 2016.  
 THIS DRAWING SHALL NOT BE COPIED OR REPRODUCED  
 WITHOUT AUTHORISATION FROM IP ENCLOSURES.  
 www.ipenclosures.com.au

Item	Quantity	TradeName, designation, material, dimension etc.	Article No./Reference
IP Enclosures			

Item	Quantity	TradeName, designation, material, dimension etc.	Article No./Reference
IP			

Item	Quantity	TradeName, designation, material, dimension etc.	Article No./Reference
IP			

Item	Quantity	TradeName, designation, material, dimension etc.	Article No./Reference
IP			