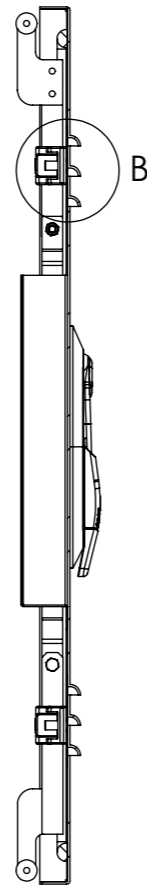
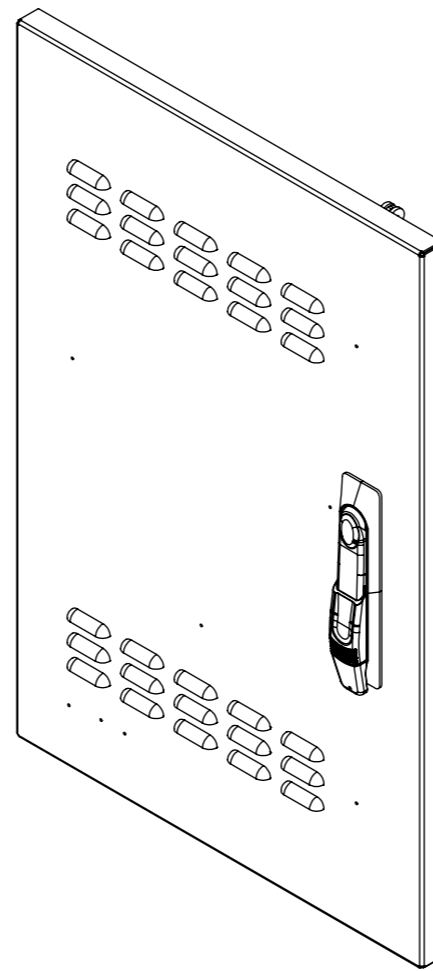
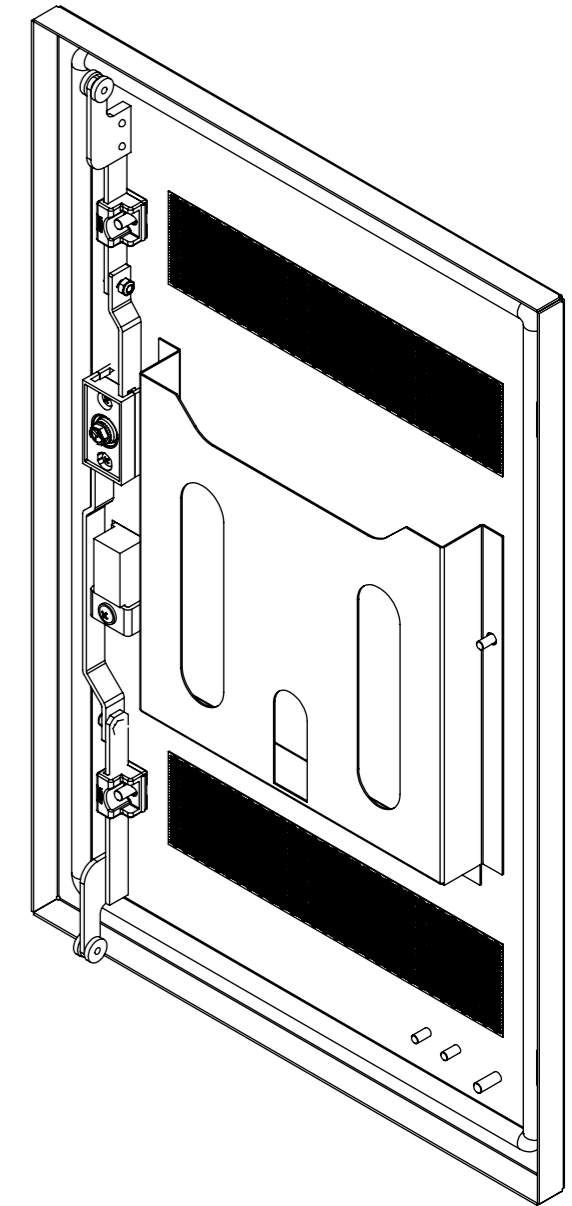
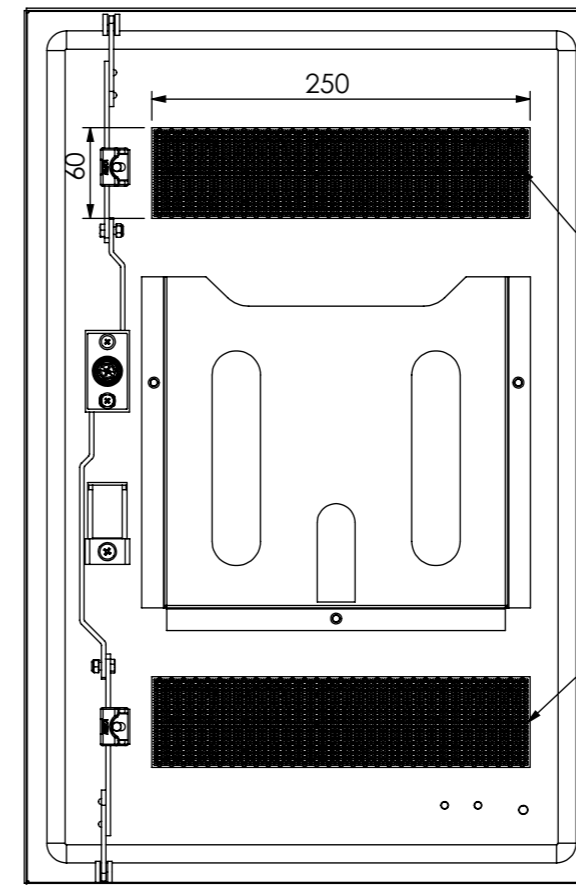




DETAIL B



SECTION A-A



steel wire mesh

		 Dimensions in mm SCALE: <b>1:10</b>	CLIENT	
TOLERANCE/ TOLERANS	(+,-)0,5 MM	MATERIAL	TITLE <b>IP-6545VENTDOOR-T33</b>	
		PAINT CODE	DWG NO	Pag. A4
DESIGNER	ISMAIL BOLAT	SIGNATURE	DATE 8.10.2021	
CHECKED			THICKNESS	SHEET OF 1