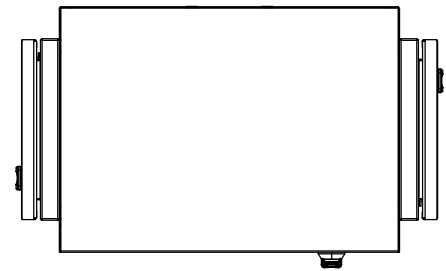
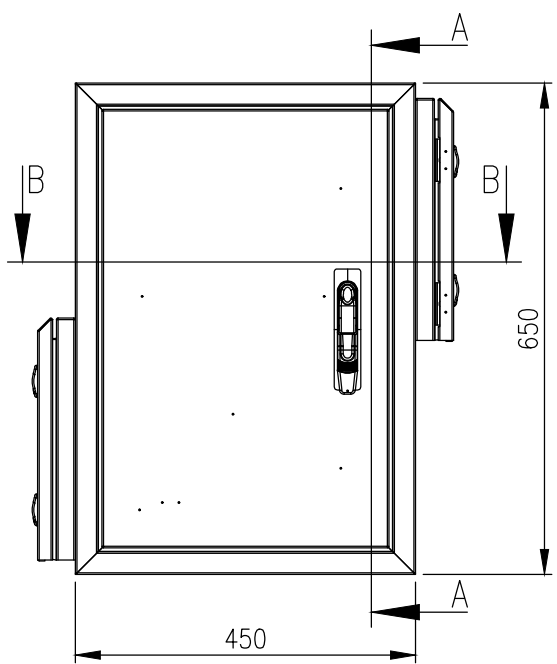


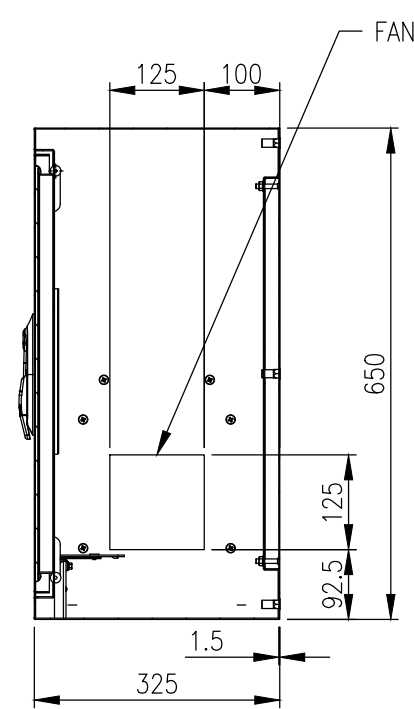
RevNo	Revision note	Date	Signature	Checked
2	GENERAL REVISION	15/04/25	IP	IP



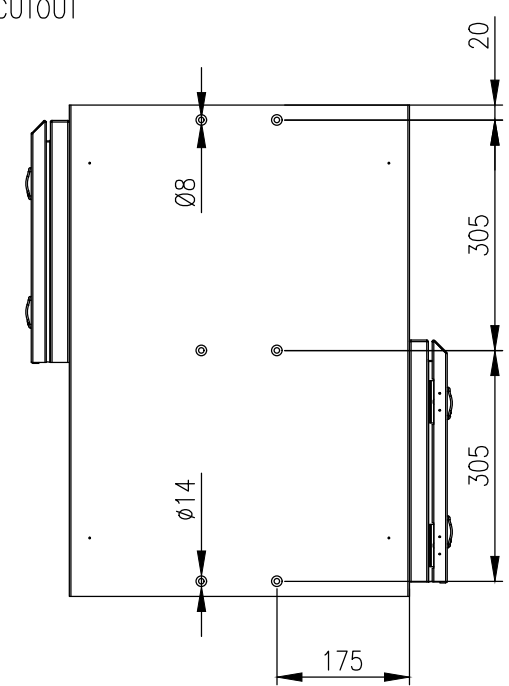
FRONT VIEW



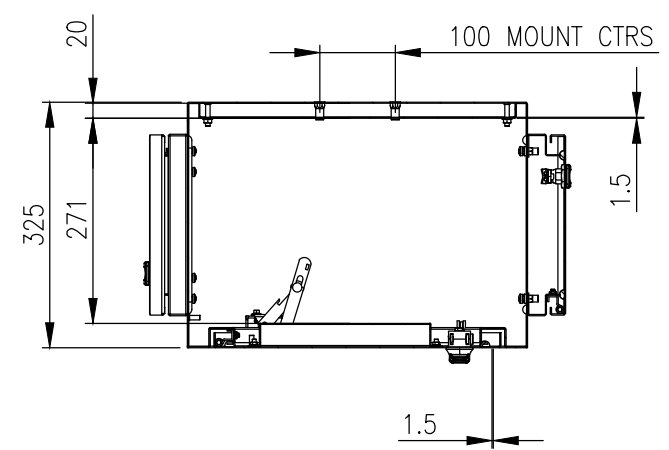
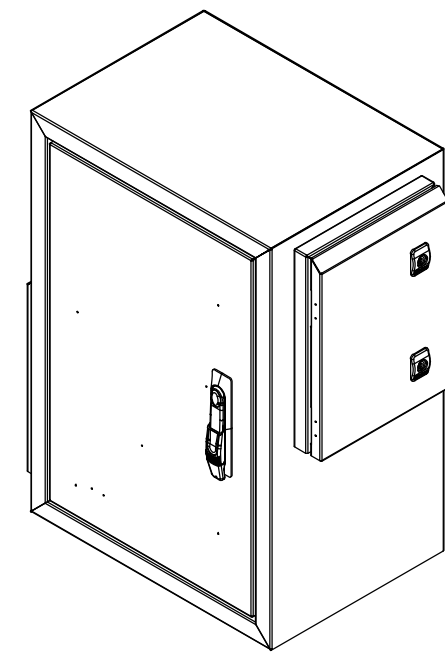
FRONT VIEW



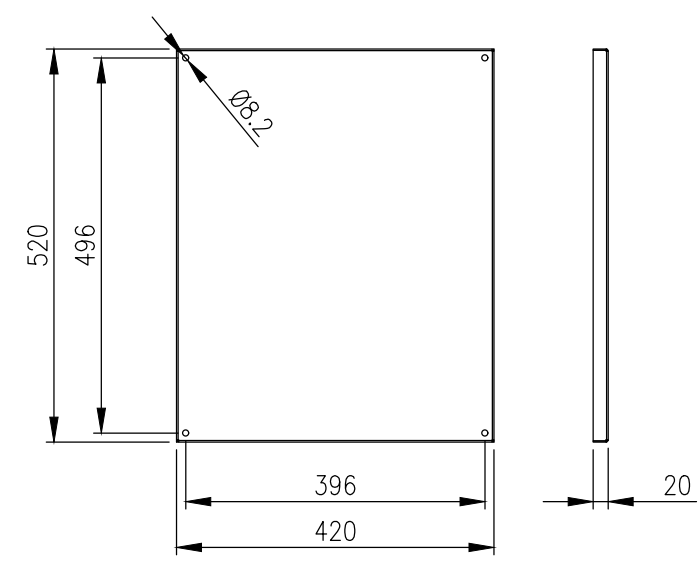
SECTION A-A



REAR VIEW



SECTION B-B



DEVICE MOUNTING PLATE

MATERIAL
 BODY: 1.5mm GALVANISED STEEL SHEET
 DOOR: 1.5mm GALVANISED STEEL SHEET
 DEVICE PLATE: 1.5mm GALVANISED STEEL SHEET
 SEAL: POLYURETHANE
 SURFACE TREATMENT: POWDER-COAT 80-120micron
 COLOUR: T33 SMOKE BLUE

MASS: 26.5Kg.

PROTECTION: IP55 IK10
 STANDARD: IEC/EN62208, IEC/EN/AS60529

© IP ENCLOSURES 2016.
 THIS DRAWING SHALL NOT BE COPIED OR REPRODUCED
 WITHOUT AUTHORISATION FROM IP ENCLOSURES.
 www.ipenclosures.com.au

IMPORTANT NOTE:
 POLE MOUNTING BRACKETS ARE NOT INCLUDED
 AND MUST BE ORDERED SEPARATELY.

Itemref	Quantity	Title/Name, designation, material, dimension etc	Article No./Reference
IP	1	650x450x325 FIELD CABINET-T33 (VENTILATED)	IP-654532-T33
Designed by		Checked by	Approved by - date
IP		IP	15/04/25
Date		Signature	Checked
15/04/25		IP	IP
Edition		Sheet	
2		1/1	

