

IP66 Field Cabinet

P-654532-0-T33

STEEL | POLE MOUNT | IP66

**650H x 450W x 325D
Non-Ventilated**

Pole-Mounted Field Cabinets are designed to house sensitive data network and electrical equipment for a variety of outdoor applications.

Protection: Complies with IP66

Standard: IEC62208, IEC/EN/AS60529, EIA-310-D, RoHS 

Material:

- Body: 1.5mm galvanised steel sheet
- Door: 2.0mm galvanised steel sheet
- Enclosure Seal: Polyurethane

Body: The robust monoblock body is fabricated using 1.5mm galvanised steel sheet. Flat face sealing surfaces increase seal life. Pre-fitted blind nutserts are incorporated to accommodate pole mount bracket to eliminate drilling and retain IP rating. Integral device plate mounts and M6 earth stud are included.

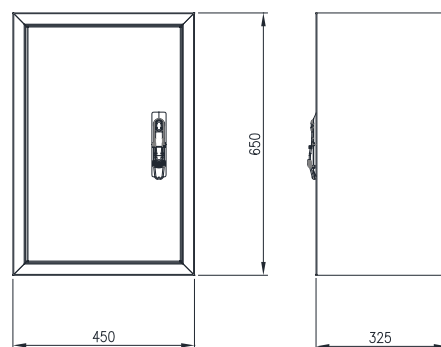
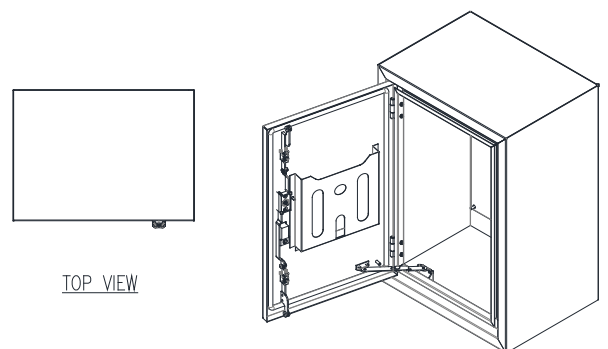
Door: The front door is fabricated using 2.0mm galvanised steel sheet and is designed to provide flush recessed mounting to prevent vandalism and unauthorised access. The door incorporates concealed removable hinges with captive pins. It is hinged on the left side and is provided with a heavy duty door stay. An A4 plan pocket is provided.

Door Seals: Polyurethane foamed in place (FIP) full perimeter door seals provide excellent sealing over a long life. Temperature resistance: -40°C to 80°C.

Locks: 3-point locking system with key-lock swing handle. Optional locking including half euro keyed as required, restricted keys, Bilock, etc.

Surface Treatment: UL approved polyester powder-coated with a smooth gloss finish, 80-120 micron average thickness, providing excellent exterior durability and colour retention. Colour: T33 Smoke Blue.

Accessory: Optional Pole Mount Bracket (One-piece, full height). Optional Base: 600mm high base, flush to suit width and depth of field cabinet. Powder coated, colour T33 Smoke Blue.



FRONT VIEW

SIDE VIEW