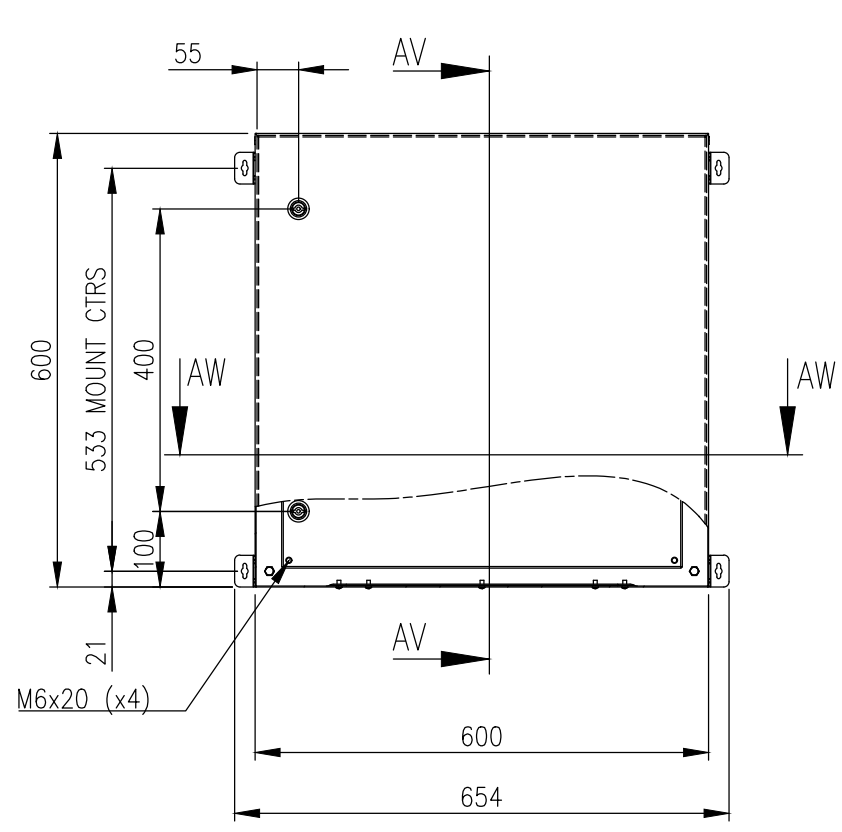
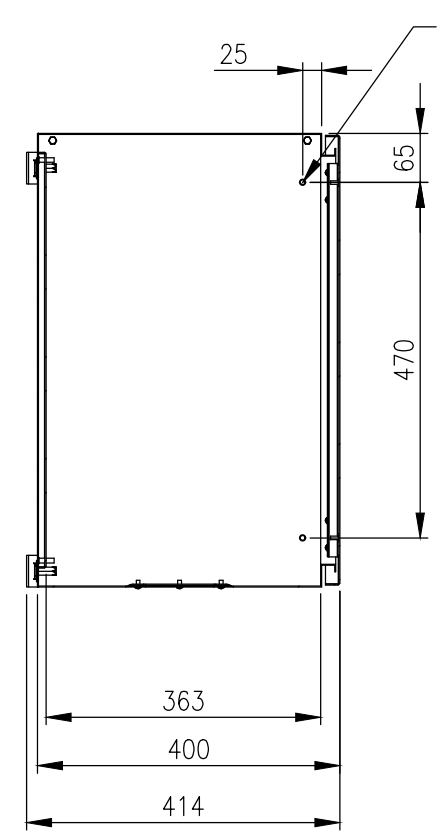


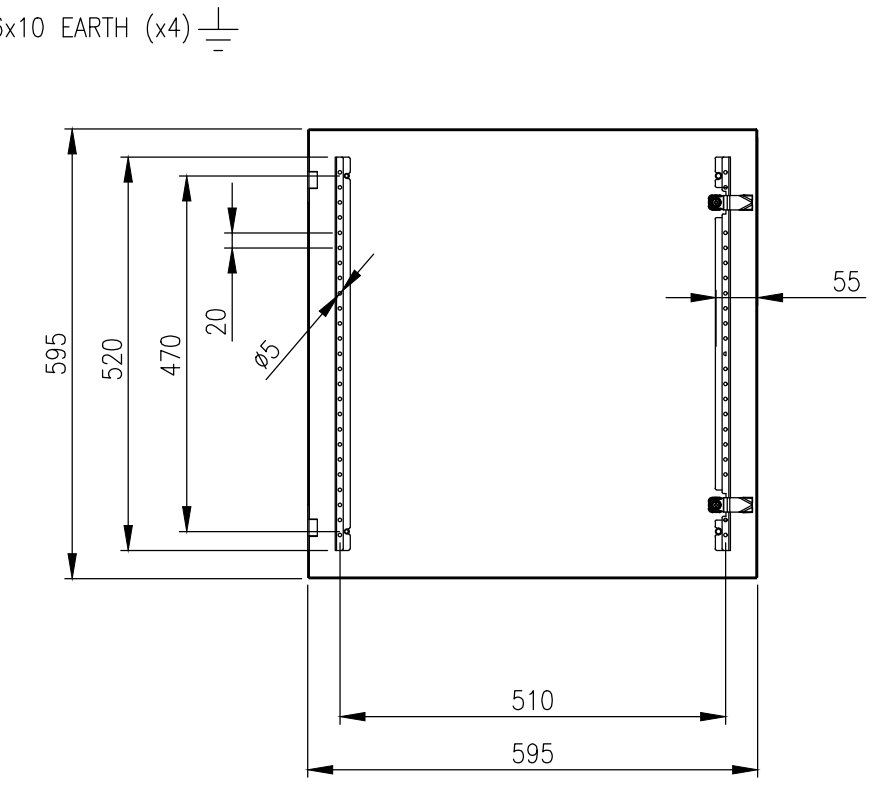
RevNo	Revision note	Date	Signature	Checked
1	GENERAL REVISION	24/02/25	IP	IP



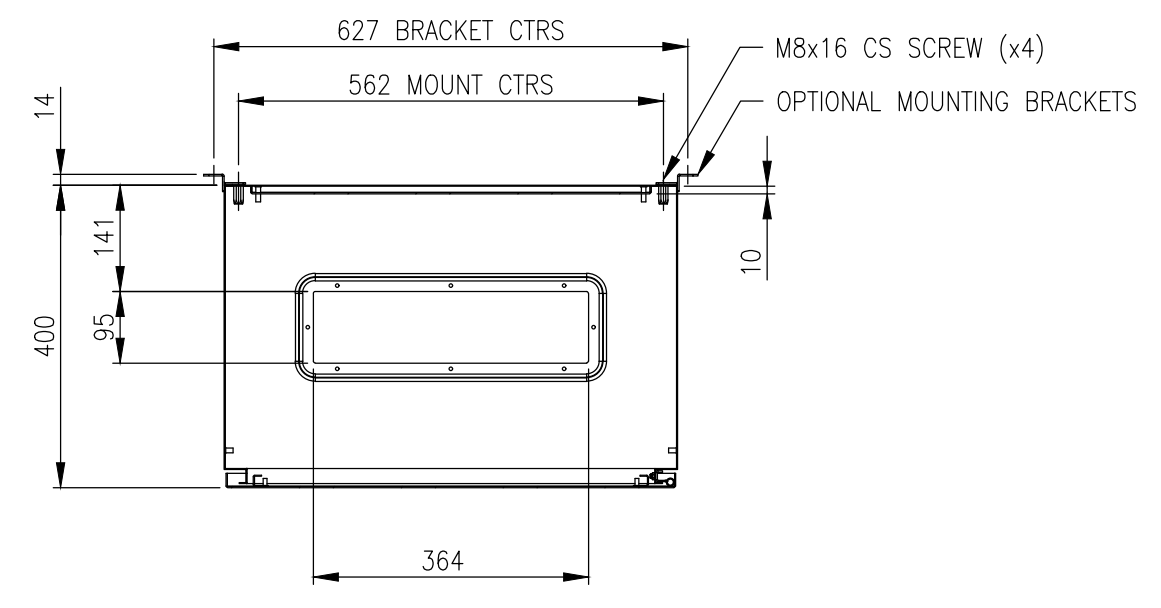
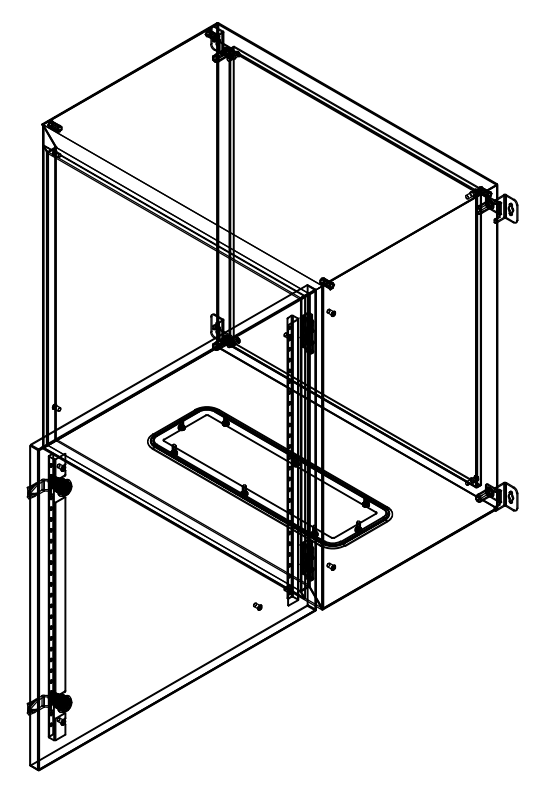
FRONT VIEW



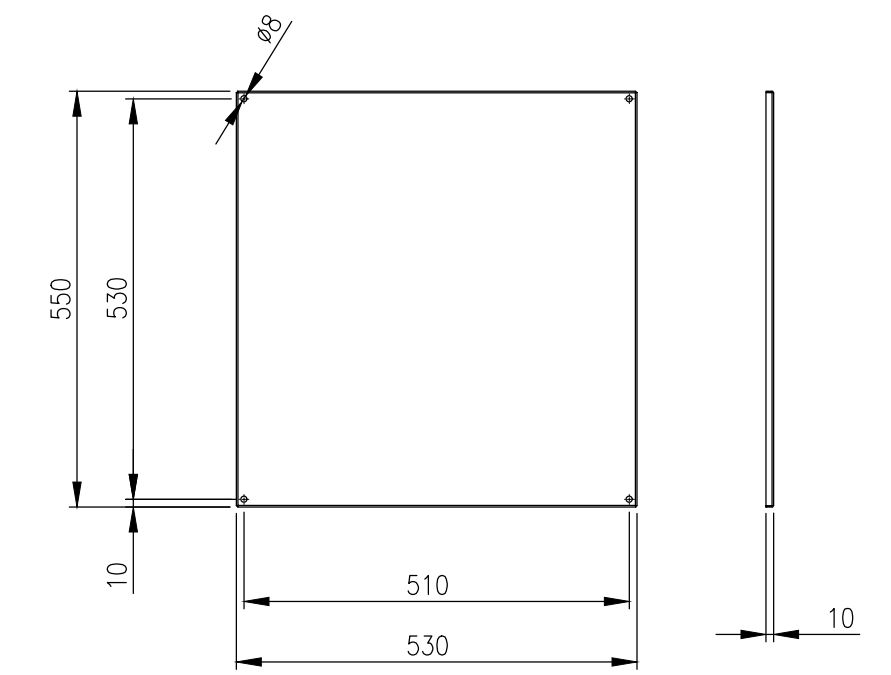
SECTION AV-AV



INSIDE DOOR VIEW



SECTION AW-AW



DEVICE MOUNTING PLATE

**MATERIAL**  
 BODY: 1.2mm GALVANISED STEEL SHEET  
 DOOR: 1.5mm GALVANISED STEEL SHEET  
 DEVICE PLATE: 1.5mm GALVANISED STEEL SHEET  
 GLAND PLATE: 1.5mm GALVANISED STEEL SHEET  
 SEAL: POLYURETHANE  
 SURFACE TREATMENT: POWDER-COAT 80-120micron  
 COLOUR: RAL7035 LIGHT GREY

**MASS:** 25.6Kg.

**PROTECTION:** IP66 IK10 (NEMA 4)  
**STANDARD:** IEC/EN62208, IEC/EN/AS60529

© IP ENCLOSURES 2016.  
 THIS DRAWING SHALL NOT BE COPIED OR REPRODUCED  
 WITHOUT AUTHORISATION FROM IP ENCLOSURES.  
 www.ipenclosures.com.au

**IMPORTANT NOTE:**  
 WALL MOUNTING BRACKETS ARE NOT INCLUDED  
 AND MUST BE ORDERED SEPARATELY.

Itemref	Quantity	Title/Name, designation, material, dimension etc	Article No./Reference
IP	1	600x600x400 STEEL ENCLOSURE	IP-606040
Edition 1		Sheet 1/1	