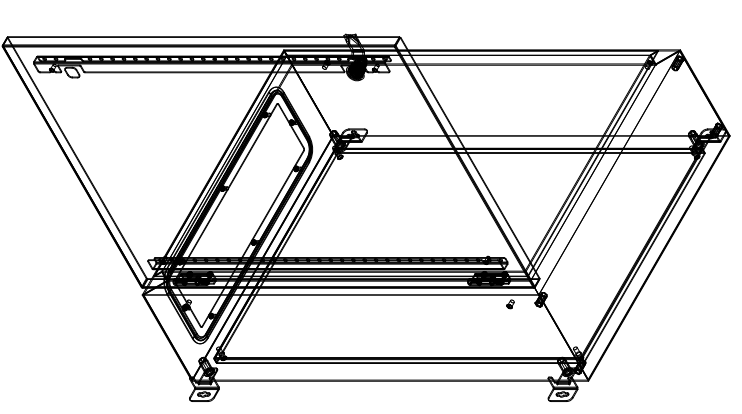
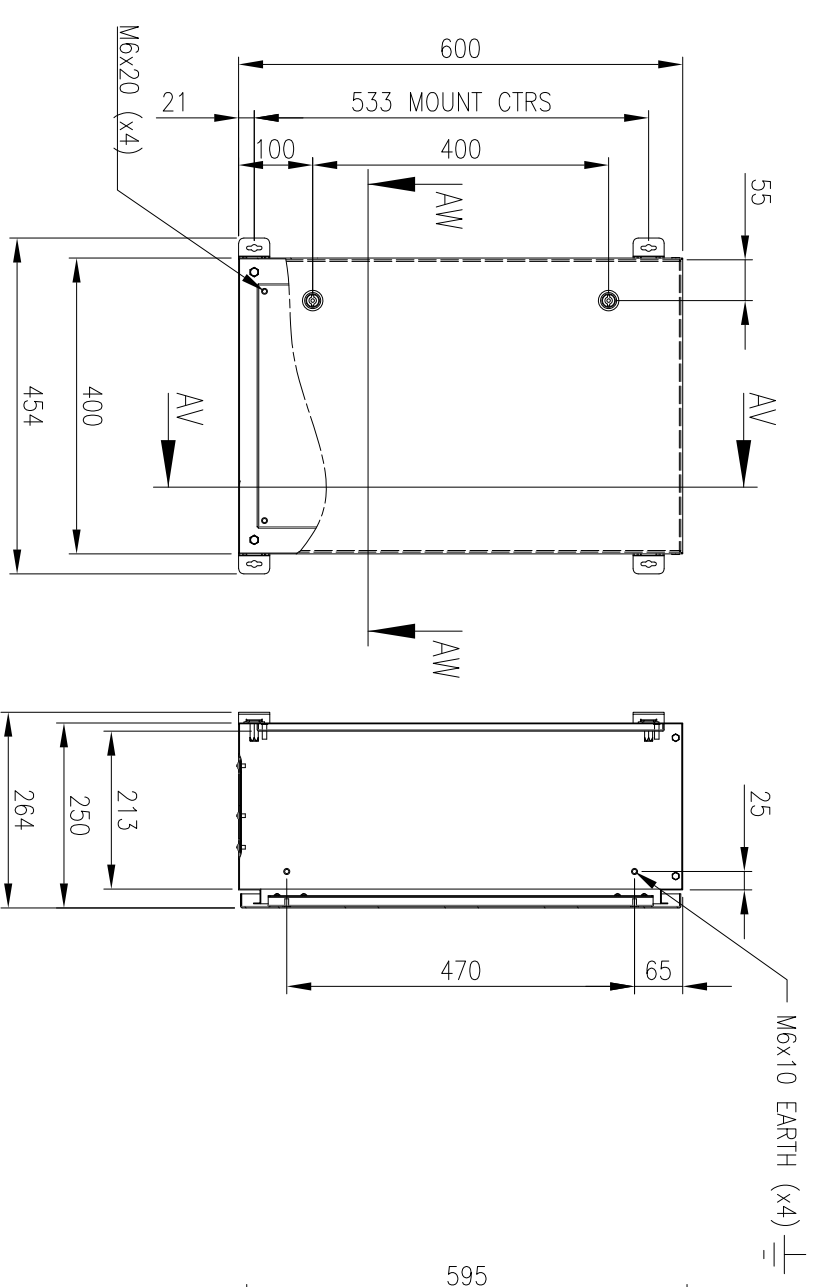
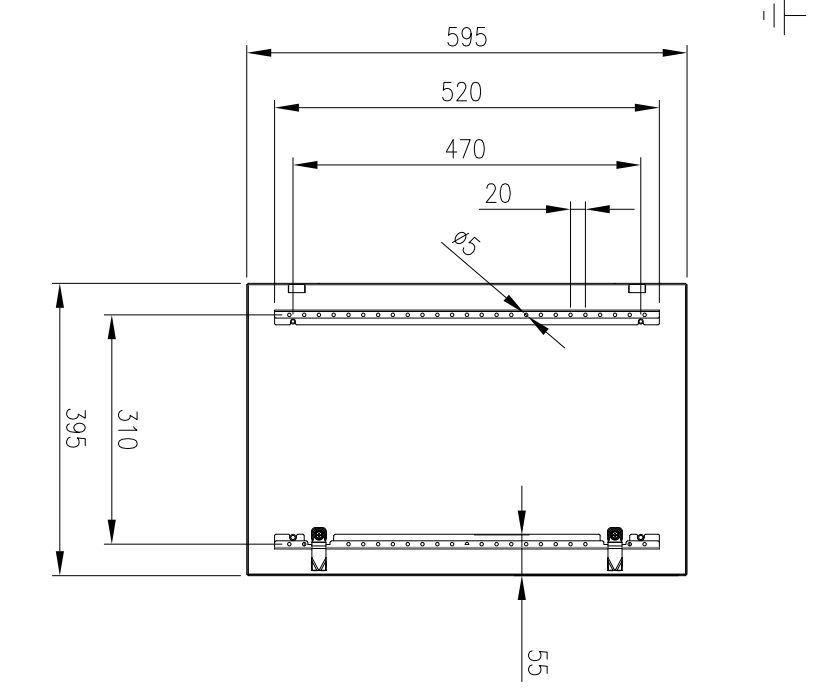


RevNo	Revision note	Date	Signature	Checked
3	GENERAL REVISION	9/7/19	IP	IP



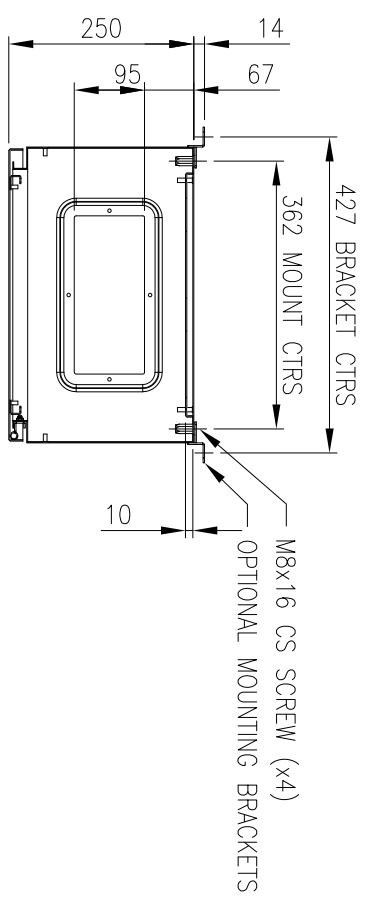
NOT TO SCALE. INDICATIVE ONLY.



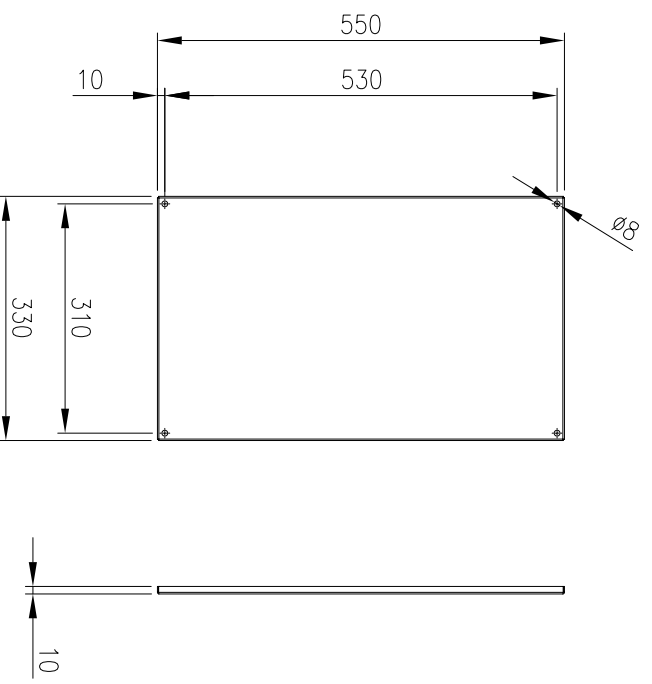
FRONT VIEW

SECTION AV-AV

INSIDE DOOR VIEW



SECTION AW-AW



DEVICE MOUNTING PLATE

MATERIAL
 BODY: 1.2mm GALVANISED STEEL SHEET
 DOOR: 1.5mm GALVANISED STEEL SHEET
 DEVICE PLATE: 1.5mm GALVANISED STEEL SHEET
 SEAL: POLYURETHANE
 SURFACE TREATMENT: POWDER-COAT 80-120micron

MASS: 15kg

PROTECTION: IP66 IK10, NEMA4
STANDARD: IEC62208, IEC/EN/AS60529

© IP ENCLOSURES 2016.
 THIS DRAWING SHALL NOT BE COPIED OR REPRODUCED
 WITHOUT AUTHORISATION FROM IP ENCLOSURES.
 www.ipenclosures.com.au

Item#	Quantity	Part/Items, designation, material, dimension etc.	Article No./Reference
IP	1	600x400x250 STEEL ENCLOSURE	IP-604025-01



Designed by	Checked by	Approved by - date	Filename	Date	Scale
IP	IP	17/10/16	IP-604025-01	17/10/16	1:10

