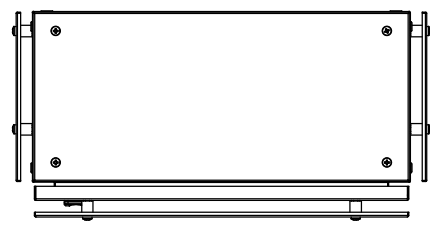
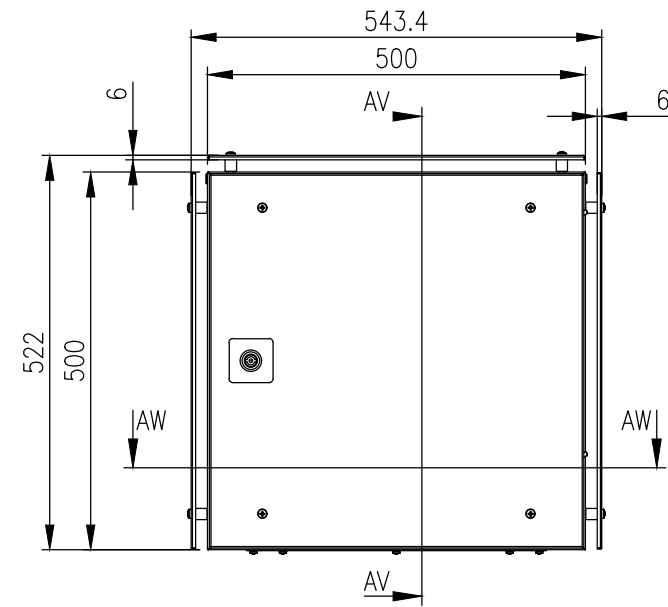


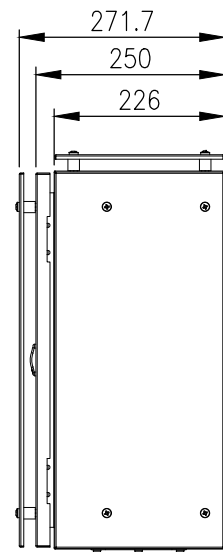
RevNo	Revision note	Date	Signature	Checked
0	GENERAL REVISION		IP	IP



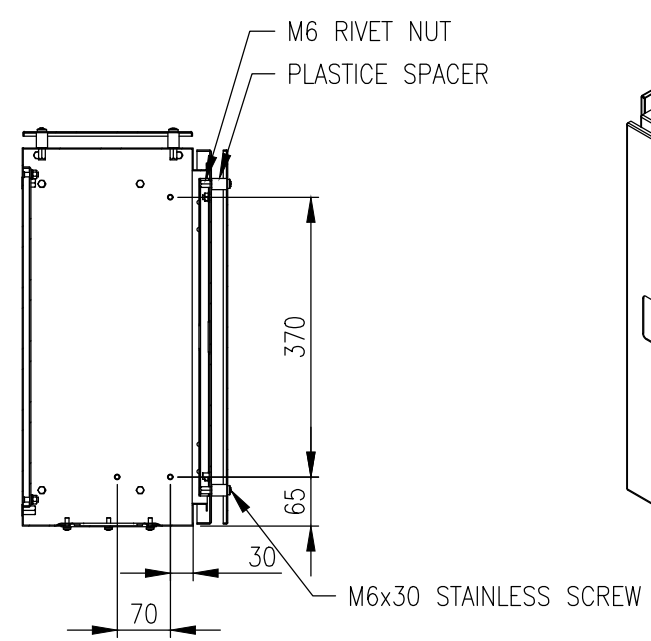
TOP VIEW



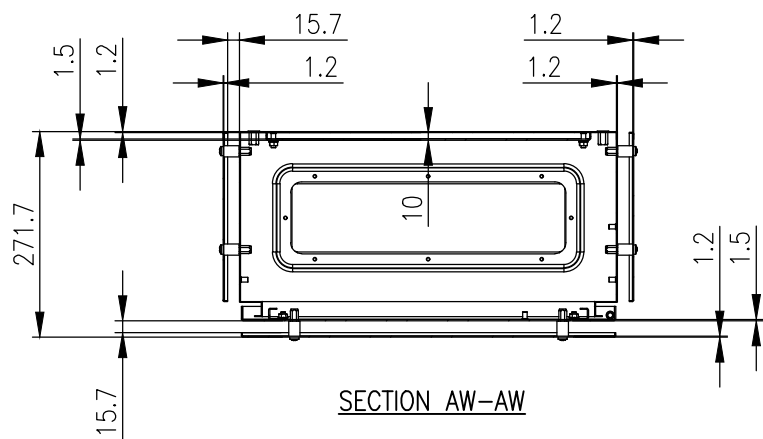
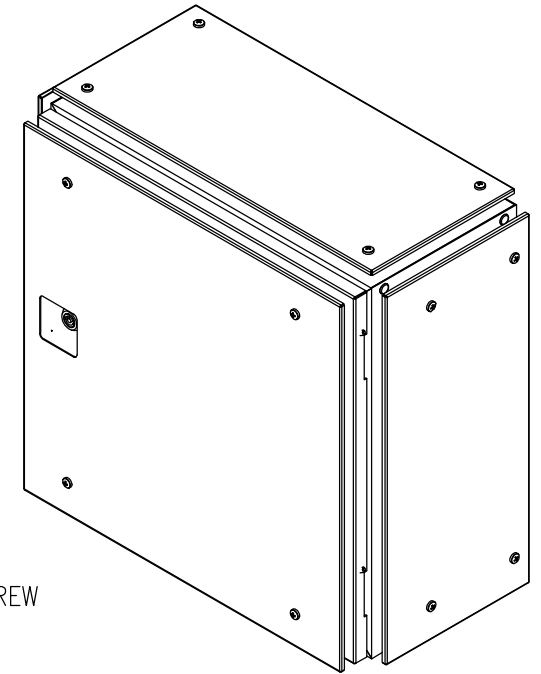
FRONT VIEW



RIGHT SIDE VIEW



SECTION AV-AV



SECTION AW-AW

**MATERIAL**  
 BODY: 1.2mm GALVANISED STEEL SHEET  
 DOOR: 1.5mm GALVANISED STEEL SHEET  
 SUN SHIELDS: 1.2mm GALV. STEEL SHEET with STAINLESS STEEL FASTENERS  
 DEVICE PLATE: 1.5mm GALVANISED STEEL SHEET  
 GLAND PLATE: 1.5mm GALVANISED STEEL SHEET  
 SEAL: POLYURETHANE  
 SURFACE TREATMENT: POWDER-COAT 80-120micron  
 COLOUR: RAL7035 LIGHT GREY

MASS: 20.3Kg.

PROTECTION: IP66 IK10 (NEMA 4)  
 STANDARD: IEC/EN62208, IEC/EN/AS60529

© IP ENCLOSURES 2025.  
 THIS DRAWING SHALL NOT BE COPIED OR REPRODUCED  
 WITHOUT AUTHORISATION FROM IP ENCLOSURES.  
 www.ipenclosures.com.au

Itemref	Quantity	Title/Name, designation, material, dimension etc	Article No./Reference
Designed by IP	Checked by IP	Approved by - date 18/03/25	Filename IP-505025SUN Date 18/03/25 Scale 1:10
		<b>500x500x250 ELECTRICAL ENCLOSURE with SUNSHIELDS</b> IP-505025SUN Edition 0 Sheet 1/1	