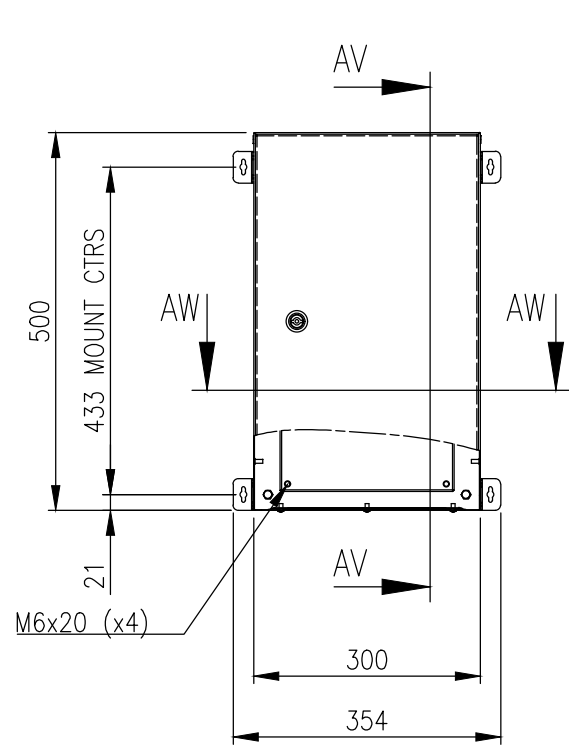
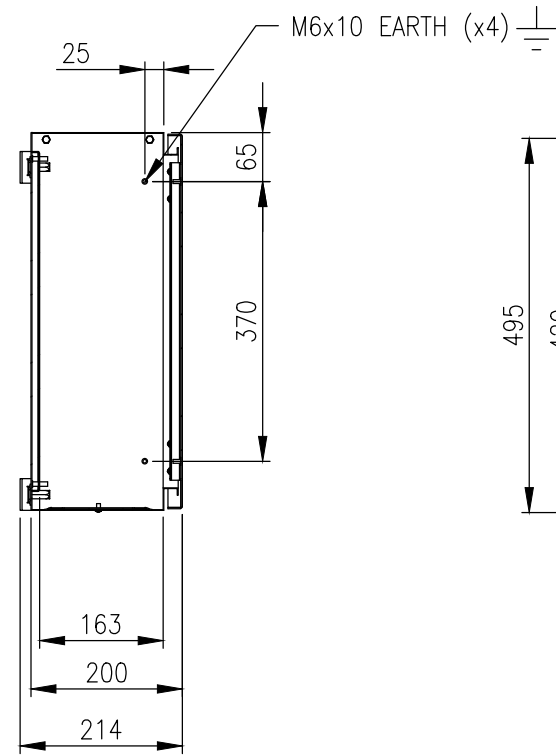


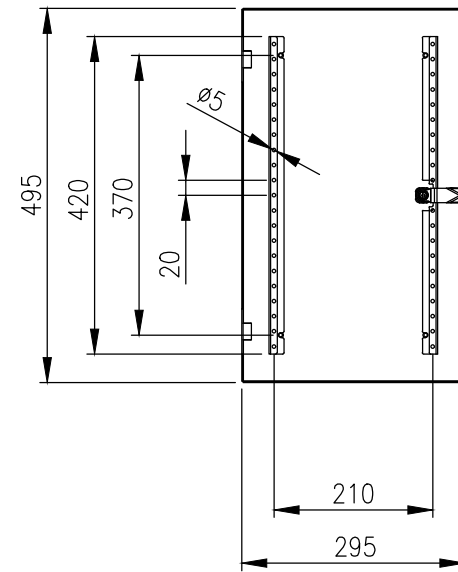
RevNo	Revision note	Date	Signature	Checked
3	GENERAL REVISION	17/02/25	IP	IP



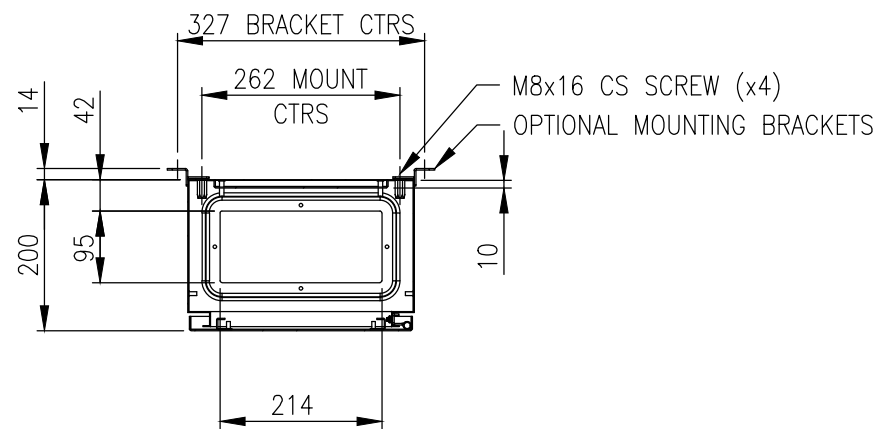
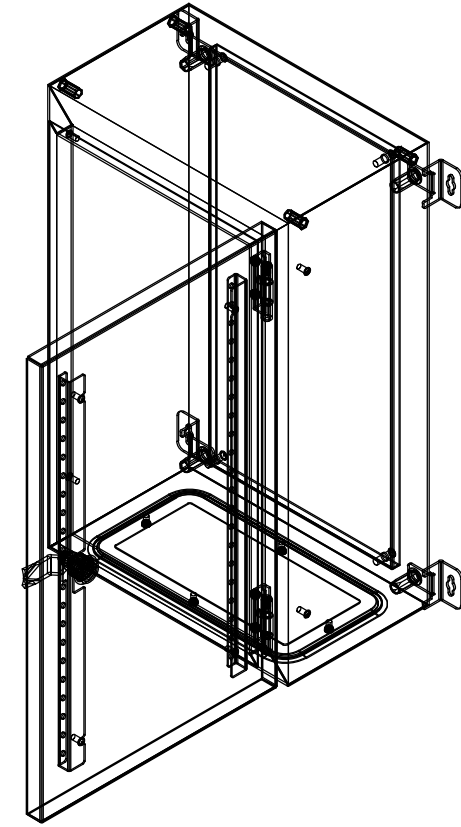
FRONT VIEW



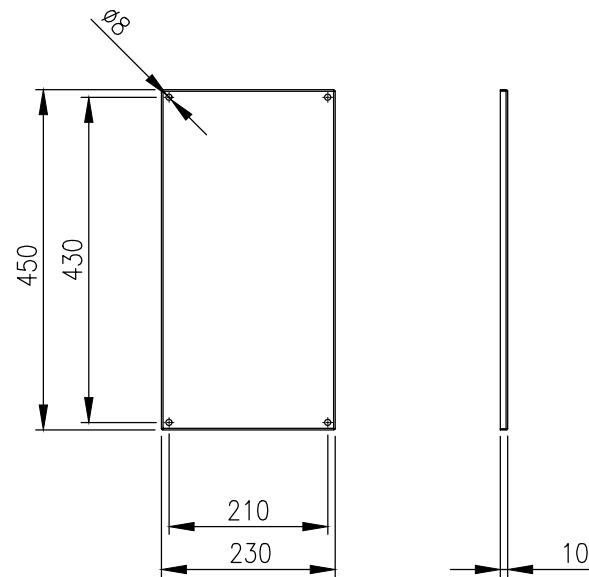
SECTION AV-AV



INSIDE DOOR VIEW



SECTION AW-AW



DEVICE MOUNTING PLATE

**MATERIAL**  
 BODY: 1.2mm GALVANISED STEEL SHEET  
 DOOR: 1.5mm GALVANISED STEEL SHEET  
 DEVICE PLATE: 1.5mm GALVANISED STEEL SHEET  
 GLAND PLATE: 1.5mm GALVANISED STEEL SHEET  
 SEAL: POLYURETHANE  
 SURFACE TREATMENT: POWDER-COAT 80-120micron  
 COLOUR: RAL7035 LIGHT GREY

MASS: 9.0Kg.

PROTECTION: IP66 IK10 (NEMA 4)  
 STANDARD: IEC/EN62208, IEC/EN/AS60529

© IP ENCLOSURES 2016.  
 THIS DRAWING SHALL NOT BE COPIED OR REPRODUCED  
 WITHOUT AUTHORISATION FROM IP ENCLOSURES.  
 www.ipenclosures.com.au

<b>IMPORTANT NOTE:</b>		Itemref	Quantity	Title/Name, designation, material, dimension etc	Article No./Reference
WALL MOUNTING BRACKETS ARE NOT INCLUDED AND MUST BE ORDERED SEPARATELY.		Designed by	Checked by	Approved by - date	Filename
		IP	IP	17/10/16	IP-503020
		Date	Scale	500x300x200 STEEL ENCLOSURE	
		17/10/16	1:10	IP-503020	
		Edition		Sheet	
		3		1/1	

