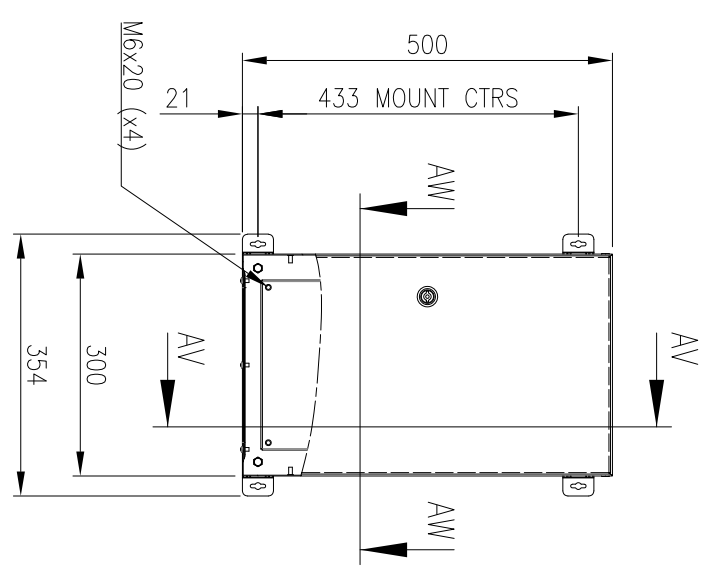
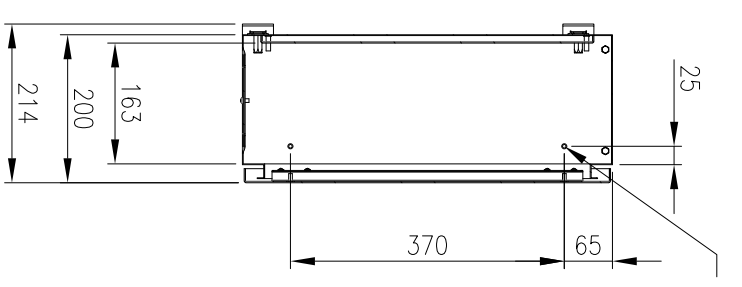


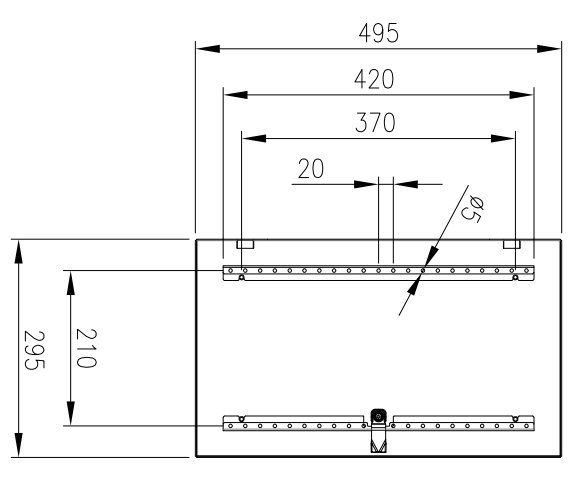
| RevNo | Revision note | Date | Signature | Checked |
|-------|------------------|--------|-----------|---------|
| 1 | GENERAL REVISION | 9/8/17 | IP | IP |



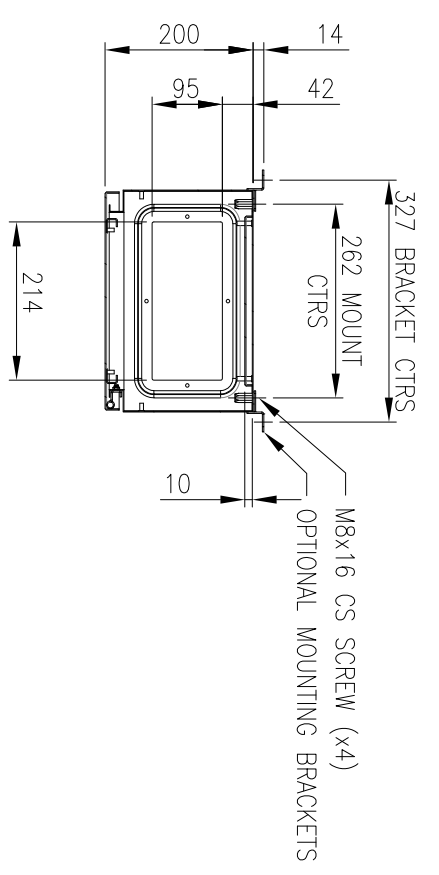
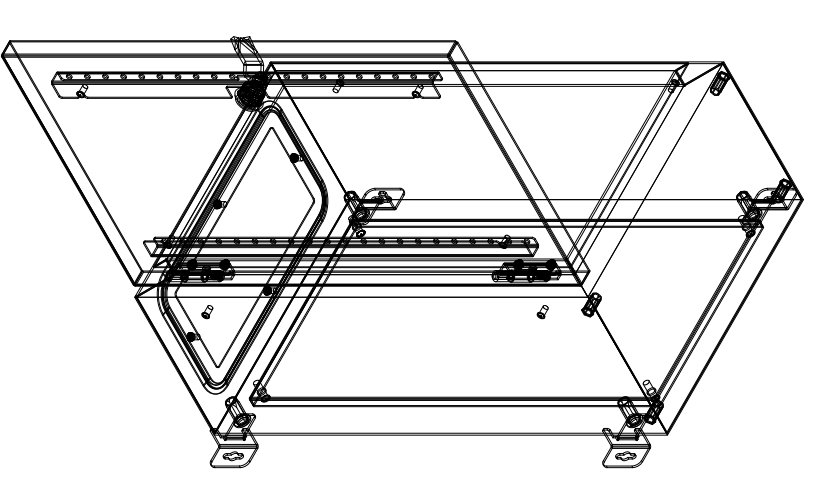
FRONT VIEW



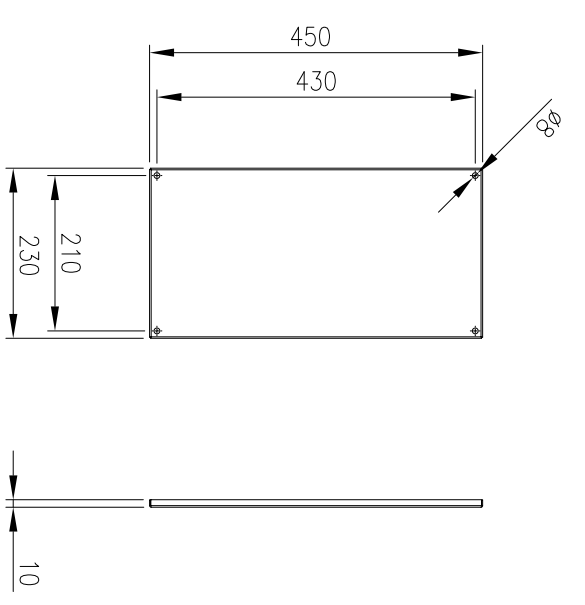
SECTION AV-AV



INSIDE DOOR VIEW



SECTION AW-AW



DEVICE MOUNTING PLATE

MATERIAL
 BODY: 1.2mm GALVANISED STEEL SHEET
 DOOR: 1.5mm GALVANISED STEEL SHEET
 DEVICE PLATE: 1.5mm GALVANISED STEEL SHEET
 SEAL: POLYURETHANE
 SURFACE TREATMENT: POWDER-COAT 80-120micron

MASS: 8.5kg

PROTECTION: IP66 IK10, NEMA4

STANDARD: IEC/EN/AS62208, IEC/EN/AS60529

© IP ENCLOSURES 2016.
 THIS DRAWING SHALL NOT BE COPIED OR REPRODUCED
 WITHOUT AUTHORISATION FROM IP ENCLOSURES.
 www.ipenclosures.com.au

| Item# | Quantity | TradeName, designation, material, dimension etc. | Article No./Reference |
|-------|----------|--|-----------------------|
| IP | 1 | 500x300x200 STEEL ENCLOSURE | IP-503020-01 |

