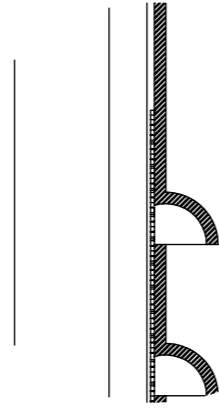
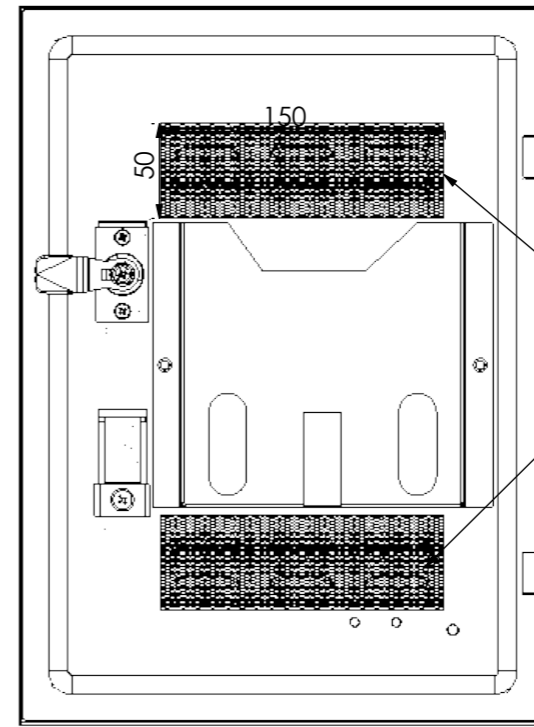
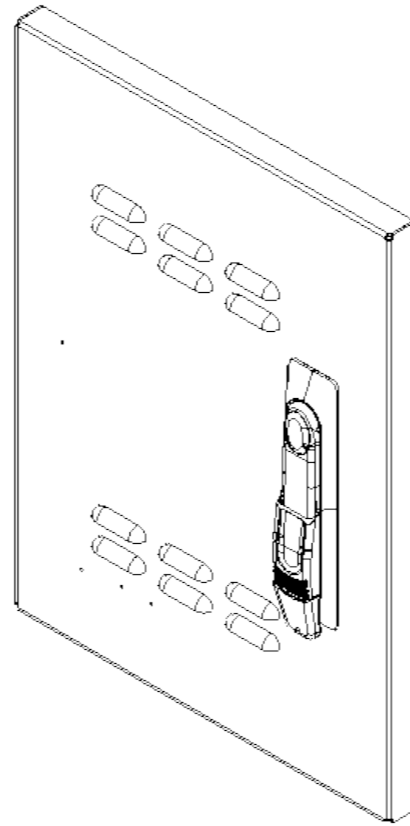
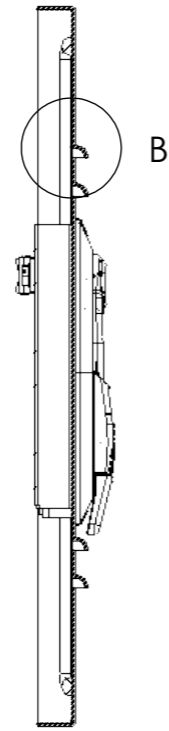


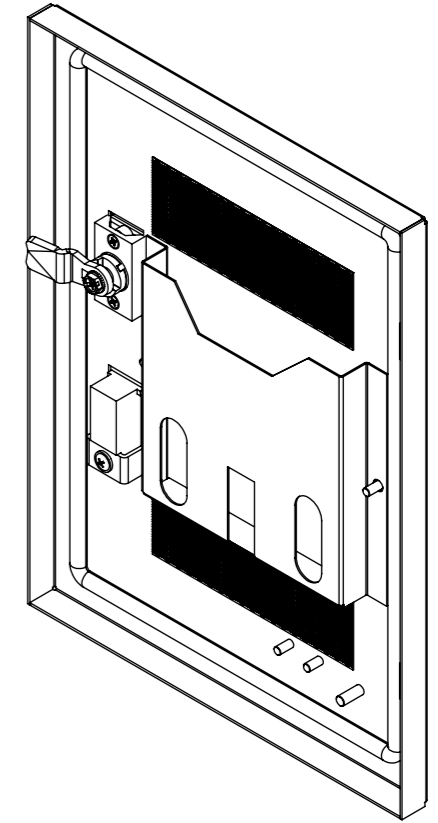
DETAIL B



SECTION A-A
ÖLÇEK 1 : 4



steel wire mesh



		Dimensions in mm SCALE: 1:10	CLIENT		
TOLERANCE/ TOLERANS	(+,-)0,5 MM	MATERIAL	TITLE IP-4535VENTDOOR-T33		
		PAINT CODE	DWG NO		Pag. A4
DESIGNER	ISMAIL BOLAT	SIGNATURE	DATE 9.10.2021		
CHECKED				THICKNESS	SHEET OF