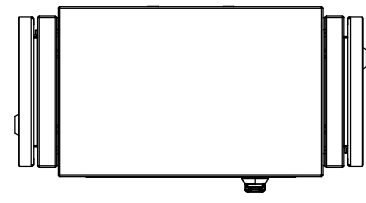
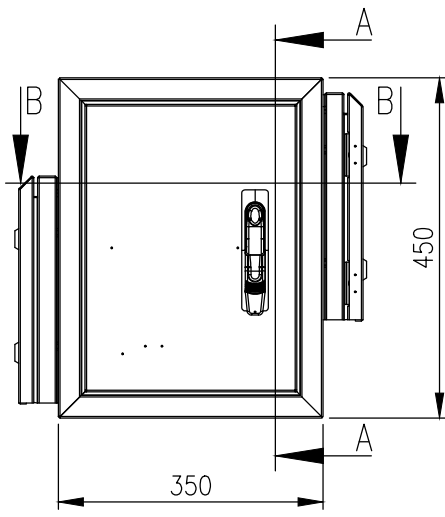


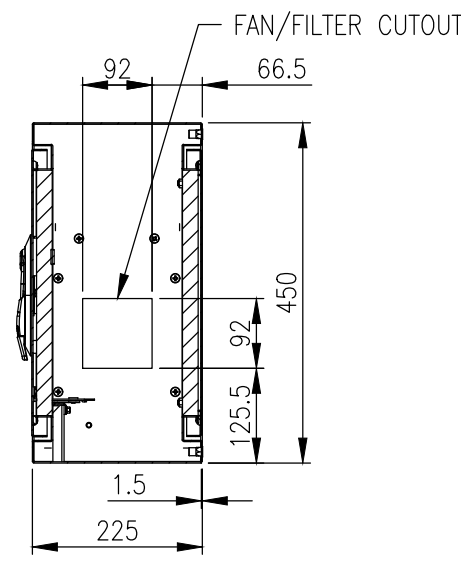
RevNo	Revision note	Date	Signature	Checked
2	GENERAL REVISION	15/04/25	IP	IP



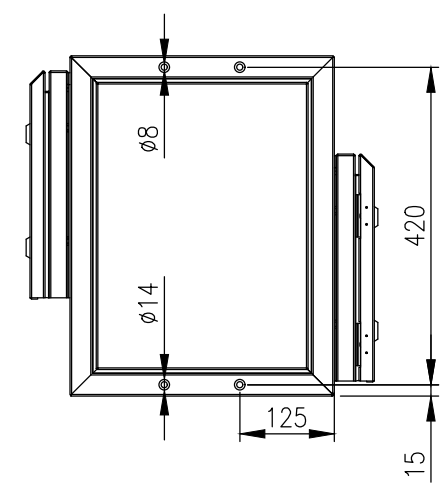
TOP VIEW



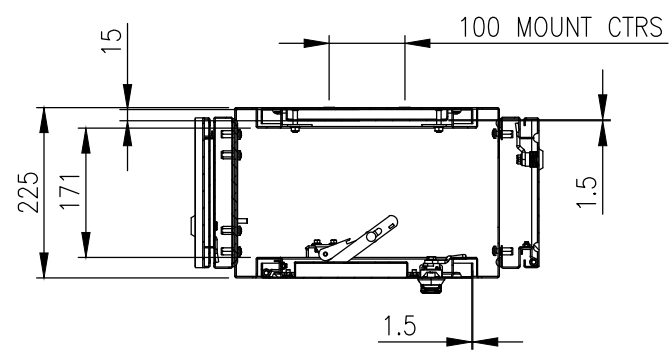
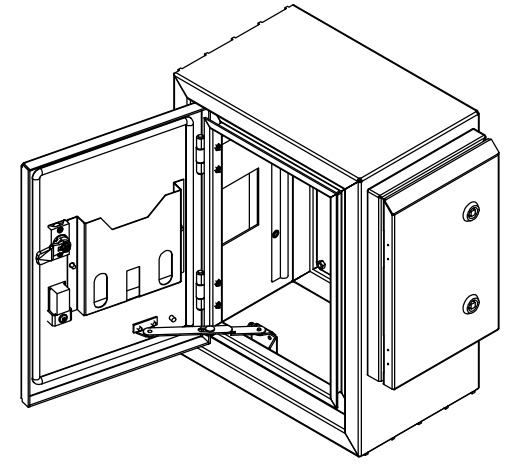
FRONT VIEW



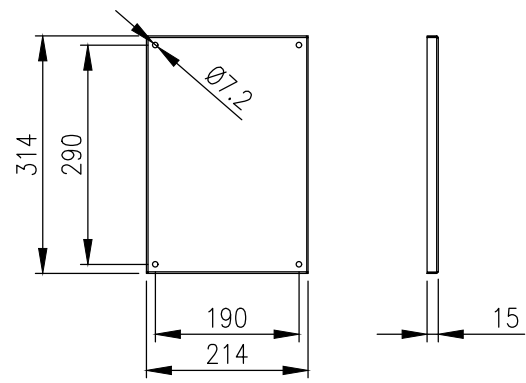
SECTION A-A



REAR VIEW



SECTION B-B



DEVICE MOUNTING PLATE

**MATERIAL**  
 BODY: 1.5mm GALVANISED STEEL SHEET  
 DOOR: 1.5mm GALVANISED STEEL SHEET  
 DEVICE PLATE: 1.5mm GALVANISED STEEL SHEET  
 SEAL: POLYURETHANE  
 SURFACE TREATMENT: POWDER-COAT 80-120micron  
 COLOUR: T33 SMOKE BLUE

MASS: 17.6Kg.

PROTECTION: IP55 IK10  
 STANDARD: IEC/EN62208, IEC/EN/AS60529

© IP ENCLOSURES 2016.  
 THIS DRAWING SHALL NOT BE COPIED OR REPRODUCED  
 WITHOUT AUTHORISATION FROM IP ENCLOSURES.  
 www.ipenclosures.com.au

<b>IMPORTANT NOTE:</b>		Itemref	Quantity	Title/Name, designation, material, dimension etc		Article No./Reference	
POLE MOUNTING BRACKETS ARE NOT INCLUDED AND MUST BE ORDERED SEPARATELY.		Designed by IP	Checked by IP	Approved by - date 15/04/25	Filename IP-654532-T33	Date 15/04/25	Scale 1:10
				<b>IP Enclosures</b>		650x450x325 FIELD CABINET-T33 (VENTILATED)	
				IP-A654532-T33		Edition 2	Sheet 1/1