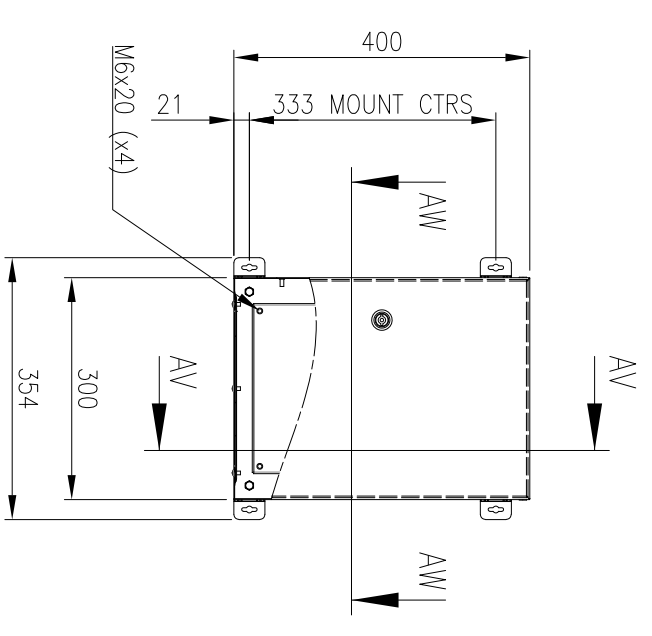
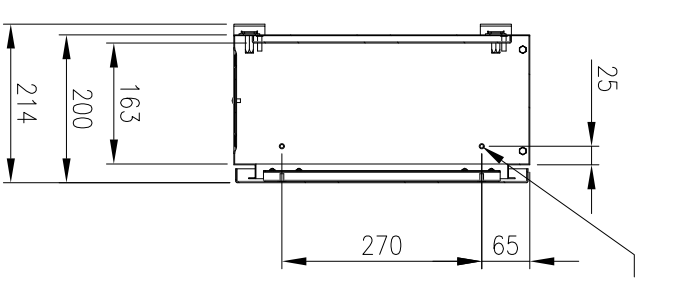


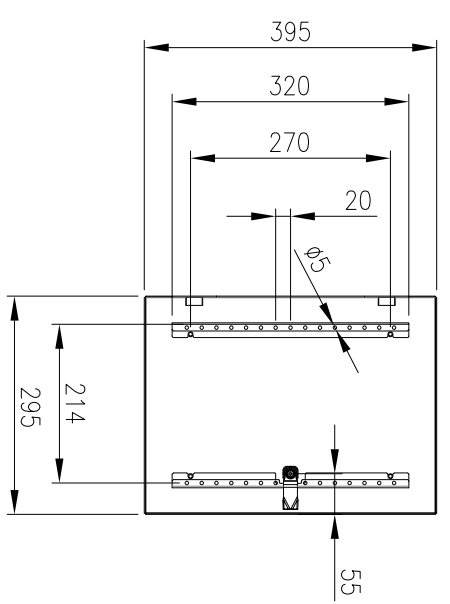
RevNo	Revision note	Date	Signature	Checked
1	GENERAL REVISION	9/8/17	IP	IP



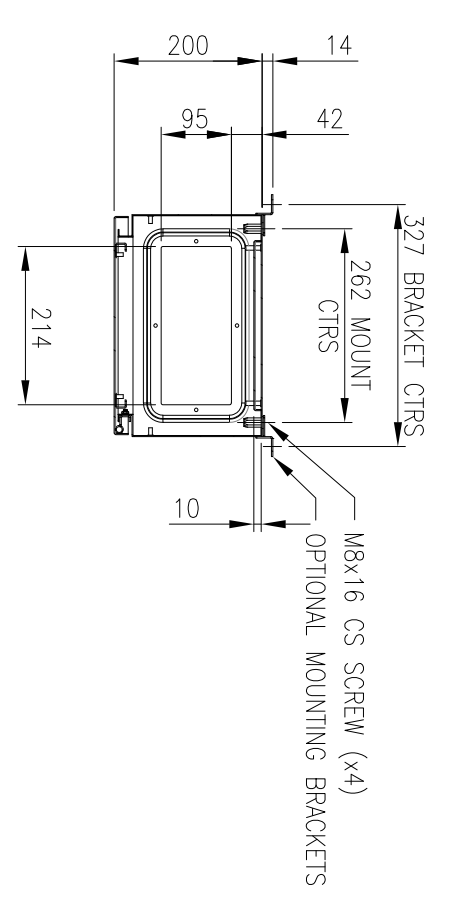
FRONT VIEW



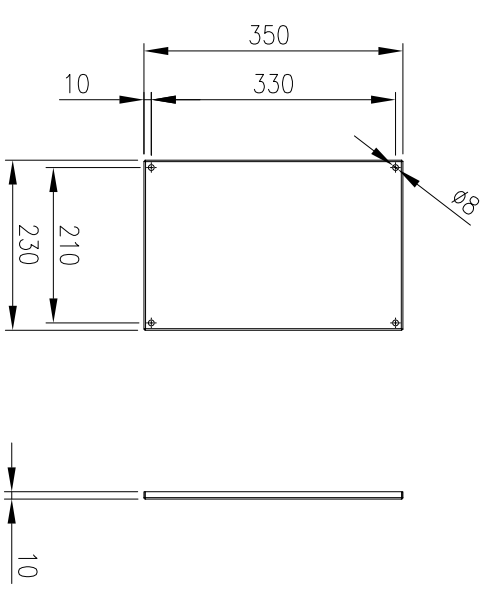
SECTION AV-AV



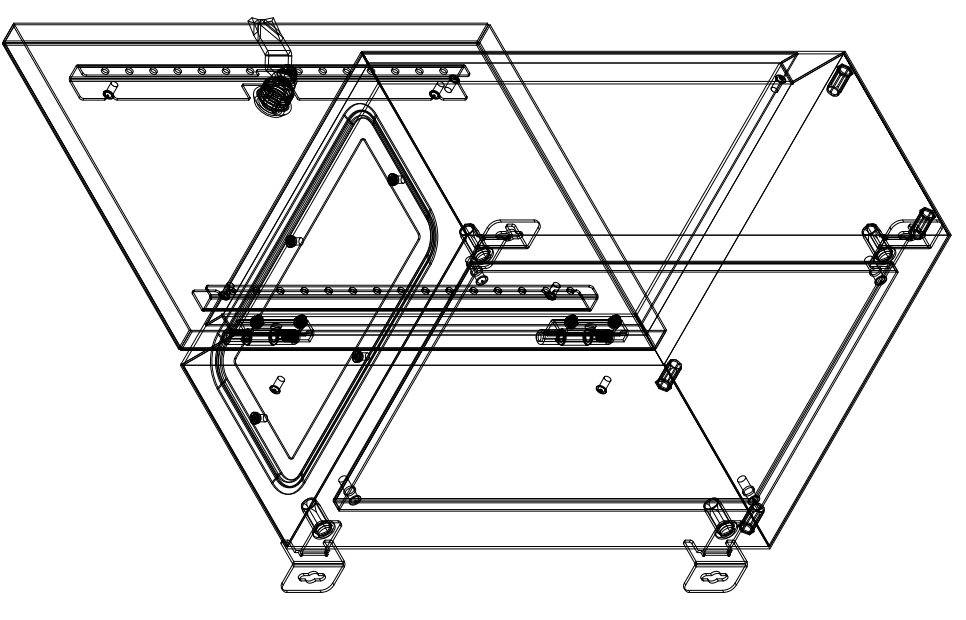
INSIDE DOOR VIEW



SECTION AW-AW



DEVICE MOUNTING PLATE



MATERIAL
 BODY: 1.2mm GALVANISED STEEL SHEET
 DOOR: 1.5mm GALVANISED STEEL SHEET
 DEVICE PLATE: 1.5mm GALVANISED STEEL SHEET
 SEAL: POLYURETHANE
 SURFACE TREATMENT: POWDER-COAT 80-120micron
 MASS: 9.0kg

PROTECTION: IP66 IK10, NEMA4
 STANDARD: IEC/EN/AS62208, IEC/EN/AS60529

© IP ENCLOSURES 2016.
 THIS DRAWING SHALL NOT BE COPIED OR REPRODUCED
 WITHOUT AUTHORISATION FROM IP ENCLOSURES.
 www.ipenclosures.com.au

Item	Quantity	TradeName, designation, material, dimension etc.	Article No./Reference
IP Enclosures			