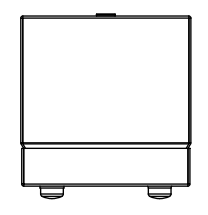
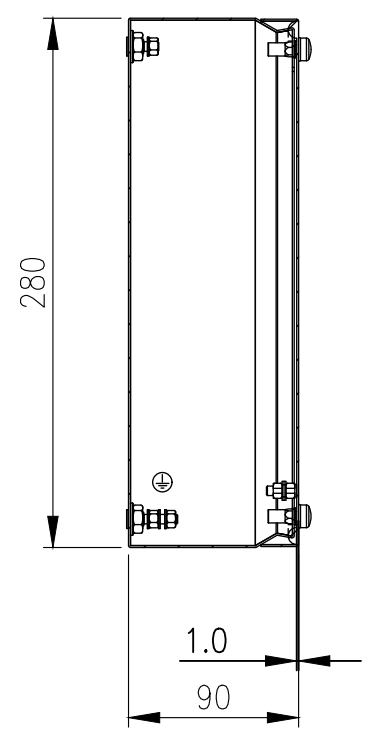


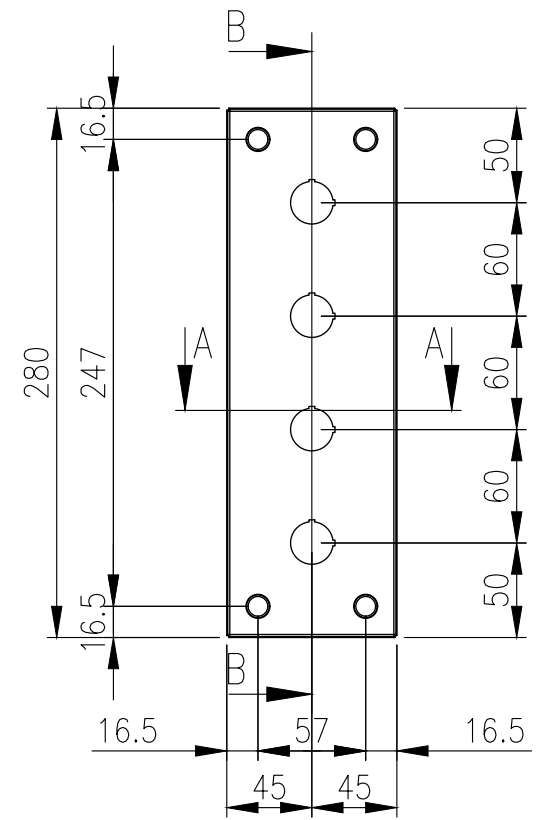
RevNo	Revision note	Date	Signature	Checked
1	GENERAL REVISION	09/05/25	IP	IP



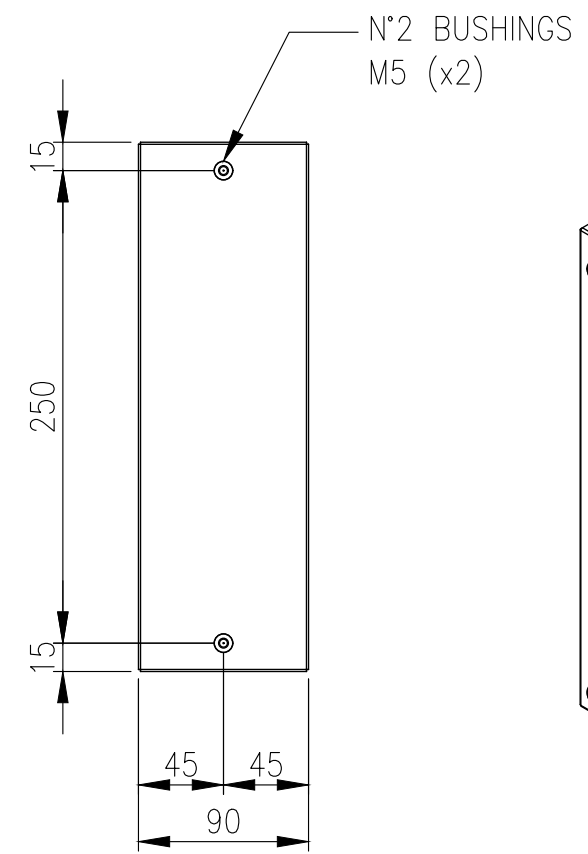
TOP VIEW



SECTION B-B

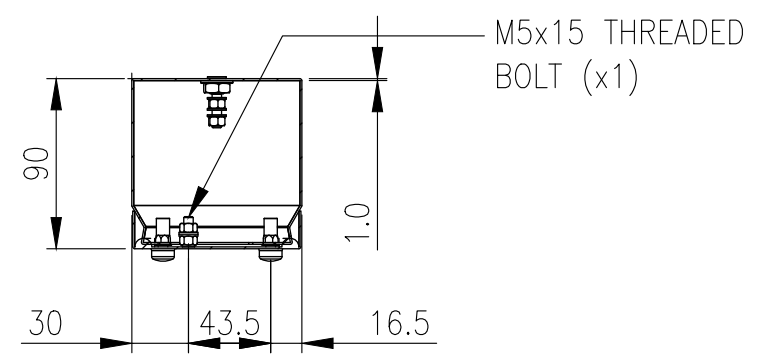
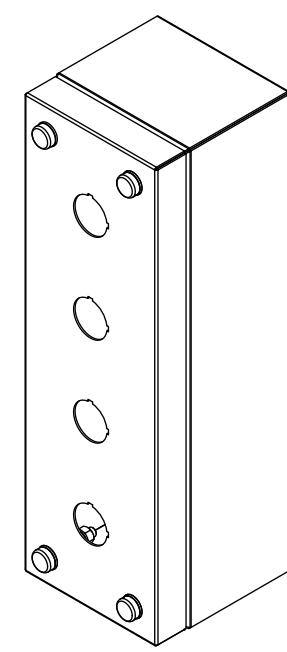


FRONT VIEW



REAR VIEW

N°2 BUSHINGS
M5 (x2)



SECTION A-A

M5x15 THREADED
BOLT (x1)

MATERIAL
 BODY: 1.0mm 304 STAINLESS STEEL
 DOOR: 1.0mm 304 STAINLESS STEEL
 SEAL: SILICONE
 WASHER: NBR 70 (NITRILE BUTADIENE RUBBER)
PROTECTION: IP66, IP67, IP69K, NEMA 4x, UL 508A

© IP ENCLOSURES 2022.
 THIS DRAWING SHALL NOT BE COPIED OR REPRODUCED
 WITHOUT AUTHORISATION FROM IP ENCLOSURES.
 www.ipenclosures.com.au

Itemref	Quantity	Title/Name, designation, material, dimension etc	Article No./Reference
Designed by IP	Checked by IP	Approved by - date 27/07/22	Filename IP-304-P4
Date 27/07/22		Scale 1:4	
Edition 1		Sheet 1/1	
IP Enclosures		280x90x90 304SS PUSHBUTTON BOX	
IP-304-P4			