

# SSP PUSHBUTTONS

# IP-304-P3X2

304 STAINLESS STEEL | IP66, IP67

200H x 200W x 100D

The IP Enclosures SSP Range of grade 304 stainless steel pushbutton enclosures are ideal for use in the harshest environments. The silicon seal gasket is resistant to harsh chemicals. They are available in 1 hole, 2 hole, 4 hole, 6 hole, and 8 hole configurations.

**Protection:** Complies with IP66, IP67, NEMA 4x

**Standard:**     
N° file E534557

**Material:**

- Body: 1.0mm. AISI 304 (Wnr 1.4301) Scotch-brite
- Door: 1.0mm. AISI 304 (Wnr 1.4301) Scotch-brite
- Seal: Silicone

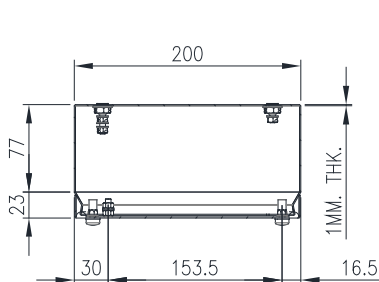
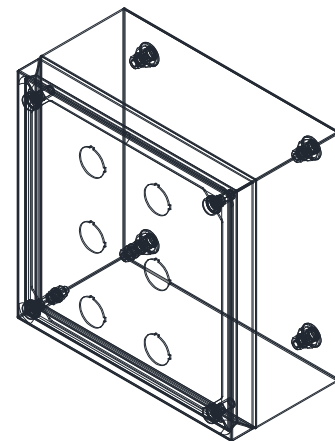
**Surface Finish:**

- 0.2 micron Ra surface Scotch-brite finish.

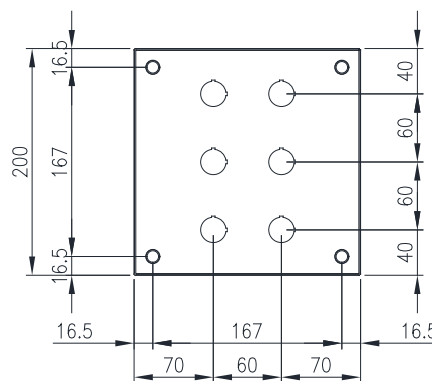
**Body:** The robust body is fabricated using 1.0mm AISI 304 (Wnr 1.4301) Stainless Steel, scotched-brite finish and incorporates a high quality Silicone seal.

**Lid/Door:** The robust detachable blind lid/door is fabricated using 1.0mm AISI 304 (Wnr 1.4301) Stainless Steel, scotched-brite finish and is pre-drilled ready for button installation. The door closing system is done through fastening of M5 screws. The rear part of the door is fastened using M5 bushes.

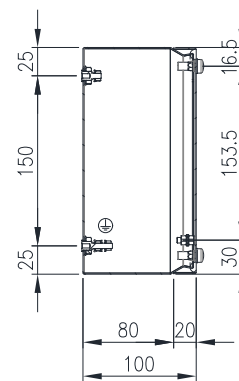
**Seal:** Silicone.



SECTION A-A



FRONT VIEW



SECTION B-B